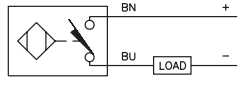
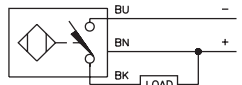
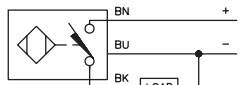


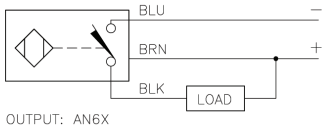
Inductive Sensors



Housing Style	Part Number	ID Number	Features	Sensing Range (mm)	Output
8 mm - Nonembeddable, Miniature Threaded Barrel, Potted-In Cable 	Ni 4-EG08K-AG41X	S4561010	<i>Short Barrel</i>	4	2-Wire DC
	Ni 3-EG08K-AN6X	S4669700	<i>Short Barrel</i>	3	3-Wire DC NPN
	Ni 3-EG08K-AP6X	S4669600	<i>Short Barrel</i>	3	3-Wire DC PNP
	Ni 3-EG08K-Y1	S1003700	<i>Short Barrel</i>	3	2-Wire DC NAMUR
8 mm - Nonembeddable, Miniature Threaded Barrel, Potted-In Cable 	Ni 4-EG08-AG41X	S4561000		4	2-Wire DC
	Ni 3-EG08-AN6X	S4602840		3	3-Wire DC NPN
	Ni 3-EG08-AN6X/S1589	S4602888	<i>weldguard</i>	3	
	Ni 3-EG08-AN7X	S4669759	<i>TTL Compatible</i>	3	
	Ni 4U-EG08-AN6X	S4600610	<i>Uprox</i>	4	
	Ni 3-EG08-AP6X	S4602740		3	3-Wire DC PNP
	Ni 3-EG08-AP6X/S1589	S4602789	<i>weldguard</i>	3	
Ni 4U-EG08-AP6X	S4600600	<i>Uprox</i>	4		

Voltage	Switching Freq. (Hz)	Operating Current (mA)	Operating Temp. (°C)	Protection	Housing	Face	End Cap	Power LED	Output LED	Cable Length/ Cable Mat.	Wiring Diagram #	Wiring Diagrams
10-65 VDC	1000	≤100	-25 to +70	IP 67	SS	PA 12	TROG	N/A	YE	2M/PUR	1	Diagram 1
10-30 VDC	3000	≤150	-25 to +70	IP 67	SS	PA 12	TROG	N/A	YE	2M/PUR	2	
10-30 VDC	3000	≤150	-25 to +70	IP 67	SS	PA 12	TROG	N/A	YE	2M/PUR	3	Diagram 2
5-30 VDC	5000	Remote	-25 to +70	IP 67	SS	PA 12	TROG	N/A	N/A	2M/PVC	4	
10-65 VDC	1000	≤100	-25 to +70	IP 67	SS	PA 12	TROG	N/A	YE	2M/PUR	1	Diagram 3
10-30 VDC	3000	≤150	-25 to +70	IP 67	SS	PA 12	TROG	N/A	YE	2M/PUR	2	
	3000	≤150	-25 to +70	IP 67	SS	WG	TROG	N/A	YE	2M/PUR	2	
	2000	≤150	-25 to +70	IP 67	SS	PA 12	TROG	N/A	YE	2M/PUR	2	
	2000	≤150	-30 to +85	IP 68	SS	PA 12	TROG	N/A	YE	2M/PUR	2	
10-30 VDC	3000	≤150	-25 to +70	IP 67	SS	PA 12	TROG	N/A	YE	2M/PUR	3	Diagram 4
	3000	≤150	-25 to +70	IP 67	SS	WG	TROG	N/A	YE	2M/PUR	3	
	2000	≤150	-30 to +85	IP 68	SS	PA 12	TROG	N/A	YE	2M/PUR	3	

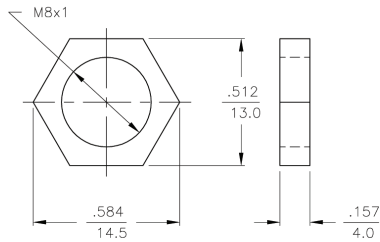
WIRING DIAGRAM



OUTPUT: AN6X

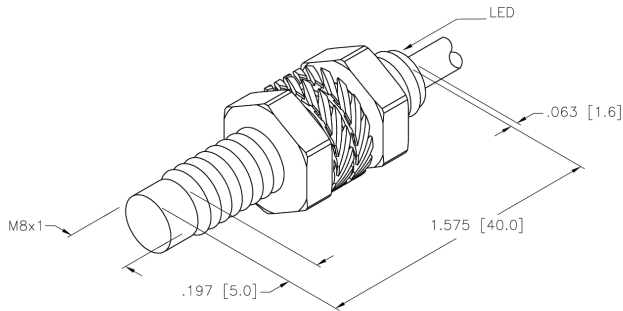
SHORT-CIRCUIT AND OVERLOAD PROTECTED

LOCKNUT LN-M8



SPECIFICATIONS

OPERATING VOLTAGE	10-30 VDC
RIPPLE	≤10%
DIFFERENTIAL TRAVEL (HYSTERESIS)	3-15% (5% TYPICAL)
VOLTAGE DROP ACROSS CONDUCTING SENSOR	≤1.8 V at 150 mA
OUTPUT FUNCTION	NORMALLY OPEN 3-WIRE DC SELF-CONTAINED
TTL COMPATIBLE	NO
SHORT-CIRCUIT PROTECTED	YES
TRIGGER CURRENT FOR OVERLOAD PROTECTION	≥180 mA
CONTINUOUS LOAD CURRENT	≤150 mA
LEAKAGE (OFF-STATE) CURRENT	<10μ A
NO-LOAD CURRENT	8.5-13 mA
TIME DELAY BEFORE AVAILABILITY	≤8 ms
POWER-ON EFFECT PROTECTION	INCORPORATED
REVERSE POLARITY PROTECTION	INCORPORATED
WIRE-BREAK PROTECTION	INCORPORATED
PROTECTION AGAINST TRANSIENTS	EN 60947-5-2
OPERATING TEMPERATURE	-25°C to +70°C (-13°F to +158°F) W/ 10% TEMP. DRIFT -30°C to +85°C (-13°F to +185°F) W/ 15% TEMP. DRIFT
ENCLOSURE	MEETS NEMA 1, 3, 4, 6, 13 AND IEC IP67
SHOCK	30 g, 11 ms
VIBRATION	55 Hz, 1 mm AMPLITUDE (IN ALL 3 PLANES)
LED FUNCTION	YELLOW: OUTPUT ENERGIZED
SENSING RANGE	4.0 mm = .160" (NOMINAL)
SWITCHING FREQUENCY	2000 Hz
REPEATABILITY	≤2% of NOMINAL SENSING RANGE
EMBEDDABLE (SHIELDED)	NO



RELATED DOCUMENTS 1. 2. 3. 4.	3RD ANGLE PROJECTION	THIS DRAWING IS PROPERTY OF TURCK INC. USE OF THIS DOCUMENT WITHOUT WRITTEN PERMISSION IS PROHIBITED.	TURCK INC High Technology Sensors and Automation Controls	
MATERIAL STAINLESS STEEL	TOLERANCES UNLESS OTHERWISE SPECIFIED .X ±0.02 .XX ±0.01 .XXX ±0.005 ANGLES ±1°	DRFT JBK	DATE 3/18/97	DESCRIPTION N14U-EG08-AN6X
FINISH	ALL MILLIMETER DIMENSIONS ARE REFERENCE ONLY	DSGN	SCALE 1=.7	IDENTIFICATION NO. S4600610
B UPDATE TO NEW TITLE BLOCK	RDS 11/04/02 5504	UNIT OF MEASUREMENT INCH [MILLIMETER]		REV B
REV DESCRIPTION	BY DATE ECO NO.	DO NOT SCALE THIS DRAWING		FILE: S4600610 SHEET 1 OF 1