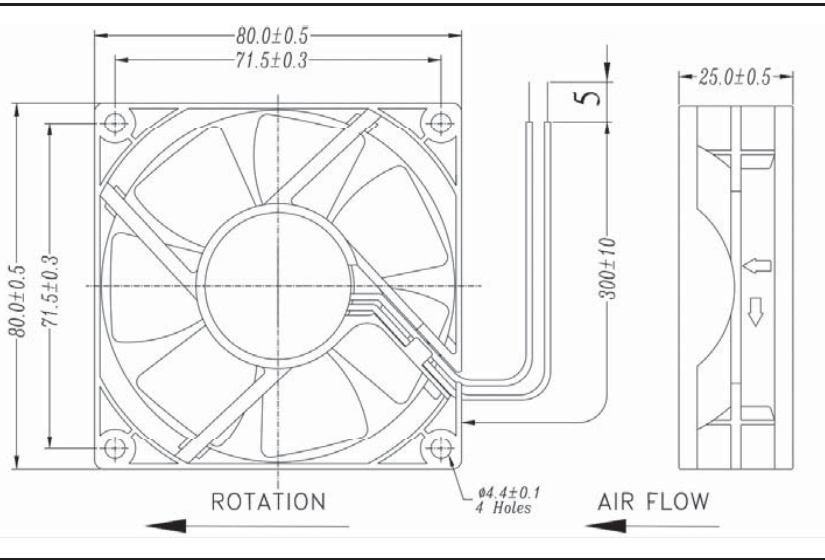


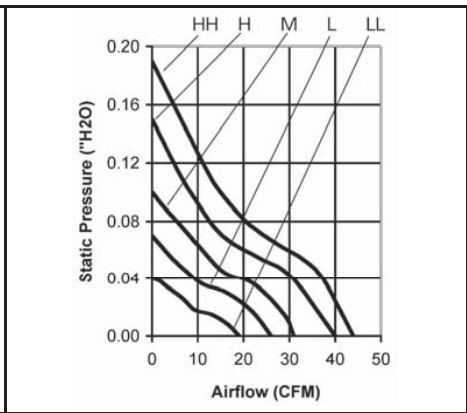


OD8025 Series

DC Fan 80x25mm (3.15"x 1.0")



Frame & Impeller	PBT, UL94V-O plastic	Available Options: Tachometer (FG) Alarm (RD) Thermal Speed Control (Thermistor) PWM Input (Manual Speed Control) Sleeve bearing IP55 48V 5V
Connection	2x Lead wires 24AWG	
Motor	Brushless DC, auto restart, polarity protected	
Bearing System	Dual ball bearing	
Insulation Resistance	10M ohm between leadwire and frame (500VDC)	
Dielectric Strength	1 second at 500 VAC, max leakage - 500 MicroAmp	
Temperature Range	-10C ~ +70C	
Life (L10)	65,000 hours (45C)	



Model Number	Speed (RPM)	Airflow (CFM)	Noise (dB)	Volts DC	Input Power (Watts)	Amps	Max. Static Pressure (H2O)
OD8025-12HHB	3400	44	40	12	3.11	0.26	0.19
OD8025-12HB	3100	40	35	12	2.90	0.25	0.15
OD8025-12MB	2500	31	28	12	1.45	0.15	0.10
OD8025-12LB	2100	26	23	12	0.96	0.08	0.07
OD8025-12LLB	1600	19	15	12	0.49	0.04	0.04
OD8025-24HB	3100	40	35	24	2.41	0.11	0.16
OD8025-24MB	2500	31	28	24	1.67	0.08	0.10
OD8025-24LB	2100	26	23	24	0.96	0.05	0.07