

7 SERIES

- MINIATURE BAYONET NON-GROUNDED OR GROUNDED LAMPHOLDERS
- SOLDER LUG TERMINALS OR PRINTED CIRCUIT BOARD TERMINALS
- ZINC PLATED STEEL SHELL
- MAXIMUM RATING: 10 WATTS, 50 VOLTS

Overview

The 7 Series lampholders are constructed with a zinc plated steel shell and printed circuit board or solder lug terminals. Lampholders can be supplied as either non-grounded or grounded units. Non-grounded are supplied with two tinned solder lug terminals. Grounded units are supplied with one tinned solder lug terminal, unless otherwise noted. Many bracket and mounting options are available including printed circuit board terminals and a 5/8" mounting hole plug button. Lampholders are designed for use in low voltage lamp applications with miniature bayonet lamps.

Specifications

Shell: 3/4" zinc plated steel.

Custom shells also available:

3/4" brass shell. Add **-BR** to the end of a part number. For example, **07-07** changes to **07-07-BR** for brass shell.

Low Profile "J" Shell: zinc plated steel, 1/2" shell height. Add **J** to end of base part number. For example, **07-07-1** changes to **07-07J-1** for low profile shell with 1/2" height.

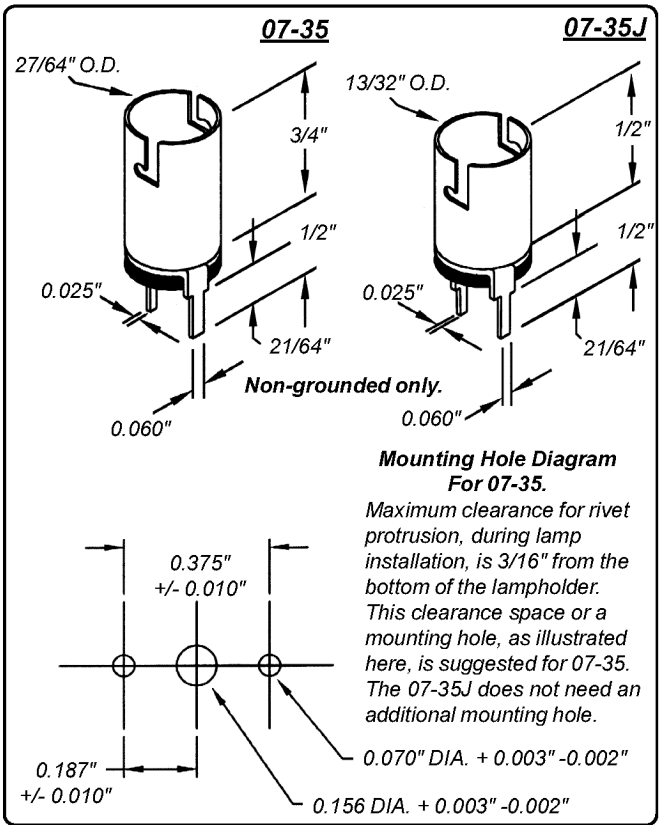
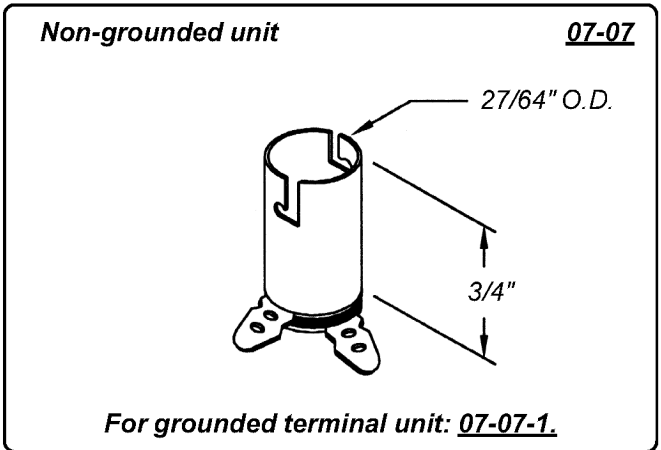
Terminals:

Solder Lug: solder coated steel, 0.250" length x 0.020" thick, 60°-90° apart with two wire holes 3/32" in diameter. Non-grounded units are supplied with two terminals. Grounded units are supplied with one terminal.

Printed circuit board terminals: electro tinned steel.

Mounting brackets: 0.025" to 0.032" zinc plated steel. Custom brackets and plating types are available.

Maximum rating: 10 Watts, 50 Volts.



7 Series

**Maximum Rating: 10 Watts, 50 Volts
Non-Grounded or Grounded**

**Zinc Plated Steel Shell
Solder Lug Terminals or
Printed Circuit Board Terminals**

