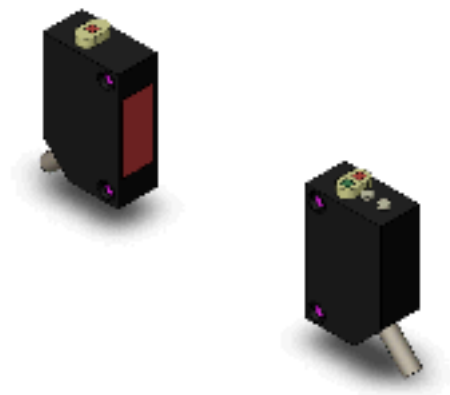


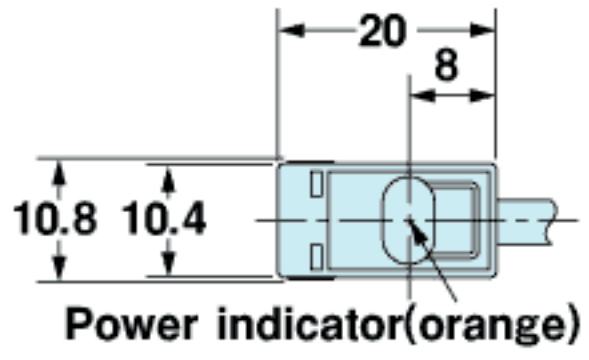
E3Z-LT61 2M



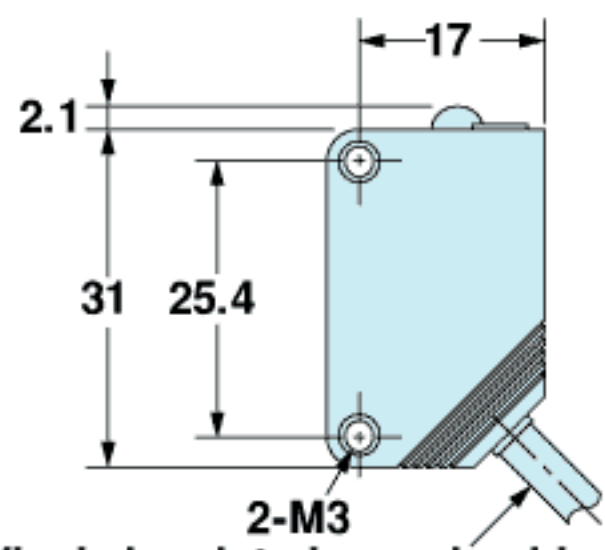
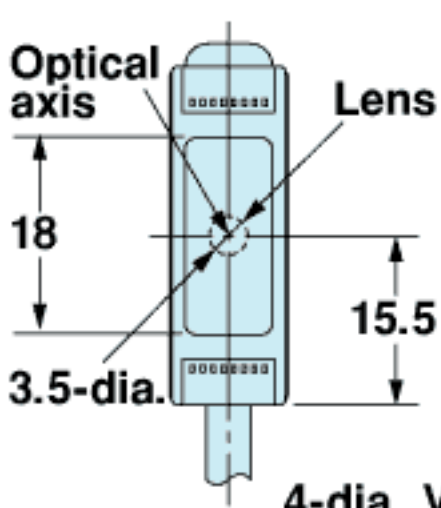
Sensing method	Through-beam
Sensing distance	0 m to 60 m
Spot size	5mm dia. Max. (At sensing distance of 3m)
Standard sensing object	Opaque: 12 mm dia. Min.

Minimum sensing object	6 mm dia. Min. (at sensing distance 3m)
Directional angle	Receiver:3 to 15 DEG
Light source	Semiconductor laser diode(red) (655nm)
Classification of laser	IEC: CLASS 1 FDA: CLASS 2 JIS: CLASS 1
Power supply voltage	12 to 24 VDC -10% to 10% (ripple(p-p) :10% Max.)
Current consumption	Emitter: 15mA DC Max., Receiver: 20mA DC Max.
Control output (Output type)	NPN open collector output
Control output (Load current)	0 to 100 mA
Control output (Residual voltage)	(DC) 1 V Max. (Load current: Less than 10mA) (DC) 2 V Max. (Load current: 10 to 100 mA)
Operation mode	Light-ON/Dark-ON selectable
Load power supply voltage	26.4 VDC Max.
Protective circuit	Surge suppressor Output short-cut protection Output reverse polarity protection Power supply reverse polarity protection
Response time	1 ms Max.
Sensitivity setting	Single-turn adjustment
Ambient illuminance	Incandescent lamp:3000 lux Max., Sunlight:10000 lux Max.
Ambient temperature	Operating: -10 to 55 CEL Storage: -25 to 70 CEL (with no icing or condensation)
Ambient humidity	Operating: 35 to 85 %RH Storage: 35 to 95 %RH (with no condensation)
Insulation resistance	20 M OHM Min. at 500 VDC between charged parts and the case
Dielectric strength	1000 VAC at 50/60 Hz for 1 minute between charged parts and the case
Vibration resistance	10 to 55 Hz, 1.5-mm double amplitude for 2 hours each in X, Y, and Z directions
Shock resistance	500m/s ² for 3 times each in X, Y, and Z directions
Degree of protection	IEC60529: IP67
Applicable standard (EC Directive (Low Voltage Directive))	EN60947-5-2
Applicable standard (EC Directive (EMC Directive))	EMI: EN60947-5-2 Emission Enclosure: EN55011 Group 1 classA EMS: EN60947-5-2 Immunity ESD: IEC61000-4-2 Immunity RF-interference: IEC61000-4-3 Immunity Burst: IEC61000-4-4 CE marking: Equipped
Connection method	Pre-wired models (Cable length: 2 m)
Indicator	Operation indicator(orange), Stability indicator(green), Power indicator(orange)
Weight (packed state)	approx. 120 g
Tightening torque	0.5 N.m Max. (with M3 screw)
Material (case)	PBT
Material (lens)	Denatured polyarylate
Accessories	Instruction manual

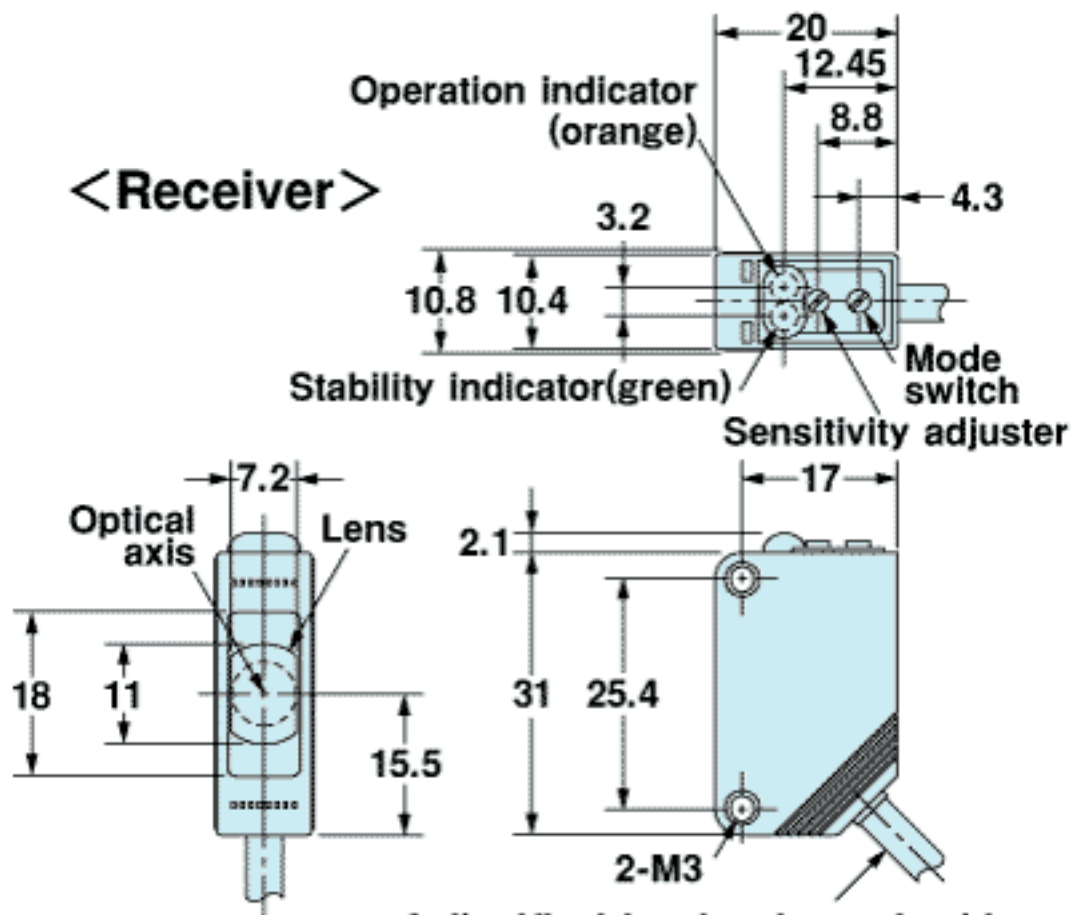
<Emitter>



Power indicator(orange)



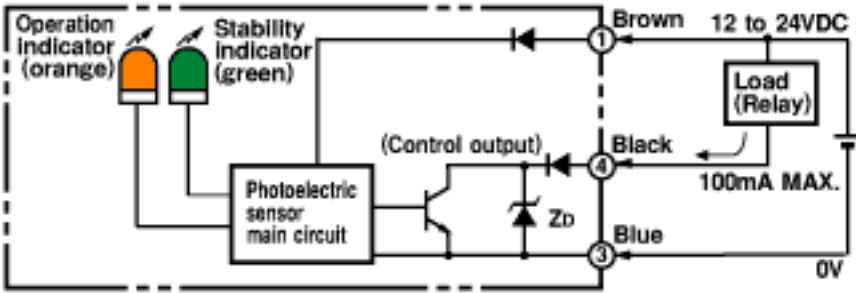
**4-dia. Vinyl -insulated round cable
with 2 conductors
(conductor cross section:0.2mm²,
insulator diameter: 1.1mm)
Standard length: 2m**



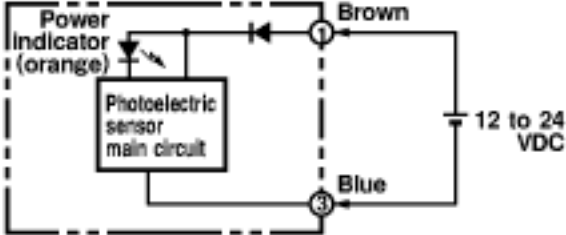
4-dia. Vinyl-insulated round cable
with 3 conductors
(conductor cross section: 0.2mm²,
insulator diameter: 1.1mm)
Standard length: 2m

Caution: All units are in millimeters unless otherwise indicated.

<Receiver>



<Emitter>



**M12 Connector
Pin Arrangement**



**M8 Connector
Pin Arrangement**



**M8(3-pin) Connector
Pin Arrangement**



Note. Receiver: Pin ② is not used.
Emitter: Pin ② and ④ are not used.

e-CON Connector Pin Arrangement

