



Contact Factory for more information.

## Features

- Rugged, cost-effective and easy-to-install indicators available in K50, K50 Flat Pack, or K80 housing style
- Displays 5 colors and multiple flashing frequencies: Steady ON, flashing or alternating
- Illuminated dome provides easy-to-see operator guidance and indication of equipment status
- Compact devices are completely self-contained — no controller needed
- Choose NPN or PNP input, depending on model
- Immune to ambient light, EMI and RFI interference
- 18 to 30V dc operation

## Models

| Model         | Construction                                       | Connection*   | LED Function**  | Inputs |
|---------------|--|---------------|---|--------|
| K50LGRYBWPQ8  | 50 mm dome/<br>30 mm mount<br>polycarbonate        | 8-pin Euro QD | <b>5 Color:</b><br>Choose Green, Red, Yellow,<br>Blue or White ON, flashing or<br>alternating | PNP    |
| K50LGRYBWNQ8  |  |               |   | NPN    |
| K50FLGRYBWPQ8 | 50 mm polycarbonate<br>dome/ polycarbonate<br>base |               |   | PNP    |
| K50FLGRYBWNQ8 |  |               |   | NPN    |
| K80LGRYBWPQ8  | 50 mm dome/<br>Flat or DIN-mount<br>polycarbonate  |               |   | PNP    |
| K80LGRYBWNQ8  |  |               |   | NPN    |

\* **K50L and K50FL Models:** Integral QD models are listed. For 150 mm PVC pigtail with QD, replace **Q** with **QP** in model number (example, **K50LGRYBWPQP8**). For 2 m (6.5') cable, omit suffix **Q** from model number (example, **K50LGRYBWP**). A model with a QD requires a mating cable (see page5)

**K80L Models:** For terminal-wired models, omit suffix **Q** from model number (example, **K80LGRYBWP**).

\*\* Contact factory for other colors and color combinations.

### **WARNING . . . Not To Be Used for Personnel Protection**


Never use these products as sensing devices for personnel protection. Doing so could lead to serious injury or death.

These sensors do NOT include the self-checking redundant circuitry necessary to allow their use in personnel safety applications. A sensor failure or malfunction can cause either an energized or de-energized sensor output condition. Consult your current Banner Safety Products catalog for safety products which meet OSHA, ANSI and IEC standards for personnel protection.

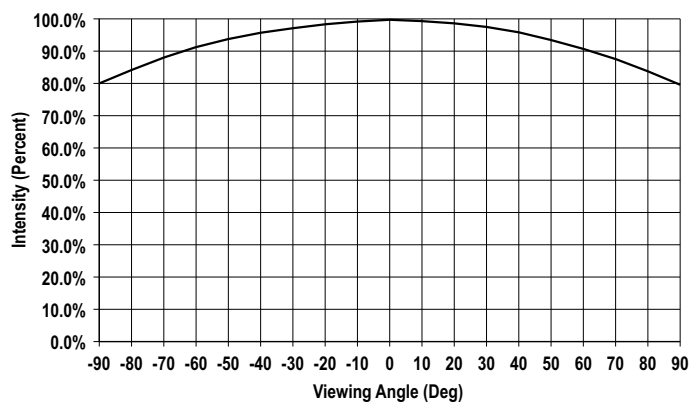


# EZ-LIGHT™ Indicators - 5-Color, Multi-Function

## Specifications

|                                   |   |
|-----------------------------------|---|
| <b>Supply Voltage and Current</b> | 18 to 30V dc @ 50 mA max.   |
| <b>Indicators</b>                 | LEDs are independently selected: Green, Red, Yellow, Blue or White, ON steady or flashing, alternating or rotating  |
| <b>Input Response Time</b>        | Indicator ON: 250 ms (max.); Indicator OFF: 10 ms (max.)  |
| <b>Indicator Flash Rate</b>       | <b>1-Color:</b> 1 second flash rate (500 ms ON)<br><b>2, 3 and 5-Color Flash:</b> 500 ms per color  |
| <b>Environmental Rating</b>       | <b>K50L and K50FL Models:</b> Fully encapsulated, IEC IP67<br><b>K80L Models:</b> IEC IP67 (encapsulated electronics)   |
| <b>Connections</b>                | Integral 8-pin Euro-style QD, 150 mm PVC pigtail with QD, or 2 m (6.5') integral cable, depending on model<br><b>K80L Models:</b> Terminal-wired models for use with bulk cable available |
| <b>Operating Conditions</b>       | -40° to +50° C (-40° to +122° F)  |
| <b>Certifications</b>             |    |

## Percent of Maximum Intensity vs Viewing Angle



# EZ-LIGHT™ Indicators - 5-Color, Multi-Function

## Hookups

| Function                  | PNP Hookup | NPN Hookup | Wiring Diagram  |
|---------------------------|------------|------------|---|
| Green steady              |            |            | <p><b>PNP</b></p> <p><b>NPN</b></p> <p><b>Wiring Key:</b><br/>                     1 = White<br/>                     2 = Brown (not used)<br/>                     3 = Green<br/>                     4 = Yellow<br/>                     5 = Gray (not used)<br/>                     6 = Pink<br/>                     7 = Blue<br/>                     8 = Red</p> |
| Green flashes             |            |            |   |
| Red steady                |            |            |   |
| Red flashes               |            |            |   |
| Yellow steady             |            |            |   |
| Yellow flashes            |            |            |   |
| Blue steady               |            |            |   |
| Blue flashes              |            |            |   |
| White steady              |            |            |   |
| White flashes             |            |            |   |
| Green, Red flash cycle    |            |            |   |
| Green, Yellow flash cycle |            |            |   |
| Green, Blue flash cycle   |            |            |   |
| Green, White flash cycle  |            |            |   |
| Red, Yellow flash cycle   |            |            |   |
| Red, Blue flash cycle     |            |            |   |
| Red, White flash cycle    |            |            |   |

# EZ-LIGHT™ Indicators - 5-Color, Multi-Function

## Hookups (continued)

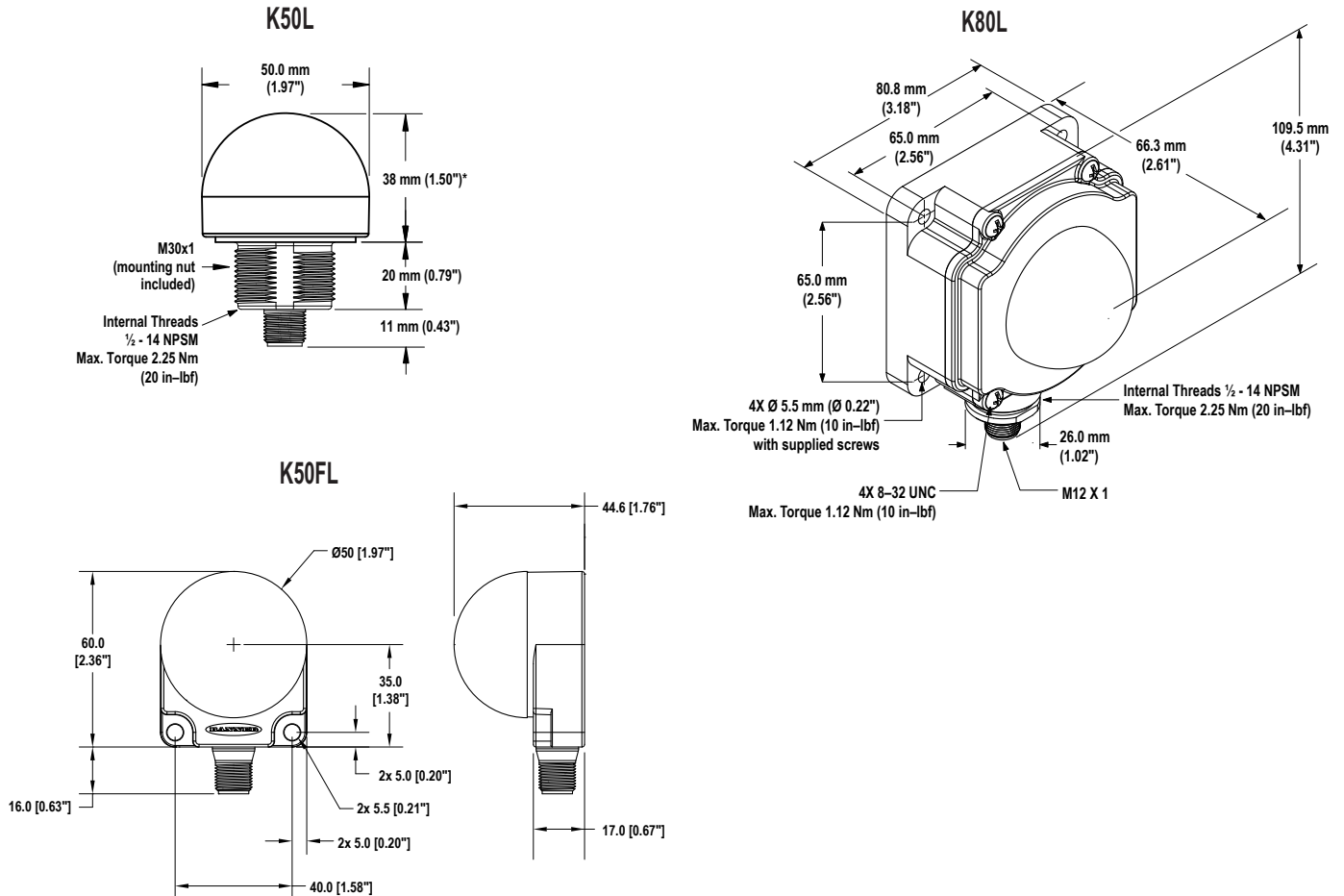
| Function                         | PNP Hookup | NPN Hookup | Wiring Diagram |
|----------------------------------|------------|------------|----------------|
| Yellow, Blue flash cycle         |            |            |                |
| Yellow, White flash cycle        |            |            |                |
| Blue, White flash cycle          |            |            |                |
| Green, Red, Yellow flash cycle   |            |            |                |
| Green, Red, Blue flash cycle     |            |            |                |
| Green, Red, White flash cycle    |            |            |                |
| Green, Yellow, Blue flash cycle  |            |            |                |
| Green, Yellow, White flash cycle |            |            |                |
| Green, Blue, White flash cycle   |            |            |                |
| Red, Yellow, Blue flash cycle    |            |            |                |
| Red, Yellow, White flash cycle   |            |            |                |

# EZ-LIGHT™ Indicators - 5-Color, Multi-Function

## Hookups (continued)

| Function                                    | PNP Hookup | NPN Hookup | Wiring Diagram |
|---|------------|------------|----------------|
| Red, Blue, White flash cycle                |            |            |                |
| Yellow, Blue, White flash cycle             |            |            |                |
| Green, Red, Yellow, Blue, White flash cycle |            |            |                |

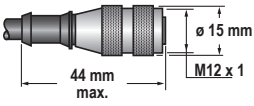
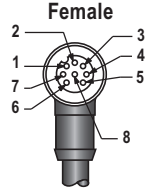
## Dimensions



# EZ-LIGHT™ Indicators - 5-Color, Multi-Function





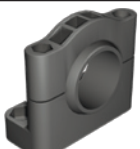


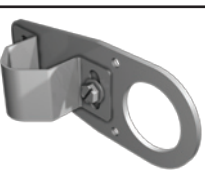

## Accessories

### Quick-Disconnect (QD) Cables

| Style   | Model   | Length                               | Dimensions   | Pinout  |
|---|---|--------------------------------------|--|---|
| 8-Pin Euro-Style<br>Cables with Open-<br>Shield | <b>MQDC2S-806</b><br><b>MQDC2S-815</b><br><b>MQDC2S-830</b> | 2 m (6.5')<br>5 m (15')<br>9 m (30') |  | <p><b>Female</b></p>  <p>1 = White    5 = Gray<br/>2 = Brown    6 = Pink<br/>3 = Green    7 = Blue<br/>4 = Yellow    8 = Red</p> |

# EZ-LIGHT™ Indicators - 5-Color, Multi-Function

## Mounting Brackets\*

| K80L  |   |                   |
|---|---|-------------------|
|    | <ul style="list-style-type: none"> <li>• Black reinforced thermoplastic</li> <li>• Bracket for mounting on 35 mm DIN rail</li> </ul>  | <b>SMBDX80DIN</b> |
| K50L  |   |                   |
|    | <ul style="list-style-type: none"> <li>• 12-ga. stainless steel right-angle mounting bracket with curved slot for versatile orientation</li> <li>• Clearance for M6 (1/4") hardware</li> </ul>  | <b>SMB30A</b>     |
|    | <ul style="list-style-type: none"> <li>• 30 mm 12-ga. stainless steel bracket with curved mounting slots for versatile orientation</li> <li>• Clearance for M6 (1/4") hardware</li> <li>• Articulation slots for 90°+ rotation</li> </ul>                             | <b>SMB30MM</b>    |
|   | <ul style="list-style-type: none"> <li>• 12-ga. 300 series stainless steel</li> <li>• Right-angle SMBAMS series bracket with 30 mm hole for mounting sensors</li> <li>• Articulation slots for 90°+ rotation</li> </ul>   | <b>SMBAMS30RA</b> |
|  | <ul style="list-style-type: none"> <li>• 30 mm swivel bracket</li> <li>• Black reinforced thermoplastic polyester</li> <li>• Includes stainless steel mounting and swivel locking hardware</li> </ul>   | <b>SMB30SC</b>    |
|  | <ul style="list-style-type: none"> <li>• 12-ga. 300 series stainless steel</li> <li>• Right-angle bracket with 30 mm hole for mounting sensors</li> <li>• Attachment clamp allows 360° rotation</li> <li>• Threaded rod through-mounts to mounting surface</li> </ul> | <b>SMB30FA</b>    |
|  | <ul style="list-style-type: none"> <li>• 12-ga. 300 series stainless steel</li> <li>• Flat SMBAMS series bracket with 30 mm hole for mounting sensors</li> <li>• Articulation slots for 90°+ rotation</li> </ul>  | <b>SMBAMS30P</b>  |
|  | <ul style="list-style-type: none"> <li>• V-clamp, straight bracket and fasteners for mounting sensors to pipe or extrusions</li> <li>• Clamp accommodates 28 mm dia. tubing or 1" square extrusions</li> <li>• 30 mm hole for mounting sensors</li> </ul>             | <b>SMB30FVK</b>   |
|  | <ul style="list-style-type: none"> <li>• V-clamp, right-angle bracket and fasteners for mounting sensors to pipe or extrusions</li> <li>• Clamp accommodates 28 mm dia. tubing or 1" square extrusions</li> <li>• 30 mm hole for mounting sensors</li> </ul>          | <b>SMB30RAVK</b>  |

\* K50FL models include a 48 mm (1.9") circular velcro mounting kit for easy mounting with no additional hardware

# EZ-LIGHT™ Indicators - 5-Color, Multi-Function

---



**WARRANTY:** Banner Engineering Corp. warrants its products to be free from defects for one year. Banner Engineering Corp. will repair or replace, free of charge, any product of its manufacture found to be defective at the time it is returned to the factory during the warranty period. This warranty does not cover damage or liability for the improper application of Banner products. This warranty is in lieu of any other warranty either expressed or implied.

P/N 131413 rev. A

Banner Engineering Corp., 9714 Tenth Ave. No., Minneapolis, MN USA 55441 • Phone: 763.544.3164 • [www.bannerengineering.com](http://www.bannerengineering.com) • Email: [sensors@bannerengineering.com](mailto:sensors@bannerengineering.com)