



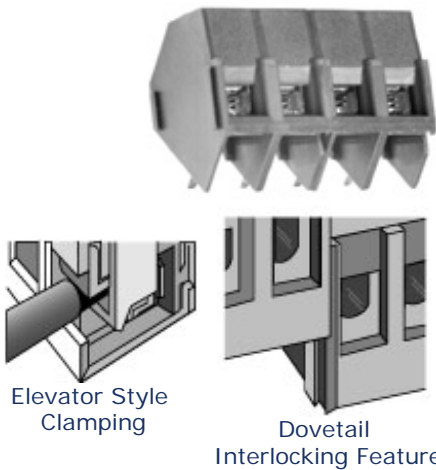
## Screw Connectors for Printed Circuit Boards

### TYPE 141-C-111

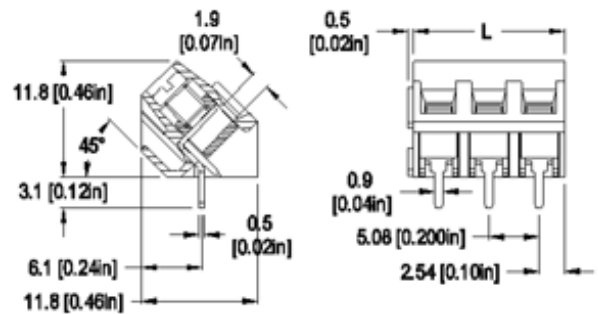
0.2 in. spacing - 2 to 24 poles



<a href="#">Series</a>	<a href="#">Download PDF</a>	<a href="#">3D Model</a>	<a href="#">Can plug with</a>	<a href="#">How to order</a>	<a href="#">Color specifications</a>	<a href="#">Print</a>
------------------------	------------------------------	--------------------------	-------------------------------	------------------------------	--------------------------------------	-----------------------



RoHS WEEE  
  
 RoHS WEEE  
 Pb free  
 compliant



Dimensions: mm (in.)

Length of Connector (L)  
 L = No. of Poles x Center to Center Spacing

When locating connector, allow 0.5 mm clearance around it for process-induced variations.

### Description

Can be installed anywhere on PCB without wires or screws interfering with the rest of PCB. Can be located next to each other back-to-back, front-to-front and front-to-back. The screws and wire entries are easily visible, accessible and usable, an ergonomic advantage.

- Dovetail version
- Wire entrance at 45° angle to PC Board
- Elevator-style clamping mechanism
- The 2 and 3 poles units can be factory, field or distributor assembled to almost any number of poles.

### Technical Data

**Center to Center Spacing:** 5.08 mm (0.200 in.)

**Nominal Cross Section:**

1.5 mm<sup>2</sup> (2325 mils<sup>2</sup>)

**Wire Stripping Length:** 6 mm (0.25 in.)

**Recommended Hole Diameter in PC Board:**

1.2 mm (0.047 in.)

### Approval Information

UL File No.E69841

CSA File No.LR24322

Rating	Current(A)	Voltage(V)	Application group	AWG
UL	10	300	B,C,D	30-14
CSA	15	300	B	30-14

\* UL: 20A range for factory wiring only.

### Screw Tightening Torque:

UL: 4.5 lbf·in

CSA: 0.51 Nm

**Rated Impulse Withstand Voltage:** 2500 V

### Material

▲  
Top of page

**Molding:** Polyamide, self extinguishing UL 94, V-0, color grey

**Temperature limits:**

**Short Time:** 140°C (284°F)

**Continuous:** RTI 105°C (221°F)

**Low Limit:** -40°C (-40°F)

**Comparative Tracking Index:** CTI > 600

**Oxygen Index Rating:** 33%

**Terminal Body:** Nickel plated copper alloy

**Solder Pin and Pressure Plate:** Tin plated copper alloy

**Screw:** M3, Slotted head, zinc plated blue passivated, steel substrate

**Solder Pin:** 0.9 mm x 0.5 mm (0.04 in. x 0.02 in.),

## How to order

**Item** 141-C-111

**Options**

- CN: Consecutive Numbering (hot stamped numbers)
- SM: Special Marking (please provide sketch)
- BS: Copper Alloy Screw
- G05: Gold Plating (5 micro inches)
- G30: Gold Plating (30 micro inches)
- S30: Silver Plating (30 micro inches)

**Note:** Plated components: solder pin and pressure plate

**Ordering Note:** To order factory assembled specify the number of poles required.

141-C-111/

POLES:  
02 to 24

**Request sample**

**Request quote**

Quantity

### Accessories

[BST Self Adhesive Marking Strips..](#)  
[Consecutively numbered.](#)  
[Jumper, Type 970-J1.](#)

Add to shopping cart