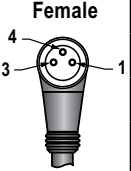
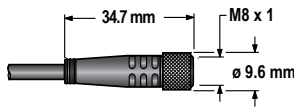
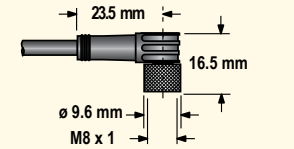


3-Pin Threaded Pico-Style Cables

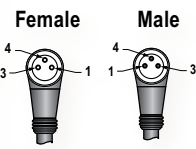
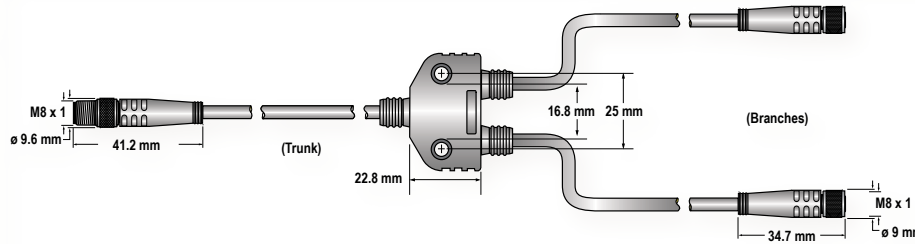
Cable: PVC jacket, 3 x 24 AWG
 Conductors: PUR (polyurethane) body, nickel-plated brass coupling nut, gold-plated contacts
 Voltage/Current Rating: 125V ac/300V dc, 4.0 A
 Temperature: +105° C

| Pinout | Style | Model | Length | Dimensions | Used With |
|-------------------------------------------------------------------------------------------------------------------------|-------------|----------------------|--------|------------------------------------------------------------------------------------|---------------------------------------------------------------------------------------------------------------------------------------------------------------------------------------------------------------------------------------------------------------------------------|
|  <p>1=Brown 3=Blue 4=Black</p> | Straight | PKG3M-2 | 2 m |  | <ul style="list-style-type: none"> • T8 • VS1 • VS2 • VS3 • VS4 • SLM • IP68 Sealed Ring Lights (Nickel-plated) • IP68 Sealed Ring[†] Lights (stainless steel) • On-axis Lights |
| | | PKG3M-4 [†] | 4 m | | |
| PKG3M-7 [†] | | 7 m | | | |
| PKG3M-9 | | 9 m | | | |
| PKG3M-10 [†] | | 10 m | | | |
| | Right-Angle | PKW3M-2 | 2 m |  | |
| | | PKW3M-9 | 9 m | | |

[†] IP68 stainless steel models require a cable with a stainless steel connector. For a stainless steel connector, add **V** to the model number (example, **PKG3M-4V**).

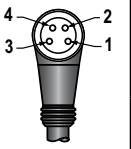
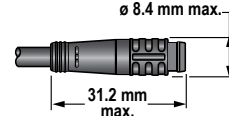
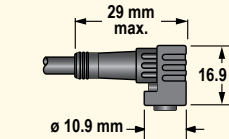
3-Pin Pico-Style Splitter Cables

Cable: PVC jacket, 3 x 24 AWG
 Conductors: PUR (polyurethane) body, nickel-plated brass coupling nut, gold-plated contacts
 Voltage/Current Rating: 125V ac/300V dc, 4.0 A
 Temperature: +105° C

| Connections | | | | |
|---------------------------------------------------------------------------------------------------------------------------|--------------|-----------------------------------|------------|-------------------------------------------------------------------------------------------------------------------------------------|
| Pinout | Model | Branches | Trunks | Used With |
|  <p>1=Brown 3=Blue 4=Black</p> | CSB-M831M831 | 3-Pin Pico QD 2 x 0.2 m Female | 0.2 m Male | <ul style="list-style-type: none"> • Ring Lights • Spot Lights • Area Lights • Backlights |
|  | | | | |

4-Pin Snap-on Pico-Style Cables


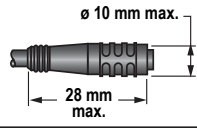
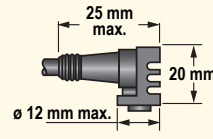
Cable: PVC jacket, 3 x 26 AWG
 Conductors: PUR (polyurethane) body, snap lock, POM locking sleeve (right-angle only), gold-plated contacts
 Voltage/Current Rating: 125V ac/300V dc, 4.0 A
 Temperature: +105° C

| Pinout | Style | Model | Length | Dimensions | Used With |
|-----------------------------------------------------------------------------------------------------------------------------------------------|-------------|---------|--------|--------------------------------------------------------------------------------------|-----------------------------------------------------------------------------------------------------------------------------------------------|
|  <p>1 = Brown 2 = White 3 = Blue 4 = Black</p> | Straight | PKG4-2 | 2 m |  | <ul style="list-style-type: none"> • MINI-BEAM 2 • QS12 • QS18 • Q20 • D12 • D10A |
| | Right-Angle | PKW4Z-2 | 2 m |  | |

BRACKETS
CABLES
RETROREFLECTORS
ENCLOSURES/
LENS SHIELDS
MISCELLANEOUS


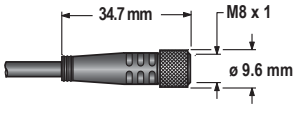
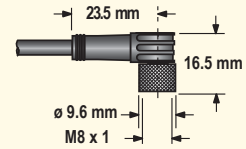
4-Pin Snap-On Pico-Style Cables with Shield

Cable: PVC jacket, 4 x 26 AWG with 26 AWG drain wire
Conductors: PUR (polyurethane) body, snap lock, POM locking sleeve (right-angle only), nickel-plated brass coupling nut, gold-plated contacts
Voltage/Current Rating: 125V ac/300V dc, 4.0 A
Temperature: +105° C

| Pinout | Style | Model | Length | Dimensions | Used With |
|-------------------------------------------------------------------------------------------------------------------------------------------------------|-------------|----------|--------|------------------------------------------------------------------------------------|-----------|
| Female  1 = Brown 2 = White 3 = Blue 4 = Black | Straight | PKG4S-2 | 2 m |  | • QS18U |
| | Right-Angle | PKW4ZS-2 | 2 m |  | |

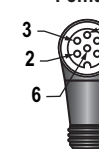
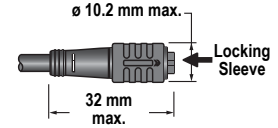
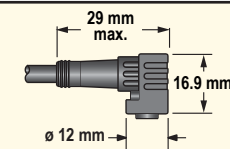
4-Pin Threaded Pico-Style Cables

Cable: PVC jacket, 4 x 26 AWG
Conductors: PUR (polyurethane) body, nickel-plated brass coupling nut, gold-plated contacts
Voltage/Current Rating: 125V ac/dc, 4.0 A
Temperature: +105° C

| Pinout | Style | Model | Length | Dimensions | Used With |
|---------------------------------------------------------------------------------------------------------------------------------------------------------|-------------|---------|--------|--------------------------------------------------------------------------------------|----------------|
| Female  1 = Brown 2 = White 3 = Blue 4 = Black | Straight | PKG4M-2 | 2 m |  | • Q12 • Q20 |
| | | PKG4M-9 | 9 m | | |
| | Right-Angle | PKW4M-2 | 2 m |  | |
| | | PKW4M-9 | 9 m | | |

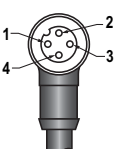
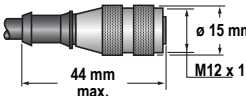
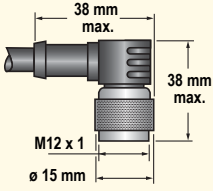
6-Pin Snap-On Pico-Style Cables

Cable: PVC jacket, 6 x 26 AWG
Conductors: PUR (polyurethane) body, POM locking sleeve, gold-plated contacts
Voltage/Current Rating: 125V ac/dc, 2.0 A
Temperature: +105° C

| Pinout | Style | Model | Length | Dimensions | Used With |
|------------------------------------------------------------------------------------------------------------------------------------------------------------------------|-------------|---------|--------|--------------------------------------------------------------------------------------|-----------------|
| Female  1 = Brown 4 = Black 2 = White 5 = Gray 3 = Blue 6 = Pink | Straight | PKG6Z-2 | 2 m |  | • D10 • FI22 |
| | | PKG6Z-9 | 9 m | | |
| | Right-Angle | PKW6Z-2 | 2 m |  | |
| | | PKW6Z-9 | 9 m | | |

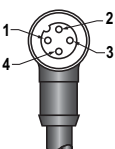
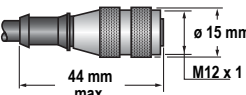
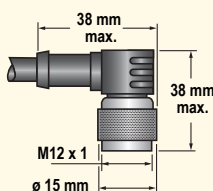
4-Pin Euro-Style Cables

Cable: PVC jacket, PUR (polyurethane) connector body, nickel-plated brass coupling nut
Conductors: 22 or 20 AWG high-flex stranded, gold-plated contacts
Voltage Rating: 250V ac/300V dc
Temperature: -40° to +90° C

| Pinout | Style | Model | Length | Dimensions | Used With |
|------------------------------------------------------------------------------------------------------------------------------------------------------------------|-------------|------------|--------|------------------------------------------------------------------------------------|------------------------------------------------------------------------------------------------------------------------------------------------------------------------------------------------------------------------------------------------------------------------------------------------------------------------------------------------------------------------------------------------------------------------------|
|  <p>Female</p> <p>1 = Brown 2 = White 3 = Blue 4 = Black</p> | Straight | MQDC-406 | 2 m |  | <ul style="list-style-type: none"> • Q12 • M12 • QS18 • Q20 • OMNI-BEAM (QDH suffix) • Q45 dc sensors (Q5 suffix) • MINI-BEAM dc SM312 sensors • S18, M18, T18, Q25, S30, T30, Q40 • QM42 • QL50/QL55 • SLM • T18U • K50 • K80 • PVA • VTB and STB • EZ-LIGHT |
| | | MQDC-415 | 5 m | | |
| | | MQDC-430 | 9 m | | |
| | Right-Angle | MQDC-406RA | 2 m |  | |
| | | MQDC-415RA | 5 m | | |
| | | MQDC-430RA | 9 m | | |

4-Pin Euro-Style Cables with Shield

Cable: PVC jacket, PUR (polyurethane) connector body, nickel-plated brass coupling nut
Conductors: 22 or 20 AWG high-flex stranded, gold-plated contacts
Voltage Rating: 250V ac/300V dc
Temperature: -40° to +90° C

| Pinout | Style | Model | Length | Dimensions | Used With |
|--------------------------------------------------------------------------------------------------------------------------------------------------------------------|-------------|--------------|--------|--------------------------------------------------------------------------------------|-----------------------------------------------------------|
|  <p>Female</p> <p>1 = Brown 2 = White 3 = Blue 4 = Black</p> | Straight | MQDEC2-406 | 2 m |  | <ul style="list-style-type: none"> • QS18U |
| | | MQDEC2-415 | 5 m | | |
| | | MQDEC2-430 | 9 m | | |
| | Right-Angle | MQDEC2-406RA | 2 m |  | |
| | | MQDEC2-415RA | 5 m | | |
| | | MQDEC2-430RA | 9 m | | |

BRACKETS

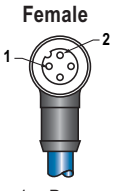

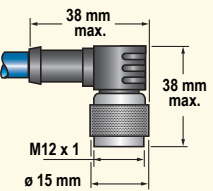
CABLES

RETROREFLECTORS

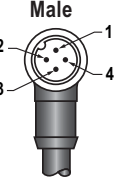
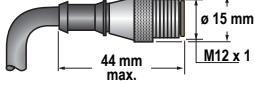
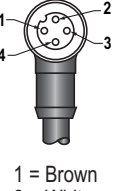
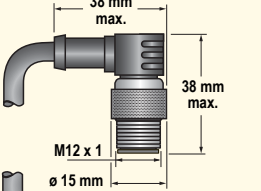
ENCLOSURES/ LENS SHIELDS

MISCELLANEOUS

4-Pin Euro-Style Cables (for use with NAMUR sensors)
 Cable: PVC jacket, PUR (polyurethane) connector body, nickel-plated brass coupling nut
 Conductors: 22 or 20 AWG high-flex stranded, gold-plated contacts
 Voltage Rating: 250V ac/300V dc
 Temperature: -40° to +90° C

| Pinout | Style | Model | Length | Dimensions | Used With |
|----------------------------------------------------------------------------------------------------------------------------|-------------|------------|--------|------------------------------------------------------------------------------------|---------------------------------------------------------------------------------------|
|  <p>Female 1 = Brown 2 = Blue</p> | Straight | MQD9-406 | 2 m |  | <ul style="list-style-type: none"> • MINI-BEAM & Q45 NAMUR sensors |
| | | MQD9-415 | 5 m | | |
| | Right-Angle | MQD9-406RA | 2 m |  | |
| | | MQD9-415RA | 5 m | | |

4-Pin Euro-Style Cables–Double Ended
 Cable: PVC jacket, PUR (polyurethane) connector body, nickel-plated brass coupling nut
 Conductors: 22 or 20 AWG high-flex stranded, gold-plated contacts
 Voltage Rating: 250V ac/300V dc
 Temperature: -40° to +90° C

| Pinout | Style | Model | Length | Dimensions | Used With |
|----------------------------------------------------------------------------------------------------------------------------------------------------------|--------------------------------------|-------------|--------|--------------------------------------------------------------------------------------|---------------------------------------------------------------------------------------------------------------------------------------------------------------------------------------------------------------------------------------------------------------------------------------------------------------------------------------------------------------------------|
|  <p>Male 1 = Brown 2 = White 3 = Blue 4 = Black</p> | Male Straight/ Female Straight | MQDEC-403SS | 1 m |  | <ul style="list-style-type: none"> • M12 • QS18 • Q20 • OMNI-BEAM (QDH suffix) • Q45 dc sensors (Q5 suffix) • MINI-BEAM dc SM312 sensors • S18, M18, T18, Q25, S30, T30, Q40 • QM42 • T18U • K50 • K80 • PVA • VTB and STB • EZ-LIGHT |
| | | MQDEC-406SS | 2 m | | |
| | | MQDEC-412SS | 4 m | | |
| | | MQDEC-420SS | 7 m | | |
| | | MQDEC-430SS | 10 m | | |
| | | MQDEC-450SS | 15 m | | |
|  <p>Female 1 = Brown 2 = White 3 = Blue 4 = Black</p> | Male Right-Angle/ Female Straight | MQDEC-403RS | 1 m |  | |
| | | MQDEC-406RS | 2 m | | |
| | | MQDEC-412RS | 4 m | | |
| | | MQDEC-420RS | 7 m | | |
| | | MQDEC-430RS | 10 m | | |
| | | MQDEC-450RS | 15 m | | |

4-Pin Euro-Style Splitter Cables

Cable: PVC jacket, PUR (polyurethane) connector body, nickel-plated brass coupling nut
Conductors: 22 AWG high-flex stranded, gold-plated contacts
Voltage Rating: 250V ac/300V dc
Temperature: -40° to +90° C

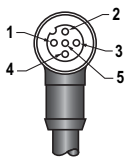
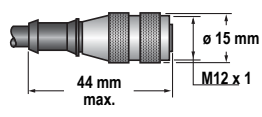
| Connections | | | | |
|-------------------------------------------------------------------------------------|-----------------|--------------------------------------|--------------------|---------------------------------------------------------------------------------------------|
| Pinout | Model | Branches | Trunk | Used With |
| <p>Male</p> <p>Female</p> <p>1 = Brown 2 = White 3 = Blue 4 = Black</p> | CSB-M1240M1240* | 4-Pin Euro QD No Branch Female | No Trunk Male | <ul style="list-style-type: none"> Sensors w/4-Pin Euro QD EZ-LIGHT |
| | CSB-M1241M1241 | 4-Pin Euro QD 2 x 0.3 m Female | 0.3 m Male | |
| | CSB-M1248M1241 | | 2.5 m Male | |
| | CSB-M12415M1241 | | 5.0 m Male | |
| | CSB-M12425M1241 | | 8.0 m Male | |
| | CSB-UNT425M1241 | | 8.0 m Unterminated | |
| Dimensions | | | | |
| | | | | |

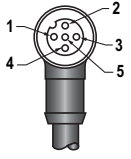
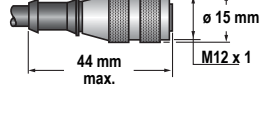
* CSB-M1240M1240 replaces model number MDCVB4T.

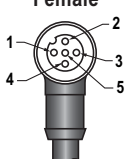
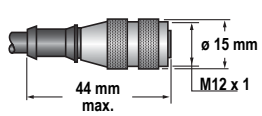
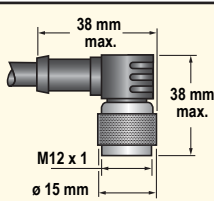
5-Pin Euro-Style Cables

Cable: PVC jacket, PUR (polyurethane) connector body, nickel-plated brass coupling nut
Conductors: 22 or 20 AWG high-flex stranded, gold-plated contacts
Voltage Rating: 250V ac/300V dc
Temperature: -40° to +90° C

| Pinout | Style | Model | Length | Dimensions | Used With |
|--------------------------------------------------------------------------------------|-------------|-------------|--------|------------|----------------------------------------------------------------------------------------------------------------------------------------------------------------------------------------------------------------------------------------------------------------------------------------------------------------------------------------------------------------|
| <p>Female</p> <p>1 = Brown 2 = White 3 = Blue 4 = Black 5 = Gray</p> | Straight | MQDC1-501.5 | 0.5 m | | <ul style="list-style-type: none"> MINI-BEAM Expert QS30 PicoDot Q45 Laser Retro R55F SL30 & SL30E SL10 & SL10E VTB (2-color) SLC1 Q60 PVD STB K50 K80 DX80 DX81 DX85 EZ-LIGHT |
| | | MQDC1-515 | 5 m | | |
| | | MQDC1-530 | 9 m | | |
| | Right-Angle | MQDC1-506RA | 2 m | | |
| | | MQDC1-515RA | 5 m | | |
| | | MQDC1-530RA | 9 m | | |

| 5-Pin Euro-Style Cables | | | | | | |
|-----------------------------------------------------------------------------------------------------------------------------------------------------------------------------------------------------------------------------------------------------|----------|------------|--------|------------------------------------------------------------------------------------|------------------------------------------------------------------------------------------------------------------------------------------------------------------------------------------------|--|
| Cable: PVC jacket, PUR (polyurethane) connector body, nickel-plated brass coupling nut Conductors: 20 AWG high-flex stranded, gold-plated contacts Voltage Rating: 250V ac/300V dc Temperature: -40° to +90° C | | | | | | |
| Pinout | Style | Model | Length | Dimensions | Used With | |
| Female  <p>1 = Brown 2 = White 3 = Blue 4 = Black 5 = Gray</p> | Straight | MQDC20-506 | 2 m |  | <ul style="list-style-type: none"> • High Intensity Area Lights • High Intensity Ring Lights • Sealed Linear Array Lights NOTE: Except stainless steel models | |
| | | MQDC20-515 | 5 m | | | |
| | | MQDC20-530 | 9 m | | | |

| 5-Pin Euro-Style Cables with Stainless Steel Connector | | | | | | |
|-----------------------------------------------------------------------------------------------------------------------------------------------------------------------------------------------------------------------------------------------------|----------|--------------|--------|--------------------------------------------------------------------------------------|----------------------------------------------------------------------------------------------------------------------------------------------------------|--|
| Cable: PVC jacket, PUR (polyurethane) connector body, 316 stainless steel coupling nut Conductors: 20 AWG high-flex stranded, gold-plated contacts Voltage Rating: 250V ac/300V dc Temperature: -40° to +90° C | | | | | | |
| Pinout | Style | Model | Length | Dimensions | Used With | |
| Female  <p>1 = Brown 2 = White 3 = Blue 4 = Black 5 = Gray</p> | Straight | MQDC20SS-506 | 2 m |  | <ul style="list-style-type: none"> • Sealed High Intensity Area Lights • Sealed Linear Array Lights NOTE: Stainless steel models | |
| | | MQDC20SS-515 | 5 m | | | |
| | | MQDC20SS-530 | 9 m | | | |

| 5-Pin Euro-Style Cables with Shield | | | | | | |
|-----------------------------------------------------------------------------------------------------------------------------------------------------------------------------------------------------------------------------------------------------------|-------------|--------------|--------|--------------------------------------------------------------------------------------|-------------------------------------------------------------------------------------------------------------------------------------------------------------------------------------------------------------------------------------------------------------------------|--|
| Cable: PVC jacket, PUR (polyurethane) connector body, nickel-plated brass coupling nut Conductors: 22 or 20 AWG high-flex stranded, gold-plated contacts Voltage Rating: 250V ac/300V dc Temperature: -40° to +90° C | | | | | | |
| Pinout | Style | Model | Length | Dimensions | Used With | |
| Female  <p>1 = Brown 2 = White 3 = Blue 4 = Black 5 = Gray</p> | Straight | MQDEC2-506 | 2 m |  | <ul style="list-style-type: none"> • Q50 • R58E • M-GAGE Q7M • M-GAGE S18M • QT50U dc sensors • S18U • T30U • Q45U • Q45UR • T-GAGE M18T • LX • QT50R | |
| | | MQDEC2-515 | 5 m | | | |
| | | MQDEC2-530 | 9 m | | | |
| | Right-Angle | MQDEC2-506RA | 2 m |  | | |
| | | MQDEC2-515RA | 5 m | | | |
| | | MQDEC2-530RA | 9 m | | | |

5-Pin Euro-Style Cables–Double Ended

Cable: PVC jacket, PUR (polyurethane) connector body, nickel-plated brass coupling nut
Conductors: 22 or 20 AWG high-flex stranded, gold-plated contacts
Voltage Rating: 250V ac/300V dc
Temperature: -40° to +90° C

| Pinout | Style | Model | Length | Dimensions | Used With |
|-------------------------------------------------------------------------|-----------------------------------------|-------------|--------|------------|-----------------------------------------------------------------------------------------------------------------------------------------------------------------------------------------------------------------------------------------------------------------------------------------------------------------------------------------|
| <p>1 = Brown 2 = White 3 = Blue 4 = Black 5 = Gn/Ye</p> | Female Straight/ Male Straight | DEE2R-51D | 0.3 m | | <ul style="list-style-type: none"> • MINI-BEAM <i>Expert</i> • QS30 • PicoDot • Q45 Laser Retro • R55F • SL30 & SL30E • SL10 & SL10E • SLC1 • Q60 • PVD • STB • VTB (2-color) • DX85 • DX81 |
| | | DEE2R-53D | 1.0 m | | |
| | | DEE2R-58D | 2.4 m | | |
| | | DEE2R-515D | 4.5 m | | |
| | | DEE2R-525D | 8.0 m | | |
| | | DEE2R-550D | 15.0 m | | |
| | | DEE2R-575D | 23.0 m | | |
| | | DEE2R-5100D | 30.0 m | | |

8-Pin Euro-Style Cables with Shield

Cable: PVC jacket, PUR (polyurethane) connector body, nickel-plated brass coupling nut
Conductors: 22 or 20 AWG high-flex stranded, gold-plated contacts
Voltage Rating: 250V ac/300V dc
Temperature: -40° to +90° C

| Pinout | Style | Model | Length | Dimensions | Used With |
|-------------------------------------------------------------------------------------------------------------------|----------|----------|--------|------------|----------------------------------------------------------------------------------------|
| <p>1 = White 2 = Brown 3 = Green 4 = Yellow 5 = Gray 6 = Pink 7 = Blue 8 = Shield</p> | Straight | MQDC-806 | 2 m | | <ul style="list-style-type: none"> • LT3 • LG5 • LG10 |
| | | MQDC-815 | 5 m | | |
| | | MQDC-830 | 9 m | | |

8-Pin Euro-Style Cables with Shield

Cable: PVC jacket, PUR (polyurethane) connector body, nickel-plated brass coupling nut
Conductors: 24 AWG high-flex stranded, gold-plated contacts
Voltage Rating: 30V ac/36V dc
Temperature: -40° to +105° C

| Pinout | Style | Model | Length | Dimensions | Used With |
|----------------------------------------------------------------------------------------------------------------|----------|-----------|--------|------------|---------------------------------------------------------------------------------|
| <p>1 = White 2 = Brown 3 = Green 4 = Yellow 5 = Gray 6 = Pink 7 = Blue 8 = Red</p> | Straight | MAQDC-815 | 5 m | | <ul style="list-style-type: none"> • EZ-ARRAY Emitters/Receivers |
| | | MAQDC-830 | 9 m | | |
| | | MAQDC-850 | 15 m | | |

BRACKETS

CABLES

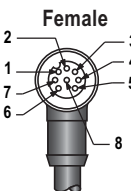
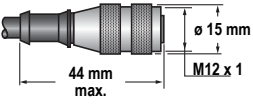
RETROREFLECTORS

ENCLOSURES/
LENS SHIELDS

MISCELLANEOUS

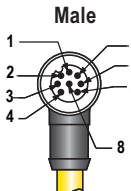
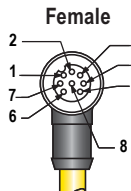
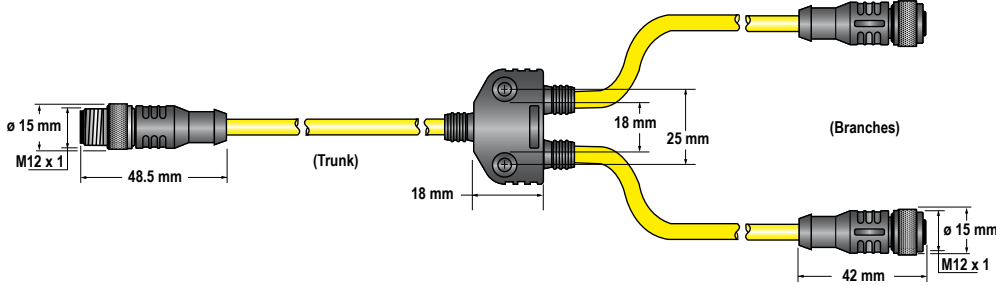
8-Pin Euro-Style Cables with Open-Shield

Cable: PVC jacket, PUR (polyurethane) connector body, nickel-plated brass coupling nut
Conductors: 22 or 20 AWG high-flex stranded, gold-plated contacts
Voltage Rating: 250V ac/300V dc
Temperature: -40° to +90° C

| Pinout | Style | Model | Length | Dimensions | Used With |
|-------------------------------------------------------------------------------------------------------------------------------------------------------------------------------------------------------------------------------------------------------------------|----------|------------|--------|------------------------------------------------------------------------------------|-----------------------------------------------------------------------------------------------|
|  <p>Female</p> <p>1 = White 5 = Gray 2 = Brown 6 = Pink 3 = Green 7 = Blue 4 = Yellow 8 = Red</p> | Straight | MQDC2S-806 | 2 m |  | <ul style="list-style-type: none"> • QC50 • QCX50 • EZ-LIGHT |
| | | MQDC2S-815 | 5 m | | |
| | | MQDC2S-830 | 9 m | | |

8-Pin Euro-Style Splitter Cables

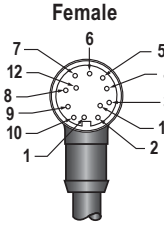

Cable: PVC jacket, PUR (polyurethane) connector body, nickel-plated brass coupling nut
Conductors: 22 AWG high-flex stranded, gold-plated contacts
Voltage Rating: 250V ac/300V dc
Temperature: -40° to +90° C

| Pinout | Connections | | | Used With |
|----------------------------------------------------------------------------------------------------------------------------------------------------------------------------------------------------------------------------------------------------------------------------------------------------------------------------------------------------------------------------------------------------------------------------------------------|-----------------|--------------------------------------|--------------------|---------------------------------------------------------------------------------|
| | Model | Branches | Trunk | |
|  <p>Male</p>  <p>Female</p> <p>1 = Brown 2 = Or/Bk 3 = Orange 4 = White 5 = Black 6 = Blue 7 = Gn/Ye 8 = Violet</p> | CSB-M1280M1280 | 8-Pin Euro QD No Branch Female | No Trunk Male | <ul style="list-style-type: none"> • EZ-ARRAY Emitters/Receivers |
| | CSB-M1281M1281 | 8-Pin Euro QD 2 x 0.3 m Female | 0.3 m Male | |
| | CSB-M1288M1281 | | 2.5 m Male | |
| | CSB-M12815M1281 | | 5.0 m Male | |
| | CSB-M12825M1281 | | 8.0 m Male | |
| | CSB-UNT825M1281 | | 8.0 m Unterminated | |
| Dimensions | | | | |
|  | | | | |


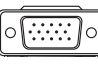
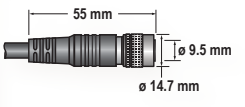
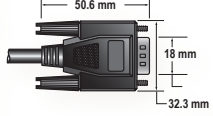
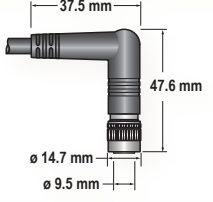


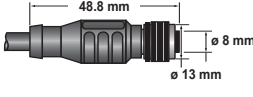
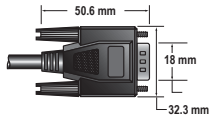
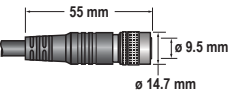
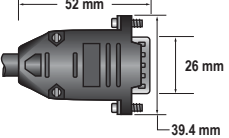
BRACKETS
CABLES
RETROREFLECTORS
ENCLOSURES/
LENS SHIELDS
MISCELLANEOUS

12-Pin M16 Cable

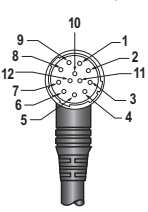
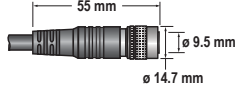
Cable: PVC jacket, nickel-plated brass coupling nut
 Conductors: 22 AWG
 Voltage Rating: 250V ac Temperature: -30° to +80° C

| Pinout | Style | Model | Length | Dimensions | Used With | |
|----------------------------------------------------------------------------------------------------------------------------------------------------------|--------------------------------------------------------------------------------------------------------|----------|-------------|------------|------------------------------------------------------------------------------------|-------|
| 1 = White 2 = Brown 3 = Green 4 = Yellow 5 = Gray 6 = Pink 7 = Red 8 = Black 9 = Violet 10 = Gy/Pk 11 = Rd/Bu 12 = Blue |  <p>Female</p> | Straight | MQDC-1210ST | 3 m |  | • LT7 |
| | | | MQDC-1230ST | 10 m | | |

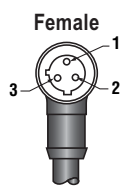
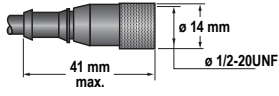
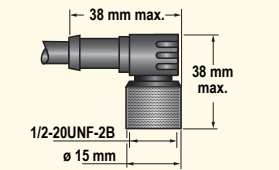
12-Pin QD to DB15

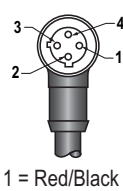
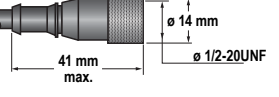
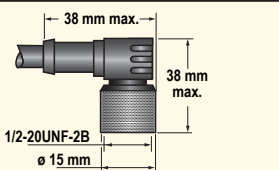
| Pinout | Style | Model | Length | Dimensions 12-Pin QD | Dimensions DB15 | Used With | | |
|----------------------------------------------------------------------------------------------------------------------------------------------------------------------------------------------------------|---------------------------|----------|--------|-------------------------------------------------------------------------------------|---------------------------------------------------------------------------------------|--------------|---------------------------------------------------------------------------------------|-----------------------------------|
|  Male QD  Male DB15 | Straight/DB15 | PPC06 | 2 m |  |  | • Pro | | |
| | | PPC23 | 7 m | | | | | |
| | Straight (High-Flex)/DB15 | PPC06HF | 2 m | | | | | |
| | | PPC23HF | 7 m | | | | | |
| | Right-Angle/DB15 | PPC06RA | 2 m |  | | | | |
| | | PPC10RA | 3 m | | | | | |
| PPC23RA | | 7 m | | | | | | |
| Right-Angle (High-Flex)/DB15 | PPC06RAHF | 2 m | | | | | | |
| | PPC23RAHF | 7 m | | | | | | |
|  Female QD  Male DB15 | Straight/DB15 | PPC13S | 4 m |  |  | • Sealed Pro | | |
| | | PPC23S | 7 m | | | | | |
| | Straight/DB15 | P4C06SIM | 2 m |  | | |  | • P4 to PPSIM with DB15 connector |
| | | P4C23SIM | 7 m | | | | | |
| | | P4C32SIM | 10 m | | | | | |

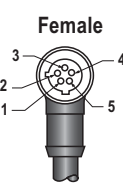
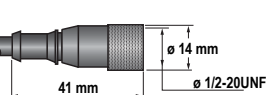
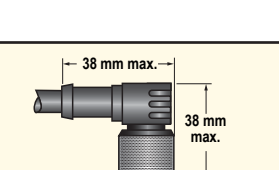
12-Pin QD

| Pinout | Style | Model | Length | Dimensions | Used With | |
|---------------------------------------------------------------------------------------------------------------------------------------------------------------------------------------|-------------------------------------------------------------------------------------------------------------|----------|--------|------------|--------------------------------------------------------------------------------------|-------------------------------------------|
| 1 = Yellow 2 = Gray 3 = Orange 4 = Pink 5 = Black 6 = Red 7 = White 8 = Light Blue 9 = Purple 10 = Green 11 = Blue 12 = Brown Shield = Bare Metal |  <p>Female QD</p> | Straight | P4C06 | 2 m |  | • P4 • PPSIM with terminal strip to P4 |
| | | | P4C23 | 7 m | | |
| | | | P4C32 | 10 m | | |
| | | | P4C50 | 16 m | | |
| | | | P4C75 | 23 m | | |

BRACKETS
CABLES
RETROREFLECTORS
ENCLOSURES/
LENS SHIELDS
MISCELLANEOUS

| 3-Pin Micro-Style Cables | | | | | | |
|-------------------------------------------------------------------------------------------------------------------------------------------------------------------------------------------------------------------------|-------------|------------|--------|------------------------------------------------------------------------------------|--------------------------------------------------------------------------------|--|
| Cable: PVC jacket, 3 x 22 AWG Conductors: PUR (polyurethane) body, nickel-plated coupling nut, gold-plated contacts Voltage/Current Rating: 250V ac/dc, 4.0 A Temperature: +105° C | | | | | | |
| Pinout | Style | Model | Length | Dimensions | Used With | |
|  <p>1 = Green 2 = Red/Black 3 = Red/White</p> | Straight | MQDC-306 | 2 m |  | <ul style="list-style-type: none"> MINI-BEAM ac SM2A312 sensors | |
| | | MQDC-315 | 5 m | | | |
| | | MQDC-330 | 9 m | | | |
| | Right-Angle | MQDC-306RA | 2 m |  | | |
| | | MQDC-315RA | 5 m | | | |
| | | MQDC-330RA | 9 m | | | |

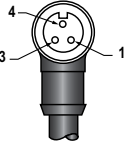
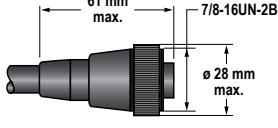
| 4-Pin Micro-Style Cables | | | | | | |
|-------------------------------------------------------------------------------------------------------------------------------------------------------------------------------------------------------------------------------|-------------|------------|--------|--------------------------------------------------------------------------------------|-----------------------------------------------------------------------------------------------------------------------------------------------------------------|--|
| Cable: PVC jacket, 4 x 22 AWG Conductors: PUR (polyurethane) body, nickel-plated brass coupling nut, gold-plated contacts Voltage/Current Rating: 250V ac/dc, 4.0 A Temperature: +105° C | | | | | | |
| Pinout | Style | Model | Length | Dimensions | Used With | |
|  <p>1 = Red/Black 2 = Red/White 3 = Red 4 = Green</p> | Straight | MQAC-406 | 2 m |  | <ul style="list-style-type: none"> Q45 ac series (suffix Q1) S18, M18, T18, Q25, S30, T30 & Q40 ac sensors (suffix Q1) Q60 | |
| | | MQAC-415 | 5 m | | | |
| | | MQAC-430 | 9 m | | | |
| | Right-Angle | MQAC-406RA | 2 m |  | | |
| | | MQAC-415RA | 5 m | | | |
| | | MQAC-430RA | 9 m | | | |

| 5-Pin Micro-Style Cables with Shield | | | | | | |
|----------------------------------------------------------------------------------------------------------------------------------------------------------------------------------------------------------------------------------------------|-------------|--------------|--------|--------------------------------------------------------------------------------------|-------------------------------------------------------------------------------------------------------|--|
| Cable: PVC jacket, 5 x 22 AWG with 22 AWG drain wire Conductors: PUR (polyurethane) body, nickel-plated brass coupling nut, gold-plated contacts Voltage Rating: 250V ac/dc, 4.0 A Temperature: +105° C | | | | | | |
| Pinout | Style | Model | Length | Dimensions | Used With | |
|  <p>1 = Brown 2 = White 3 = Yellow 4 = Black 5 = Blue</p> | Straight | MQVR3S-506 | 2 m |  | <ul style="list-style-type: none"> QT50U ac/dc sensors EZ-LIGHT ac indicators | |
| | | MQVR3S-515 | 5 m | | | |
| | | MQVR3S-530 | 9 m | | | |
| | Right-Angle | MQVR3S-506RA | 2 m |  | | |
| | | MQVR3S-515RA | 5 m | | | |
| | | MQVR3S-530RA | 9 m | | | |

BRACKETS
 CABLES
 RETROREFLECTORS
 ENCLOSURES/
 LENS SHIELDS
 MISCELLANEOUS

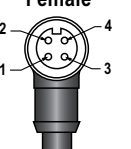
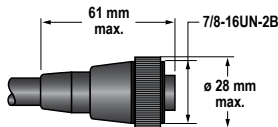
3-Pin Mini-Style Cables

Cable: PVC jacket, PUR (polyurethane) connector body, nylon coupling nut
Conductors: 18 AWG high-flex stranded. PVC insulation, gold-plated contacts
Voltage Rating: 250V ac/300V dc
Temperature: -40° to +80° C

| Pinout | Style | Model | Length | Dimensions | Used With |
|---------------------------------------------------------------------------------------------------------------------------------------------|----------|------------|--------|------------------------------------------------------------------------------------|-----------------------------------------------------------------------------------------|
|  <p>Female</p> <p>1 = Brown 3 = Blue 4 = Black</p> | Straight | MBCC-306 | 2 m |  | <ul style="list-style-type: none"> • Q45 |
| | | MBCC-312 | 4 m | | |
| | | MBCC-330 | 9 m | | |
| | Straight | SMICC-306 | 2 m | | <ul style="list-style-type: none"> • SMI30 Intrinsically safe dc sensors |
| | | SMICC-312 | 4 m | | |
| | | SMICC-330 | 9 m | | |
| 1=Red/Black 3=Red/White 4=Green | Straight | SM30CC-306 | 2 m | <ul style="list-style-type: none"> • SM30 2-wire ac sensors | |
| | | SM30CC-312 | 4 m | | |

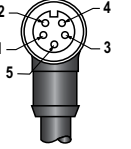
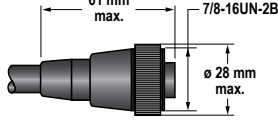
4-Pin Mini-Style Cables

Cable: PVC jacket, PUR (polyurethane) connector body, nylon coupling nut
Conductors: 18 AWG high-flex stranded. PVC insulation, gold-plated contacts
Voltage/Current Rating: 250V ac/300V dc
Temperature: -40° to +80° C

| Pinout | Style | Model | Length | Dimensions | Used With |
|-------------------------------------------------------------------------------------------------------------------------------------------------------------|----------|----------|--------|--------------------------------------------------------------------------------------|--------------------------------------------------------------------------------------------------------------------------------------------------------------------------------------------------------------------------|
|  <p>Female</p> <p>1 = Brown 2 = White 3 = Blue 4 = Black</p> | Straight | MBCC-406 | 2 m |  | <ul style="list-style-type: none"> • Q45 dc sensors (suffix Q) • OMNI-BEAM dc power blocks • SM30 dc sensors • OTB w/solid-state output • STB with solid-state output |
| | | MBCC-412 | 4 m | | |
| | | MBCC-430 | 9 m | | |

5-Pin Mini-Style Cables

Cable: PVC jacket, PUR (polyurethane) connector body, nylon coupling nut
Conductors: 18 AWG high-flex stranded, gold-plated contacts
Voltage Rating: 250V ac/300V dc
Temperature: -40° to +90° C

| Pinout | Style | Model | Length | Dimensions | Used With |
|----------------------------------------------------------------------------------------------------------------------------------------------------------------------------|----------|----------|--------|--------------------------------------------------------------------------------------|--------------------------------------------------------------------------------------------------------------------------------------------------------------------------------------------------------------------------------------------|
|  <p>Female</p> <p>1 = Brown 2 = White 3 = Blue 4 = Black 5 = Yellow</p> | Straight | MBCC-506 | 2 m |  | <ul style="list-style-type: none"> • Q45 Laser Retro • OMNI-BEAM ac power blocks • OMNI-BEAM dc w/ e/m relay • OTB & LTB w/SPDT relay • Q45 5-wire ac • STB with e/m relay |
| | | MBCC-512 | 4 m | | |
| | | MBCC-530 | 9 m | | |

BRACKETS

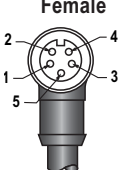
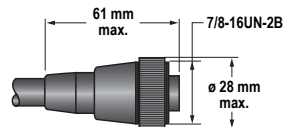
CABLES

RETROREFLECTORS

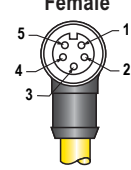
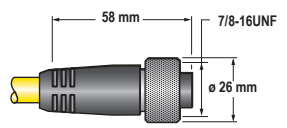
ENCLOSURES/
LENS SHIELDS

MISCELLANEOUS

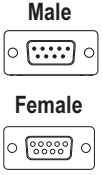
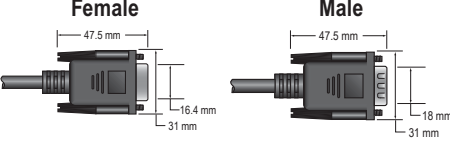
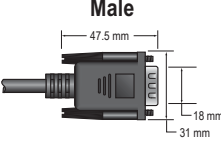
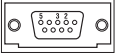
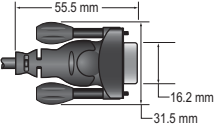
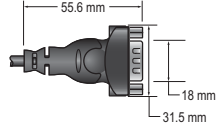
5-Pin Mini-Style Cables with Shield
Cable: PVC jacket, PUR (polyurethane) connector body, nylon coupling nut
Conductors: 18 AWG high-flex stranded, PVC insulation, gold-plated contacts
Voltage Rating: 250V ac/300V dc
Temperature: -40° to +80° C

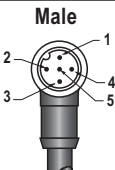
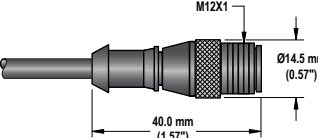
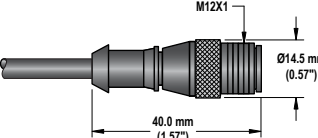
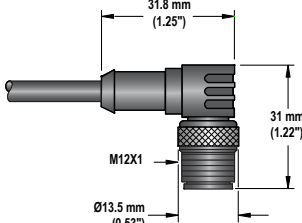
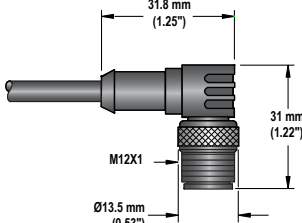
| Pinout | Style | Model | Length | Dimensions | Used With |
|--------------------------------------------------------------------------------------------------------------------------------------------------------------------------|----------|-----------|--------|------------------------------------------------------------------------------------|--------------------------------------------------------------------------------------------|
|  <p>Female</p> <p>1 = Brown 2 = White 3 = Blue 4 = Black 5 = Yellow</p> | Straight | MBCC2-506 | 2 m |  | <ul style="list-style-type: none"> • QT50U • Q45U • Q45UR |
| | | MBCC2-512 | 4 m | | |
| | | MBCC2-530 | 9 m | | |


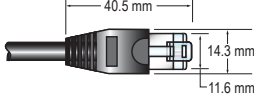
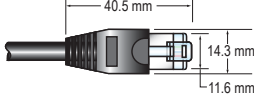
5-Pin Mini-Style Cables with Shield and “Twisted Pair”
Cable: PVC jacket, PUR (polyurethane) connector body, nickel-plated brass coupling nut
Conductors: 18 AWG high-flex stranded, PVC insulation, gold-plated contacts
Voltage Rating: 250V ac/300V dc
Temperature: -40° to +80° C


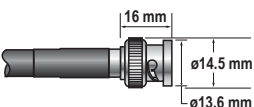
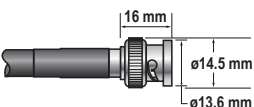
| Pinout | Style | Model | Length | Dimensions | Used With |
|---------------------------------------------------------------------------------------------------------------------------------------------------------------------------|----------|-------------|--------|--------------------------------------------------------------------------------------|------------------------------------------------------------------------------------------------------|
|  <p>Female</p> <p>1 = Black 2 = Blue 3 = Drain 4 = Brown 5 = White</p> | Straight | QDC-515C | 5 m |  | <ul style="list-style-type: none"> • MINI-ARRAY • High-Resolution MINI-ARRAY |
| | | QDC-525C | 8 m | | |
| | | QDC-550C | 15 m | | |
| | | MAQDC-575C | 22 m | | |
| | | MAQDC-5100C | 30 m | | |
| | | MAQDC-5125C | 38 m | | |
| | | MAQDC-5150C | 45 m | | |

- BRACKETS
- CABLES
- RETROREFLECTORS
- ENCLOSURES/ LENS SHIELDS
- MISCELLANEOUS

| DB9 Communication Cordsets | | | | | | |
|--------------------------------------------------------------------------------------------------------------------------------------------------------------------|-------------------------|--------|--------|------------------------------------------------------------------------------------|------------------------------------------------------------------------------------|------------------------------------------------------------------------------------------------------|
| End View | Style | Model | Length | Dimensions | | Used With |
|  <p>Male</p> <p>Female</p> | Male DB9/ Female DB9 | DB9P06 | 2 m |  |  | <ul style="list-style-type: none"> • Pro |
| | | DB9P15 | 5 m | | | |
| | | DB9P30 | 9 m | | | |
|  <p>Female</p> <p>2 = Transmit (TX) 3 = Receive (RX) 5 = Ground (GRD)</p> | Male DB9/ Female DB9 | MASC | 2 m |  |  | <ul style="list-style-type: none"> • MINI-ARRAY • High-Resolution MINI-ARRAY |

| Communication Cordsets | | | | | | |
|----------------------------------------------------------------------------------------------------------------------------------------------------------|-------------|-------------|--------|--------------------------------------------------------------------------------------|--------------------------------------------------------------------------------------|------------------------------------------------------------------------------------------------|
| End View | Style | Model | Length | Dimensions | | Used With |
|  <p>1 = Brown 2 = White 3 = Blue 4 = Black 5 = Gray</p> | Straight | MQDMC-506 | 2 m |  |  | <ul style="list-style-type: none"> • EZ-ARRAY to INTUSB485-1 USB Serial Adapter |
| | | MQDMC-515 | 5 m | | | |
| | | MQDMC-530 | 9 m | | | |
| | Right-Angle | MQDMC-506RA | 2 m |  |  | |
| | | MQDMC-515RA | 5 m | | | |
| | | MQDMC-530RA | 9 m | | | |

| RJ45 Ethernet Cordsets | | | | | | |
|-------------------------------------------------------------------------------------|--------------------------|--------|--------|--------------------------------------------------------------------------------------|--------------------------------------------------------------------------------------|-----------------------------------------------------------------------|
| End View | Style | Model | Length | Dimensions | | Used With |
|  | Cat5e Shielded | STP07 | 2.1 m |  |  | <ul style="list-style-type: none"> • Pro • P4 |
| | Cat5e Crossover Shielded | STPX07 | | | | |
| | Cat5e Shielded | STP25 | 7.3 m | | | |
| | Cat5e Crossover Shielded | STPX25 | | | | |
| | Cat5e Shielded | STPX75 | 23 m | | | |

| BNC Coaxial Video Cordsets | | | | | | |
|-------------------------------------------------------------------------------------|------------------------|-------|--------|--------------------------------------------------------------------------------------|--------------------------------------------------------------------------------------|-----------------------------------------------------------------------|
| Pinout | Style | Model | Length | Dimensions | | Used With |
|  | Video Coaxial with BNC | BNC06 | 2 m |  |  | <ul style="list-style-type: none"> • Pro • P4 |
| | | BNC15 | 5 m | | | |
| | | BNC30 | 9 m | | | |


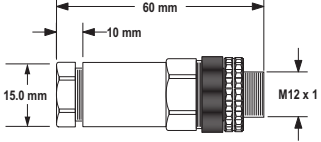

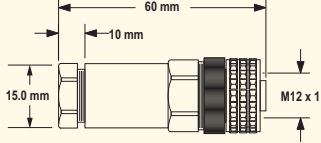
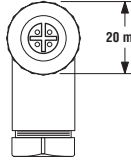
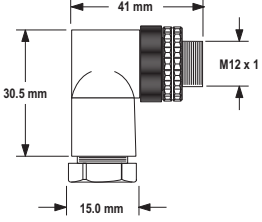
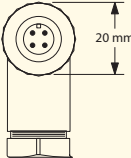
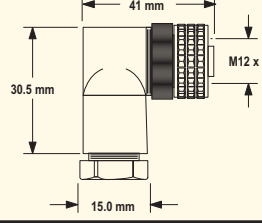

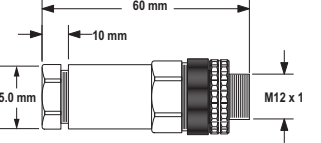

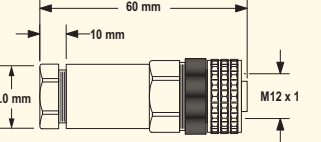
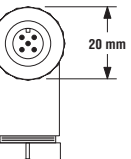
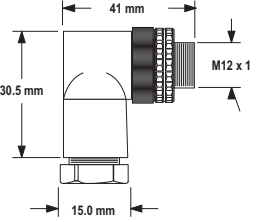
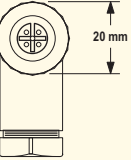
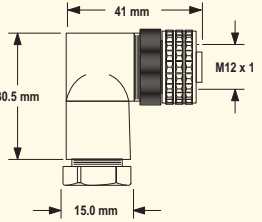
Pico-Style Field-Wireable Connectors (M8)
 Contacts: Gold-plated, rated 60V ac/dc max., 4 A max.
 Cable Diameter: 4.0 to 5.0 mm
 Temperature: -25° to +70° C
 Environmental Rating: NEMA 6P, IP67

| Pinout | Style | Model | Dimensions |
|--------|--------------------------|-----------|------------|
| | 3-Pin Male Straight | FIC-M8M3 | |
| | 3-Pin Female Straight | FIC-M8F3 | |
| | 3-Pin Male Right-Angle | FIC-M8M3A | |
| | 3-Pin Female Right-Angle | FIC-M8F3A | |
| | 4-Pin Male Straight | FIC-M8M4 | |
| | 4-Pin Female Straight | FIC-M8F4 | |
| | 4-Pin Male Right-Angle | FIC-M8M4A | |
| | 4-Pin Female Right-Angle | FIC-M8F4A | |

- BRACKETS
- CABLES
- RETROREFLECTORS
- ENCLOSURES/ LENS SHIELDS
- MISCELLANEOUS

Euro-Style Field-Wireable Connectors (M12)

Contacts: Gold-plated; 4-pin models rated 250V ac/dc max., 4 A max.; 5-pin models rated 50V ac/dc max., 4 A max.
Cable Diameter: 4.0 to 5.0 mm
Temperature: -25° to +90° C
Environmental Rating: NEMA 6P, IP67

| Pinout | Style | Model | Dimensions |
|-------------------------------------------------------------------------------------|--------------------------------|-------------------|--------------------------------------------------------------------------------------|
|  | 4-Pin Male Straight | FIC-M12M4 |  |
|  | 4-Pin Female Straight | FIC-M12F4 |  |
|  | 4-Pin Male Right-Angle | FIC-M12M4A |  |
|  | 4-Pin Female Right-Angle | FIC-M12F4A |  |
|  | 5-Pin Male Straight | FIC-M12M5 |  |
|  | 5-Pin Female Straight | FIC-M12F5 |  |
|  | 5-Pin Male Right-Angle | FIC-M12M5A |  |
|  | 5-Pin Female Right-Angle | FIC-M12F5A |  |

BRACKETS

CABLES

RETROREFLECTORS

ENCLOSURES/
LENS SHIELDS

MISCELLANEOUS