



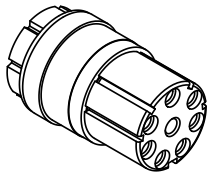
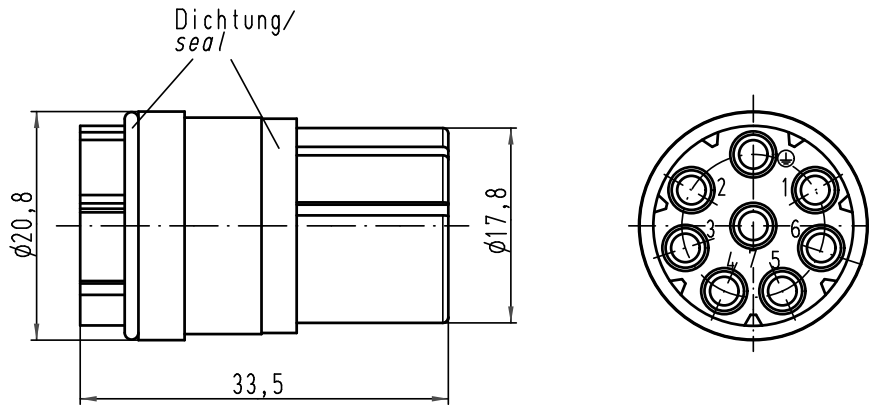
# Product details

**09 15 007 3101**

**Female insert, R 15**

Series	R15
Number of contacts	7 poles + PE
Size of hood/housing	R15
Termination	Crimp termination
Insert material	Standard material
Contacts	Order separately
Housing material	Plastic
Electrical data	10 A 250 V 4 kV 3
RoHS compliant	Yes

Alle Rechte vorbehalten/ All rights reserved



All Dimensions in mm Original Size DIN A 4			Techn. Character.			Nicht tolerierte Maß/Free size tolerances			
				Dat.	Name	Maßstab/Scale  2:1	<b>R 15-7-F-c</b> Buchseneinsatz/ <i>female insert</i>		
			Detail.	25.02.93	PENNER				
			Insp.		HERB				
			Stand.						
413155	27.08.07	Ho	HARTING Electric GmbH & Co. KG				<b>TB 09 15 007 3101</b>		
25592	22.03.99	PL	D-32339 Espelkamp						
Mod.	Dat.	Name							
							Sub. TB 09 15 007 3101 v. 12.12.87		Blatt/ page