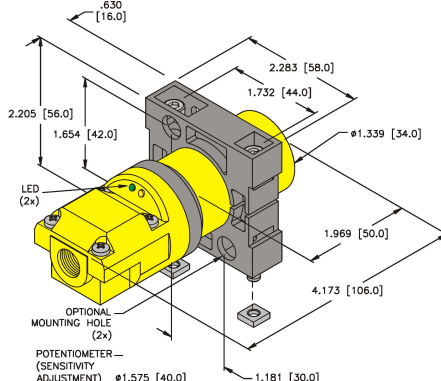
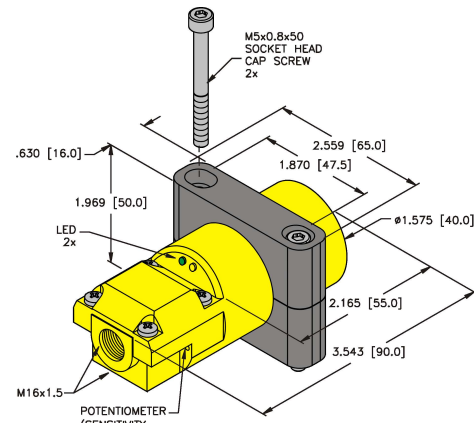


TURCK

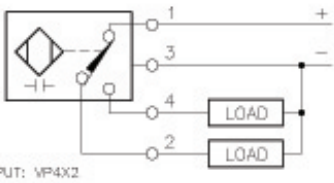
Level Sensors - Capacitive



Housing Style	Part Number	ID Number	Features	Embeddable Range (mm)	Nonembed. Range (mm)	Output
34 mm - Embeddable, Terminal Chamber 	BC15-K34SR-VN4X2	M2502128	Comp. Outputs	15	23	4-Wire DC NPN
	BC15-K34SR-VP4X2	M2502129	Comp. Outputs	15	23	4-Wire DC PNP
	BC15-K34SR-FZ3X2	M2310009	Prog. Outputs	15	23	2-Wire AC
40 mm - Embeddable, Terminal Chamber 	BC20-K40SR-VN4X2 W/M16X1.5	M2510100	Comp. Outputs	20	30	4-Wire DC NPN
	BC20-K40SR-VP4X2 W/M16X1.5	M2510000	Comp. Outputs	20	30	4-Wire DC PNP
	BC20-K40SR-FZ3X2 W/M16X1.5	M2310300	Prog. Outputs	20	30	2-Wire AC

Voltage	Switching Freq. (Hz)	Operating Current (mA)	Operating Temp. (°C)	Protection Class	Housing	End Cap	Power LED	Output LED	Mating Cordset	Wiring Diagram #	Wiring Diagrams
10-65 VDC	100	≤200	-25 to +70	IP 67	PBT	ABS	GN	YE	----	1	<p>Diagram 1</p>
10-65 VDC	100	≤200	-25 to +70	IP 67	PBT	ABS	GN	YE	----	2	<p>Diagram 2</p>
20-250 VAC	20	≤500	-25 to +70	IP 67	PBT	ABS	GN	YE	----	3	<p>Diagram 3</p>
10-65 VDC	100	≤200	-25 to +70	IP 67	PBT	ABS	GN	YE	----	1	
10-65 VDC	100	≤200	-25 to +70	IP 67	PBT	ABS	GN	YE	----	2	
20-250 VAC	20	≤500	-25 to +70	IP 67	PBT	ABS	GN	YE	----	3	

WIRING DIAGRAMS

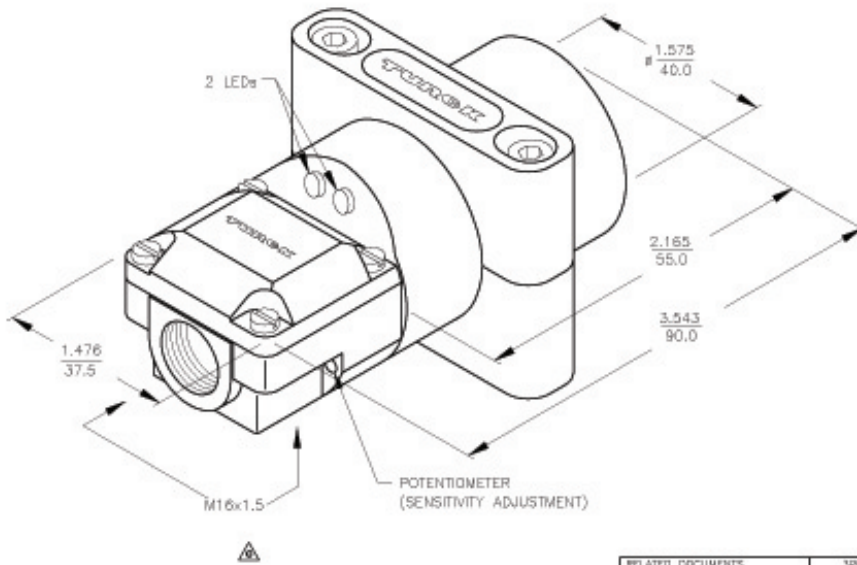


OUTPUT: VP4X2

SHORT-CIRCUIT AND OVERLOAD PROTECTED

SPECIFICATIONS

OPERATING VOLTAGE	10-65 VDC
RIPPLE	≤10%
DIFFERENTIAL TRAVEL (HYSTERESIS)	2-20% (5% TYPICAL)
VOLTAGE DROP ACROSS CONDUCTING SENSOR	≤1.8 V at 200 mA
OUTPUT FUNCTION	COMPLEMENTARY OUTPUT ONE N.O., ONE N.C. (SPDT)
TTL COMPATIBLE	NO
SHORT-CIRCUIT PROTECTED	YES
TRIGGER CURRENT FOR OVERLOAD PROTECTION	≥220 mA
CONTINUOUS LOAD CURRENT	≤200 mA
LEAKAGE (OFF-STATE) CURRENT	<10µA
NO-LOAD CURRENT	6.0-12.0 mA
TIME DELAY BEFORE AVAILABILITY	≤60 ms
LOAD and WIRE CAPACITANCE	0.33 µf
POWER-ON EFFECT PROTECTION	INCORPORATED
REVERSE POLARITY PROTECTION	INCORPORATED
WIRE-BREAK PROTECTION	INCORPORATED
PROTECTION AGAINST TRANSIENTS	2 kV, 1 ms, 1 kΩ
OPERATING TEMPERATURE	-25°C to +70°C (-13°F to +158°F)
ENCLOSURE	MEETS NEMA 1, 3, 4, 6, 13 AND IEC IP67
SHOCK	30 g, 11 ms
VIBRATION	35 Hz, 1 mm AMPLITUDE (IN ALL 3 PLANES)
LED FUNCTION	YELLOW: OUTPUT ENERGIZED GREEN: POWER ON
SENSING RANGE	20 mm = .787" (NOMINAL)
SWITCHING FREQUENCY	100 Hz
REPEATABILITY	<2% of NOMINAL SENSING RANGE



RELATED DOCUMENTS 1. 2. 3. 4.	3RD ANGLE PROJECTION 	THIS DRAWING IS PROPERTY OF TURCK INC. USE OF THIS DOCUMENT WITHOUT WRITTEN PERMISSION IS PROHIBITED.	TURCK INC High Technology Sensors and Automation Controls
MATERIAL	TOLERANCES UNLESS OTHERWISE SPECIFIED .X ±0.02 .XX ±0.01 .XXX ±0.005 ANGLES ±1°	DWGT SMW DATE 9/30/87 USDR SCALE NONE	DESCRIPTION BC20-K405R-VP4X2 W/M16X1.5
FRESH	ALL MILLIMETER DIMENSIONS ARE REFERENCE ONLY	UNIT OF MEASUREMENT INCH [MILLIMETER]	IDENTIFICATION NO. M2510000
C UPDATE PG B TO M16X1.5 CONNECTOR	RDS 11/18/04 12311	DO NOT SCALE THIS DRAWING	REV C
REV DESCRIPTION	BY DATE EDO NO.	FILE: M2510000	SHEET 1 OF 1