

[FEATURED ITEMS](#)[VISUAL PRODUCTS](#)[AUDIBLE PRODUCTS](#)[ACCESSORIES](#)[DOWNLOAD](#)[CASE STUDIES](#)[ABOUT US](#)[Home](#) >> [VISUAL PRODUCTS](#) >> [Illumination](#) >> CLF : Light Bar, 130/230mm

## ■ CLF : Light Bar, 130/230mm

[Print](#)

The CLF Series of LED Light Bars is designed with a robust, sealed construction yielding an IP-67 rating ideal for semiconductor and clean room environments. Also available in yellow and red, the white color provides flicker-free, intense daylight illumination for precision work.

[CLF Mechanical & Wiring Diagrams](#)[CLF Specifications](#)[CLF Instruction Manual](#)[CLF RoHS Certificate](#)[CLF Limited Warranty](#)

### [Related Products]

[CLB : Light Bar, 146/246/378mm](#)[CLT : Light Bar, 350mm](#)

**SIZE:**

- CLF10: 30mm x 50mm x 130mm
- CLF20: 30mm x 50mm x 230mm

**INPUT VOLTAGE** - DC24V

**OPTIONS:**

**FUNCTIONS** - Continuous only

**AVAILABLE:**

**MOUNTING OPTIONS:**

- Direct mount
- Indoor, any direction

**BODY STYLE:**

- Anodized aluminum housing
- Rust, corrosion and oil resistant
- Pre-assembled, pre-wired

**BODY COLOR:** Gray

**LIGHT SOURCE:**

- CLF10 : High Intensity LED x 4
- CLF20 : High Intensity LED x 8
- Colors : Red / Amber / White
- Average Service Life: (specified when brightness decreases to 70%): 40,000 hours

**LENS:** Polycarbonate

**RATINGS:**

- CE
- [UL Component Recognition \(US\)](#)
- [UL Component Recognition \(Canada\)](#)
- RoHS

**PROTECTION:** IP-67f

[PART NUMBER GUIDE](#)

# CLF 20 - 24 - R

## 1. Series

CLF Worklight

## 2. Lens Length

10 : 100mm

20 : 200mm

## 4. LED Color

R : Red

Y : Yellow

C : Clear

## 3. Rated Voltage

24 : DC24V

## OPTIONAL PARTS

None Available

## ACCESSORIES

None Available




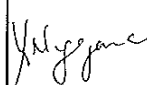
Website subject to change without notice.

TOP


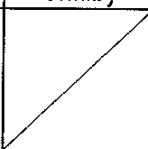
PATLITE (U.S.A.) Corporation Phone (310) 328-3222 Fax (310) 328-2676

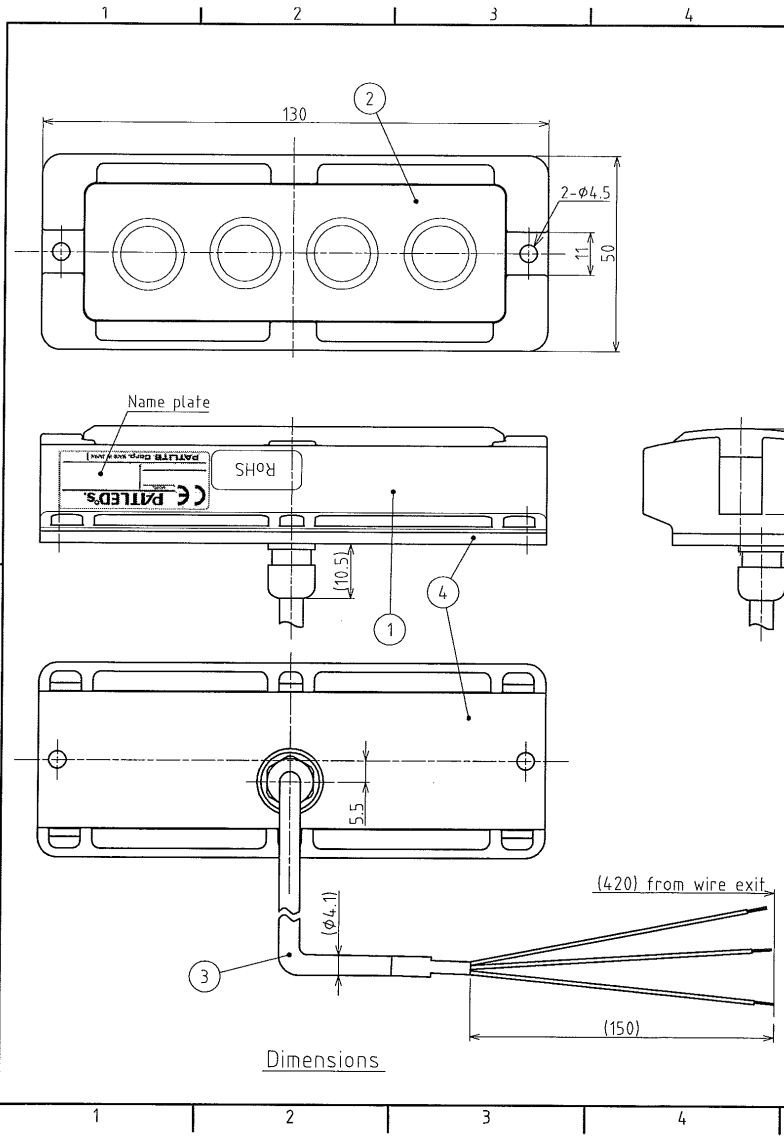
© PATLITE U.S.A. All Rights Reserved.

## SPECIFICATIONS

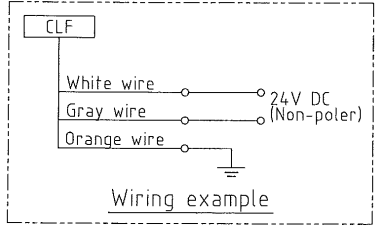
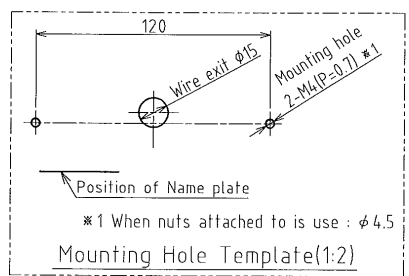
Model		CLF10-24-□		
Color of lighting		R (Red), Y (Amber), C (White)		
Light source		4-LED		
Rated voltage		24V DC (non-polar)		
Operating voltage		Rated voltage±10%		
Current consumption		104mA±10mA		
Operating temperature range (Relative humidity)		-30°C~+60°C (90%RH or less, without the dew condensation)		
Mounting	Place	Indoor only		
	Direction	Any direction		
Protection rating		IP67		
Vibration proof		19.6 m/s <sup>2</sup> (30Hz)		
Illumination at the center(at 50cm)		Red:240lx, Amber:320lx, White:850lx		
Mass		205g±10g		
No. CLF10-24-A18A-1/2 ● This product confirms to the CE requirements and CE Marking is indicated. ● This product complies with the RoHS Directive(DIRECTIVE 2002/95/EC) ● Model No. configuration <div style="margin-left: 40px;">                     CLF10-24-□                      └─ Color of lighting                          R:Red                          Y:Amber                          G:Green                 </div> <div style="text-align: center; margin-top: 20px;">  </div>				
<b>PATLITE Corporation</b>		App.by	Chk.by	Drn.by
		 8 Feb '08	 4 Feb '08	 6 Feb '08

## SPECIFICATIONS

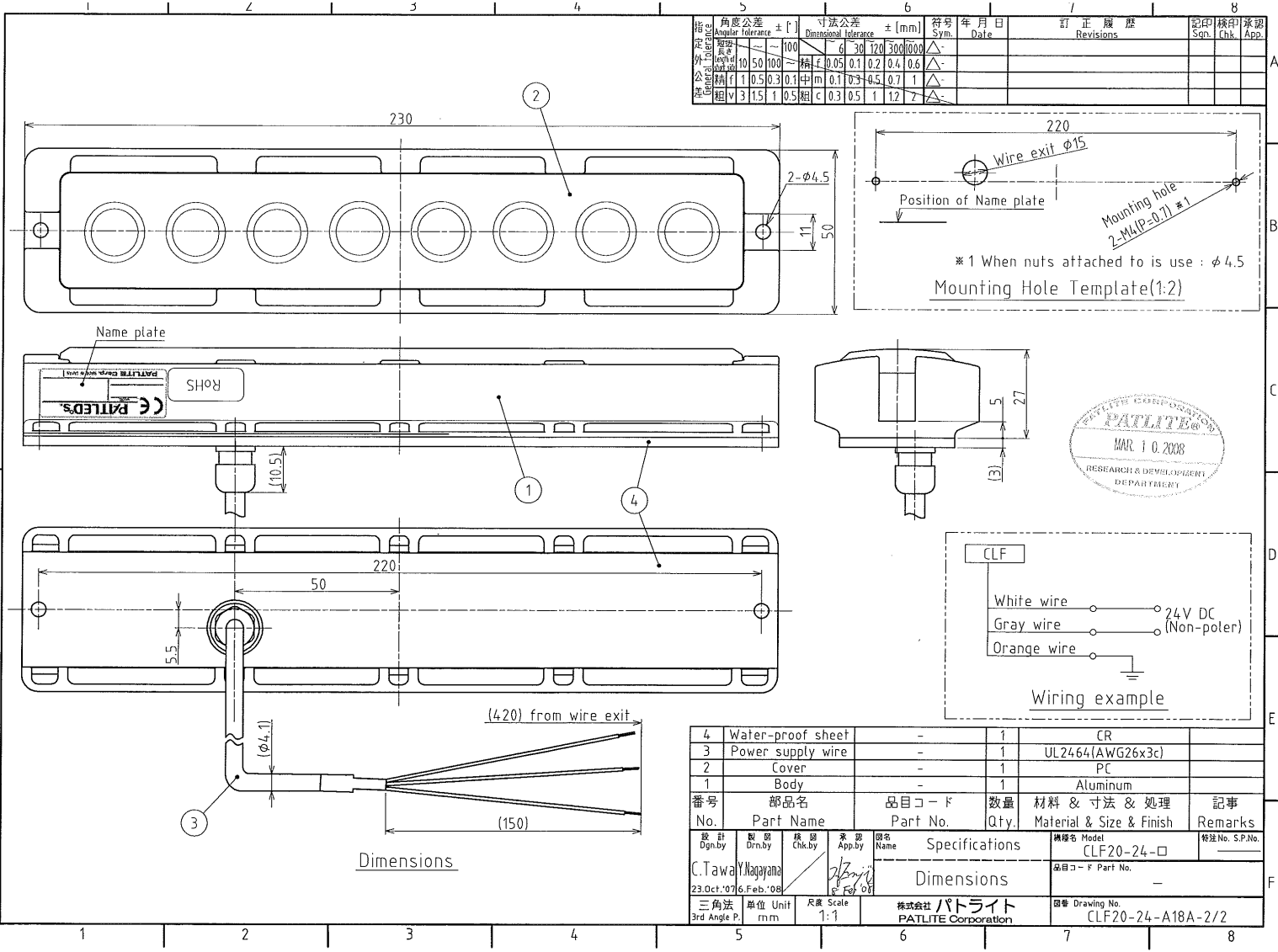
Model		CLF20-24-□		
Color of lighting		R(Red), Y(Amber), C(White)		
Light source		8-LED		
Rated voltage		24V DC (non-polar)		
Operating voltage		Rated voltage±10%		
Current consumption		208mA±20mA		
Operating temperature range (Relative humidity)		-30°C~+60°C (90%RH or less, without the dew condensation)		
Mounting	Place	Indoor only		
	Direction	Any direction		
Protection rating		IP67		
Vibration proof		19.6 m/s <sup>2</sup> (30Hz)		
Illumination at the center(at 50cm)		Red:471lx, Amber:630lx, White:1700lx		
Mass		345g±10g		
No.CLF20-24-A18A-1/2				
<ul style="list-style-type: none"> <li>● This product confirms to the CE requirements and CE Marking is indicated.</li> <li>● This product complies with the RoHS Directive(DIRECTIVE 2002/95/EC)</li> <li>● Model No. configuration</li> </ul> <div style="margin-left: 40px;">             CLF20-24-□              └─ Color of lighting                 R:Red                 Y:Amber                 G:Green           </div> <div style="text-align: center; margin-top: 20px;">  </div>				
<b>PATLITE Corporation</b>		App.by	Chk.by	Drm.by
		<i>P/Konji</i> 8 Feb '08		<i>N. Nigayama</i> 6 Feb '08



指定公差	角度公差 ± [ ]	寸法公差 Dimensional tolerance ± [mm]	符号 Sym.	年月日 Date	訂正履歴 Revisions	記号 Sen.	検印 Chk.	承認 App.
公差	100	6 30 120 300 1000	△					
外公差	10 50 100	精 f 0.05 0.1 0.2 0.4 0.6	△					
公差	1 0.5 0.3 0.1	中 m 0.1 0.3 0.5 0.7 1	△					
公差	3 1.5 1 0.5	粗 c 0.3 0.5	f 12 2					

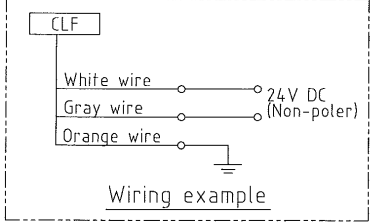


4	Water-proof sheet	-	1	CR	
3	Power supply wire	-	1	UL2464(AWG26x3c)	
2	Cover	-	1	PC	
1	Body	-	1	Aluminum	
番号 No.	部品名 Part Name	品目コード Part No.	数量 Qty.	材料 & 寸法 & 処理 Material & Size & Finish	記事 Remarks
設計 Dgn.by	製図 Drn.by	検印 Chk.by	承認 App.by	図名 Specifications	機種名 Model CLF10-24-□
23.Oct.'07	Y.Nagayama			Dimensions	品目コード Part No. -
23.Oct.'07	6.Feb.'08			株式会社 パトライト PATLITE Corporation	図番 Drawing No. CLF10-24-A18A-2/2
三角法 3rd Angle P.	単位 Unit m.m	尺度 Scale 1:1			



記号 Sym.	年月日 Date	訂正履歴 Revisions	記号 Seq.	検印 Chk.	承認 App.		
角度公差 Angular tolerance ± [°]	寸法公差 Dimensional tolerance ± [mm]	符号 Sym.	年月日 Date	訂正履歴 Revisions	記号 Seq.	検印 Chk.	承認 App.
超等	超等	△					
精密	精密	△					
粗	粗	△					

4	Water-proof sheet	-	1	CR	
3	Power supply wire	-	1	UL2464(AWG26x3c)	
2	Cover	-	1	PC	
1	Body	-	1	Aluminum	
番号 No.	部品名 Part Name	品目コード Part No.	数量 Qty.	材料 & 寸法 & 処理 Material & Size & Finish	記事 Remarks
設計 Dgn.by	製図 Dwn.by	検印 Chk.by	承認 App.by	図名 Name	規格名 Model
C.Tawa	Y.Nagayama			Specifications	CLF20-24-□
23.Oct.'07	6.Feb.'08			Dimensions	品目コード Part No.
三角法 3rd Angle P.	単位 Unit	尺度 Scale	株式会社 PATLITE Corporation	図番 Drawing No.	CLF20-24-A18A-2/2
	m	1:1			



Dimensions

## LIMITED WARRANTY

PATLITE (U.S.A) CORPORATION ("PATLITE") warrant its products to be free from defects in material and workmanship under normal and proper use for a period of one (1) year from the initial date of shipment by PATLITE. In the even of a defect not caused by misuse or damage to the products, PATLITE will, at its option, repair, replace or return the purchase price for, defective products upon PATLITE's inspection. **THIS WARRANTY IS IN LIEU OF AND EXCLUDES ALL OTHER WARRANTIES, REMEDIES AND CONDITIONS, WHETHER EXPRESS, IMPLIED OR STATUTORY, INCLUDING WITHOUT LIMITATION ANY IMPLIED WARRANTIES OF MERCHANTABILITY AND FITNESS FOR A PARTICULAR PURPOSE. IN NO EVENT SHALL PATLITE OR THE MANUFACTURER BE LIABLE FOR ANY SPECIAL, INCIDENTAL OR CONSEQUENTIAL DAMAGES, INCLUDING LOSS OF PROFITS OR "DOWN TIME" DAMAGES, WHETHER ARISING FROM NEGLIGENCE, TORT, STRICT LIABILITY, CONTRACT, WARRANTY OR OTHERWISE. IN NO EVENT SHALL PATLITE OR THE MANUFACTURER BE LIABLE FOR PUNITIVE OR EXEMPLARY DAMAGES.** To request warranty assistance, contact PATLITE to obtain a Return Merchandise Authorization ("RMA") number and return the product to PATLITE with the RMA number. Warranty assistance does not apply if the product is altered or modified in any way after shipment by PATLITE.