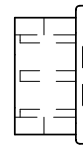
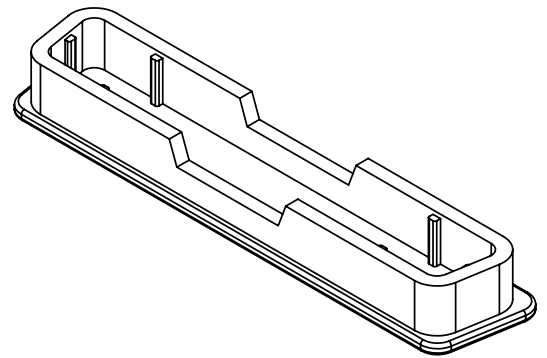
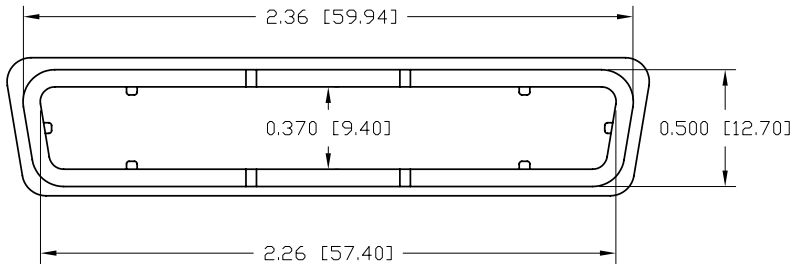
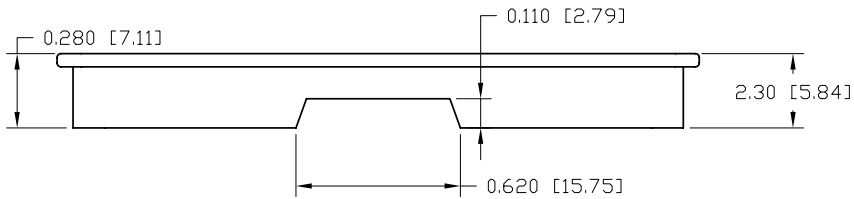
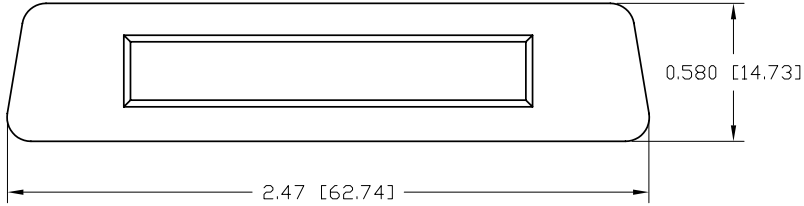


REV	DATE	DESCRIPTION	APP
A	21-FEB-07	ECN 0630	



NOTES:

1. MATERIAL: LOW DENSITY POLYETHYLENE
2. COLOR: WHITE / TRANSLUCENT
3. COMPLIANCE NOTE:
PART MUST BE IN COMPLIANCE TO:
DIRECTIVE 2002/95/EC of 27 January 2003 [RoHS]

THIS IS A CONTROLLED DOCUMENT AND IS SUBJECT TO CHANGE. CONTACT NORTHERN TECHNOLOGIES ENGINEERING FOR THE LATEST REVISION.

UNLESS OTHERWISE SPECIFIED	SIGNATURES	DATE	Northern Technologies		THIS DRAWING IS THE PROPERTY OF NORTHERN TECHNOLOGIES AND SHOULD NOT BE REPRODUCED WITHOUT NORTHERN TECHNOLOGIES WRITTEN PERMISSION.
1. ALL DIMENSIONS ARE IN INCHES (MM) 2. DIMENSIONS ARE TYPICAL	DRAWN	Luis C.	28-SEP-05	PART NUMBER WDBE37P	
	CHECKED	JSD	28-SEP-05	DESCRIPTION 37 POSITION MALE DUST CAP [RoHS]	
	ENG			SHEET	CODE
	ISSUED		28-SEP-05	1	7100_149
				SCALE N.T.S.	SHEET 1 OF 1