

High Power

Part# PRX+	9100	9200	9300	9125	9225	9325	9150	9250	9350
CONTACT FORM	FORM A	FORM B	FORM C	FORM A	FORM B	FORM C	FORM A	FORM B	FORM C
	SPST-NO	SPST-NC	SPDT	SPST-NO	SPST-NC	SPDT	SPST-NO	SPST-NC	SPDT
SWITCHING RATING									
VOLTS DC MAX	250	150	150	120	120	120	300	300	300
AMPS DC MAX	1.0	1.0	1.0	3.0	3.0	3.0	3.0	3.0	3.0
WATTS DC MAX	15	25	25	100	100	100	200	100	100
VOLTAGE HOLDOFF (DC) MIN.	300	300	300	300	150	150	300	300	300
INITIAL RESISTANCE (OHMS)	.30	.30	.30	.70	.70	.70	.70	.70	.70
OPERATING TEMP RANGE (°C)	+80	+80	+80	+80	+80	+80	+80	+80	+80
D-MUST OPERATE (INCH)	.750	.750	.750	.750	.750	.750	.500	.500	.500
D-MUST RELEASE (INCH)	1.500	1.500	1.500	1.500	1.500	1.500	1.500	1.500	1.500
WIRE COLOR/ AWG	WHT/22	RED/22	RED-N. C/22 WHT-N. O/22 BLK- COM/22	WHT/22	RED/22	RED-N. C./22 WHT-N. O./22 BLK- COM/22	WHT/22	RED/22	RED-N. C/22 WHT-N. O/22 BLK- COM/22
ACTUATOR PART NO.	9000ACT	9000ACT	9000ACT	9000ACT	9000ACT	9000ACT	9000ACT	9000ACT	9000ACT
NOTES:									

Part Number **PRX+9250** Contact Form **B** Switch Configuration **SPST** Rev. **D**

High Power Proximity Sensor

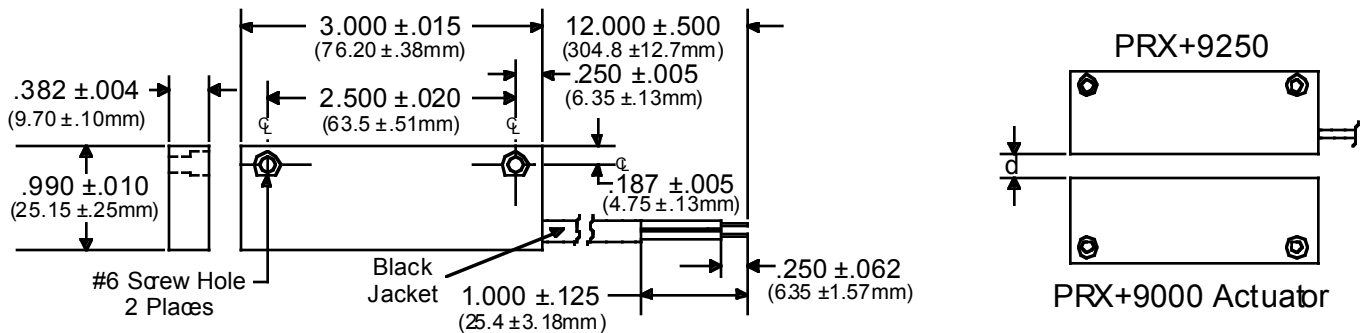
Features	Advantages
<ul style="list-style-type: none"> • Hermetically sealed contacts • Black ABS housing • Jacketed cable • Tungsten contacts 	<ul style="list-style-type: none"> • Extended operations in extreme environments • Not ESD sensitive • Custom sensitivity and configurations available • High power switching capability • Housing material flame rating: UL94

Electrical Specifications

Power		Watts - maximum	100
Voltage	Switching	VDC - maximum	300
	Breakdown	VDC - minimum	300
Current	Switching	Amp - maximum	3
	Carry	Amp - maximum	TBD
Resistance	Initial Contact Resistance	Ohm - maximum	0.7
	Insulation Resistance	Ohm - minimum	1E10
Capacitance	Contact	pF - typical	3.0
Temperature	Operating	°C - maximum	+80
	Storage	°C	-100 to +105

Physical/Operational Specifications

Housing Volume	Excluding Connection	CC - nominal	18.6
External Connection	22 AWG	UL 2464	PVC
Must Operate	Distance (d)	Inches	0.500
Must Release	Distance (d)	Inches	1.500
Operate Time	Including Bounce	mSeconds - maximum	4.20
Release Time	Including Bounce	mSeconds - maximum	3.70


Notes:

- (1) Specifications are not constant across entire magnetic range.
- (2) Customer must exercise care in handling and mounting to prevent damage to internal components and subsequent changes to sensor performance.
- (3) For information about performance, custom configuration (i.e. wire length or color; connectors; operational variation), or packaging contact our Sales department.
- (4) Information contained hereon is for informational purposes only and should not be deemed as accurate for a specific application. Consult factory for specific application information and/or latest revision.