

Single Shot Q2T Series

FEATURES

- 100% functionally tested
- Solid state digital timing
- Time delays to 5 hours standard
- 20:1 maximum to minimum timing ratio
- Cost efficient
- Compact size
- Superior transient protection
- Epoxy encapsulated
- Flame-retardant and solvent-resistant polyester thermoplastic housing
- Trimpot on-board with sealed cermet element
-  File #E65038

Operating Logic: Power is applied to the timer at all times. Upon a momentary or maintained closure of a normally open isolated start switch, the output is energized and the time delay starts. At the end of the preset time delay, the output is de-energized and the unit is ready for a new cycle.

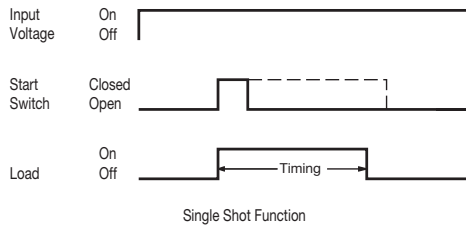
Note: 1) Do not apply voltage or ground to the start switch; 2) Switch leads should be shielded when running close to other wires. (Start switch supplied by customer.)

ORDERING INFORMATION

TIME RANGE	120 VAC ±10%
.05 to 1 sec.	Q2T-00001-321
.25 to 5 sec.	Q2T-00005-321
.5 to 10 sec.	Q2T-00010-321
3 to 60 sec.	Q2T-00060-321
15 to 300 sec.	Q2T-00300-321
30 to 600 sec.	Q2T-00600-321
180 to 3600 sec.	Q2T-03600-321
.25 to 5 hrs.	Q2T-18000-321

Trigger time (start switch closure)	20 ms
Reset time	300 ms
Min. load	2 mA
Max. leakage current	200 uA
Voltage drop at 1 A	3.3 V max.
Power consumption	4.3 VA max.
Peak 1 cycle surge	20 A
Protection	30j. MOV

LOGIC FUNCTION DIAGRAM



SPECIFICATIONS

TIME DELAY

Adjustment: On-board Trimpot
Range: 50 ms to 5 hours in 8 ranges
Repeatability: ±.5% +8 ms max. (0.25% typical) at constant temperature
Accuracy: Maximum time +10%, -0%; Minimum time -30%, +0%

INPUT

Operating Voltage: 120 VAC ±10%
Frequency: 50/60 Hz

OUTPUT

Type: Solid state, normally open
Rating: 1 A resistive or inductive
Life: 100,000,000 cycles

PROTECTION

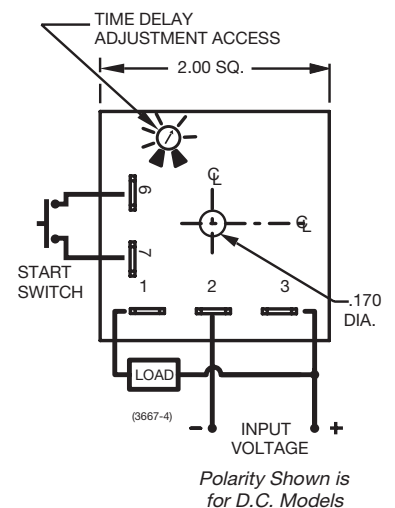
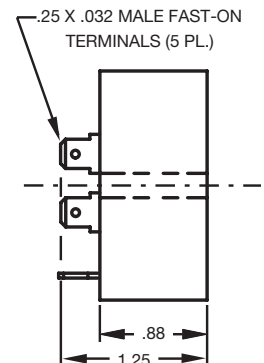
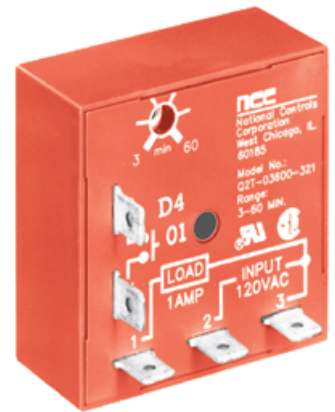
Transient Voltage: 30 joule metal oxide varistor
Dielectric Breakdown: 3000 VAC, RMS, terminals to mounting
Insulation Resistance: 100 megohms min. between terminals and case

MECHANICAL

Termination: .25" x .032" male fast-on terminals
Mounting: Surface mount with one #8 screw

ENVIRONMENTAL

Storage Temperature: -40°C to 85°C
Operating Temperature: -40°C to 65°C
Humidity: 95% relative



Consult factory for any special requirements not listed in catalog (minimum order requirement may apply).