

Back

- o Flat Cable Connectors SEK
- o har-mik®
- o D-Sub
- o InduCom

Applications

Product details

09 45 145 1100 HARTING PushPull RJ45 (V4)

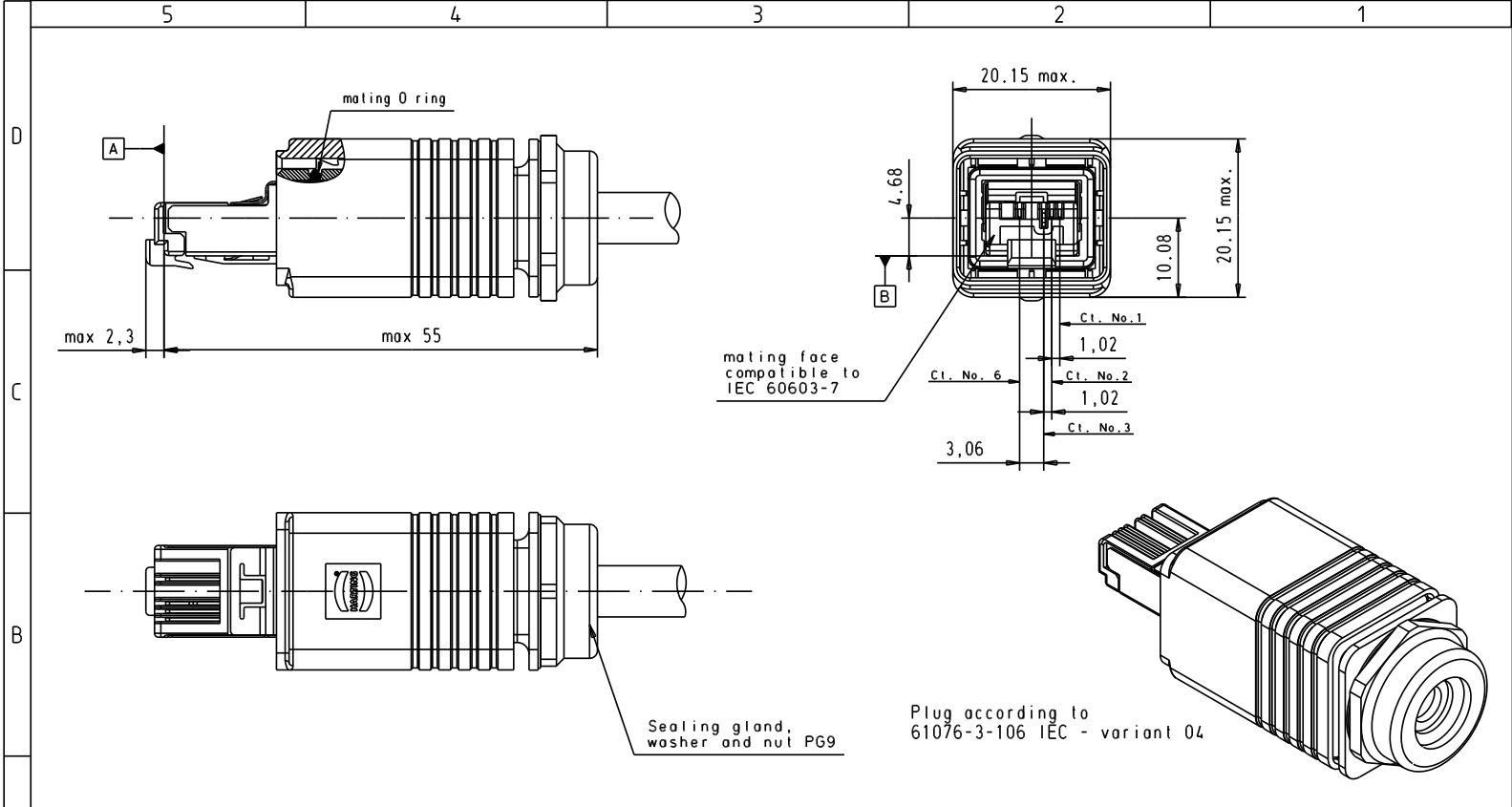
Series	HARTING PushPull RJ45 (V4)
Housing material	Plastic, black
Protection level	IP 65 / IP 67
Mating interface	RJ 45 in acc. to IEC 60603-7
Temperature range	-40 °C ... + 70 °C
Mating cycles	mind. 750
No. of contacts	4-pole, Category 5
Cable diameter	6.5 mm - 8.6 mm
RoHS compliant	Yes

Available Downloads

Title	Format	
Data sheet	PDF	download
CAD data 2D	DXF	download
CAD data 3D	IGES	download

Inquiry

Alle Rechte vorbehalten/ All rights reserved





Sealing gland, washer and nut PG9

Plug according to 61076-3-106 IEC - variant 04

Cable diameter : 6.5 to 7.2 mm
 AWG 22 to AWG 23 Solid &
 AWG 22 to AWG 24 Stranded
 With wires O.D max. 1.6mm.

09 45 145 1100	Au: 1.27 μm over nickel
Part Number	Data contact plating

				Del.	Name	 All Dim. in mm Orig. Size DIN A 4	RJ-Industrial Push pull thermoplastic IP67 shielded Plug with 4 datas contacts	Maßstab/ Scale 1.5:1
			Detail.	10-Oct-02	JFB			
			Insp.					
33265	15/11/05	AM	Stand.					
31554	08-Oct-03	JFB						
31394	18-fec-03	PP						
			HARTING EURL F-95972 Paris				TB 09 45 145 1100	Blatt/ Page 1/1