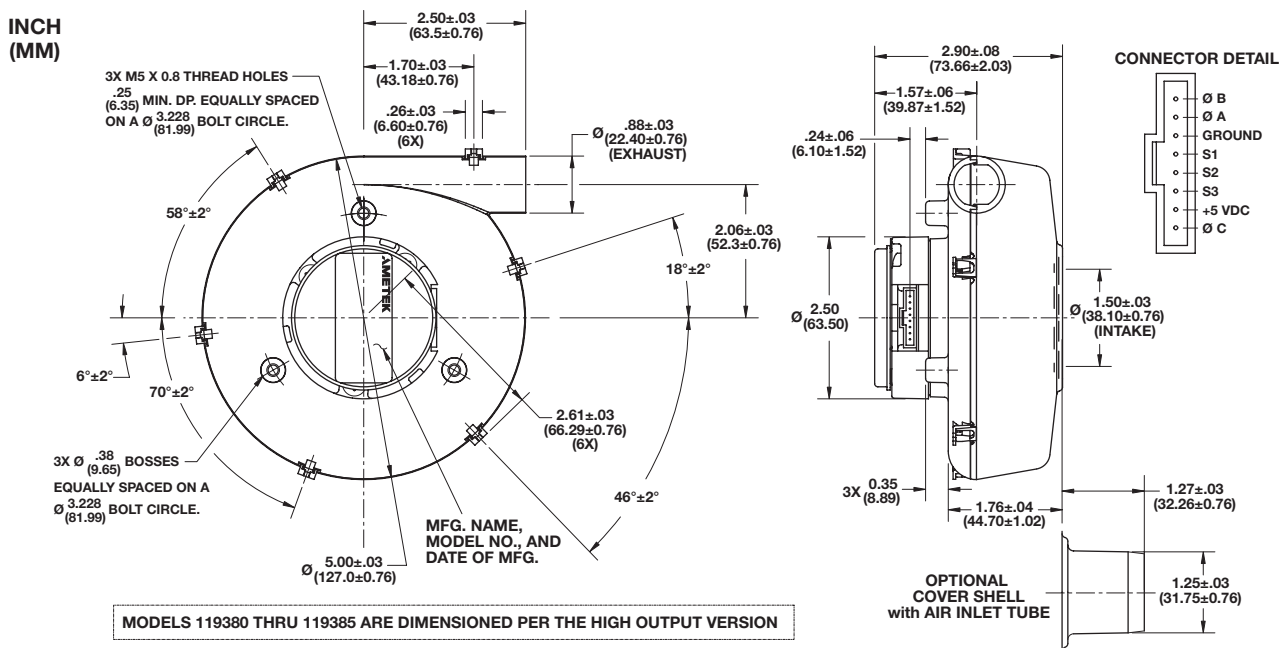


5.0" (127mm) BLDC Low-Voltage Blower

12/24 VDC, Standard Flow System



Blower Data	Unit of Measure	Part Number			
		119380 (150017)*	119381 M* 119382 E*	119383 (150016)*	119384 M* 119385 E*
Voltage Input	VDC	12	12	24	24
Stages	—	1	1	1	1
Pressure, Maximum (Sealed Pressure)	in. H ₂ O	13.5	13.5	12.5	12.5
	mBar	33.6	33.6	31.1	31.1
Flow Rate, Maximum (Open Flow)	CFM	32.3	32.3	35.3	35.3
	m ³ /hr	54.9	54.9	60.0	60.0
Drive Electronics	Internal or External	External	Internal	External	Internal

* These part numbers are available through AMETEK Technical & Industrial Products' distributors.

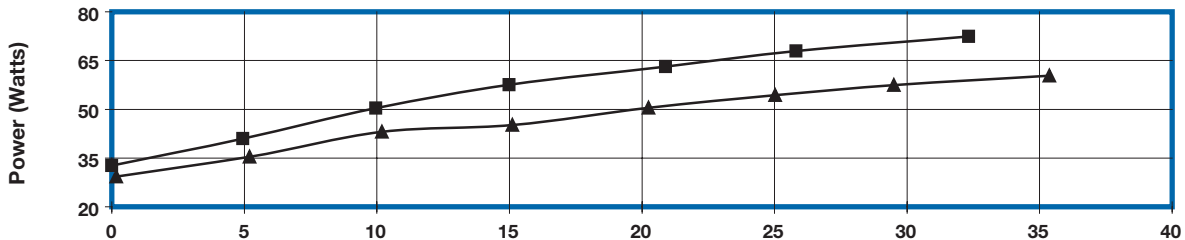
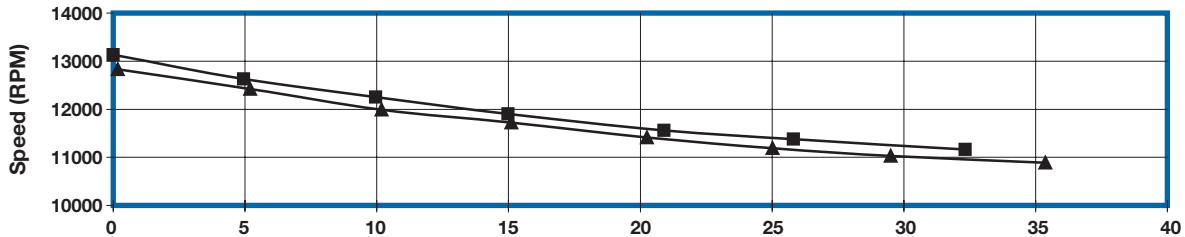
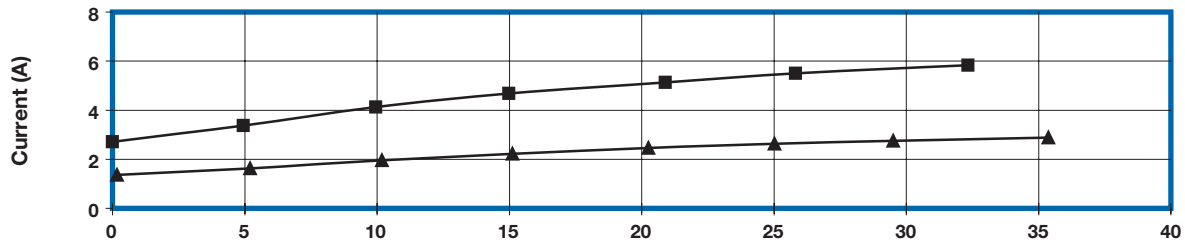
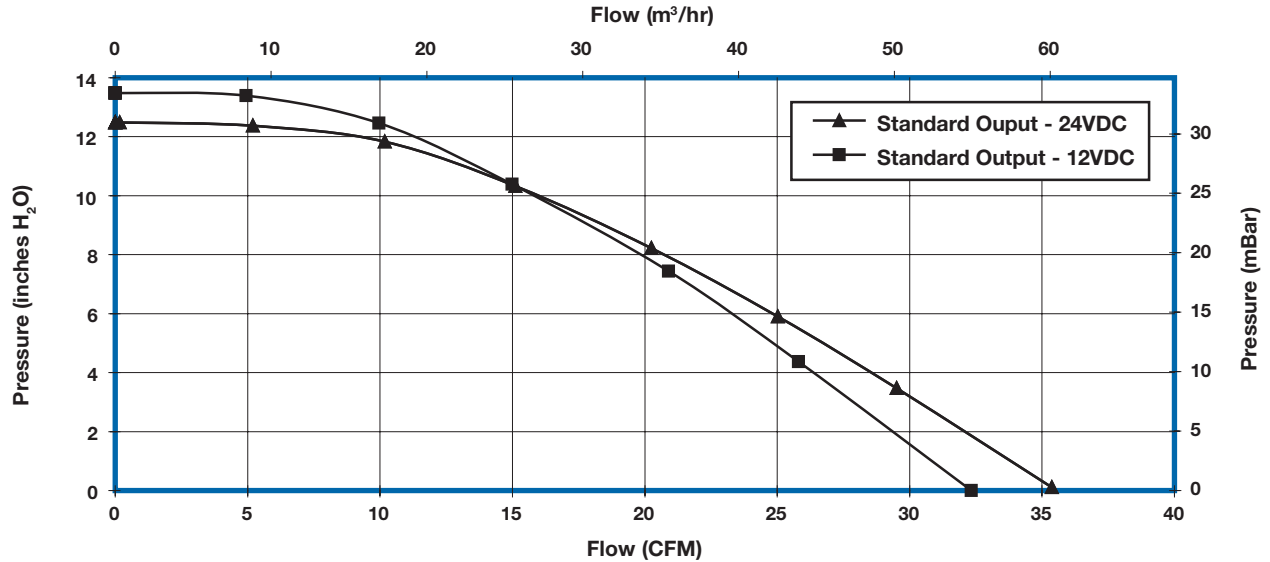
NOTES:

- **Temperature:** Working Air: 0°C to 45°C, Ambient Air: 0°C to 45°C, Storage Air: -40°C to 85°C.
- **Dielectric Testing:** 500 volts AC RMS 60Hz applied for one second between input pins and ground, one milliamps leakage max.
- **Speed Control:** Internal – E (Electrical): Pulse Width Modulated or Analog input voltage (user supplied), 0 to 5 Volts DC nominal.
M (Mechanical): A potentiometer is available for speed control of the blower. The potentiometer can be preset for a specific speed.
External – These blowers require a 3 phase electronic commutated input to operate. A separate blower controller provides this input and speed control. Refer to the controller section (page 118) of this catalog for additional information.
- Models 119380 thru 119385 are dimensioned per the high output version - see following pages.
- Customized performance available upon request. Please contact AMETEK Technical & Industrial Products' Marketing and Sales Department.
- Models 150016 and 150017 include a two (2) plane balancing option for reduced vibration per above drawing.
- Models 119380 thru 119385 can be configured and modified for a two (2) plane balance option.
- When blowers are used in a vacuum condition, there will be an approximate reduction of 3% in the air performance.
- Standard hard mounting is done via the three (3) mounting bosses on the motor side of the blower.
- See controller section for models that require external drive electronics.
- **Optional** – cover shell with air inlet tube.

5.0" (127mm) BLDC Low-Voltage Blower

12/24 VDC, Standard Flow System

TYPICAL PERFORMANCE



**LOW-VOLTAGE
BLDC BLOWERS**

This document is for informational purposes only and should not be considered as a binding description of the products or their performance in all applications. The performance data on this page depicts typical performance under controlled laboratory conditions using AMETEK BLDC motor controllers. Actual performance will vary depending on the operating environment and application. AMETEK products are not designed for and should not be used in medical life support applications. AMETEK reserves the right to revise its products without notification. The above characteristics represent standard products. For product designed to meet specific applications, contact AMETEK Technical & Industrial Products Marketing and Sales.

AMETEK TECHNICAL & INDUSTRIAL PRODUCTS

627 Lake Street, Kent OH 44240

Tel: +1 330-673-3452 • Fax: +1 330-677-3306 • www.ametektip.com