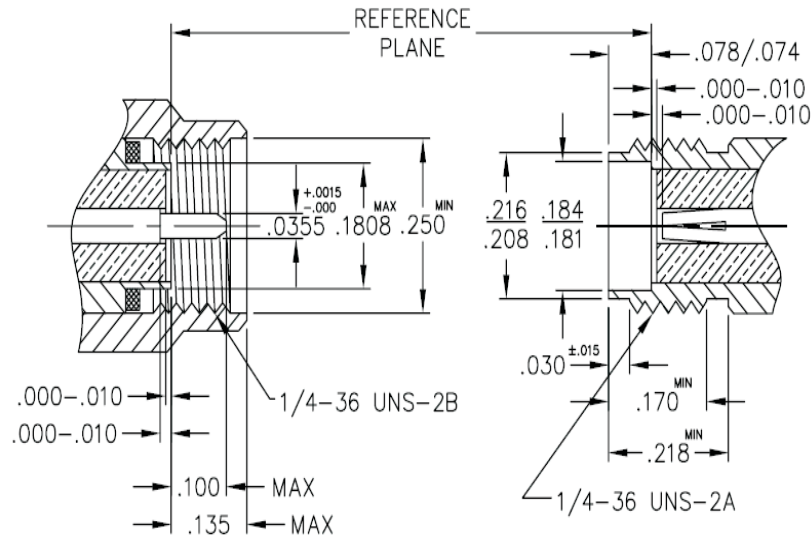


ABBATRON**50 OHM SMA****ABBATRON**

ELECTRICAL	
IMPEDANCE	50 ohm
FREQUENCY RANGE	DC-18 GHz S/R & UNCABBLED DC-12.4 GHz ON FLEXIBLE CABLE
WORKING VOLTAGE	RG178: 170 VRMS MAX. RG-316, .085": 250 VRMS MAX. RG-142, .141": 335 VRMS MAX.
DIELECTRIC WITHSTANDING VOLTAGE	RG178: 500 VRMS MIN. RG-316, .085": 750 VRMS MIN. RG-142, .141": 1000 VRMS MIN.
VSWR	STRAIGHT 1.3 MAX. RIGHT ANGLE 1.5 MAX.
CONTACT RESISTANCE	CENTER CONTACT 6 milliohms MAX. OUTER CONTACT 2 milliohms MAX.
INSULATOR RESISTANCE	5000 Megohms MIN.

MATERIAL		
FEATURE	MATERIAL	FINISH
BODY	BRASS, QQ-B-626	GOLD 3 μ in
CENTER CONTACTS	M: BRASS, QQ-B-626 F: BeCu, QQ-C-530	GOLD 30 μ in GOLD 30 μ in
INSULATORS	PTFF	NONE
CRIMP FERRULES	ANNEALED BRASS	GOLD 3 μ in
CLAMP GASKETS	SILICONE RUBBER	NONE

MECHANICAL & ENVIRONMENTAL	
ENGAGEMENT FORCE	2 in-lbs. MAX
DISENGAGEMENT FORCE	2 in-lbs. MAX
COUPLING NUT RETENTION	60 lbs. MIN
COUPLING PROOF TORQUE	15 in-lbs. MIN
CONTACT RETENTION	6 lbs MIN
DURABILITY	500 CYCLES MIN
TEMPERATURE RANGE	-65°C TO 165°C
VIBRATION	MIL-STD-202 METHOD 204, COND. B
SALT SPRAY	MIL-STD-202 METHOD 101, COND. B
THERMAL SHOCK	MIL-STD-202 METHOD 107, COND. B

<http://www.abbatron.com>