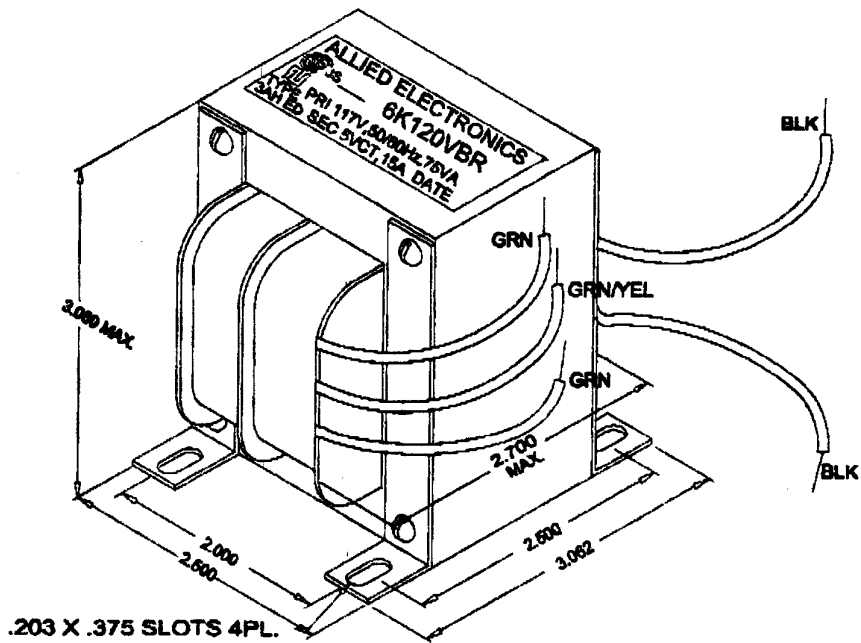
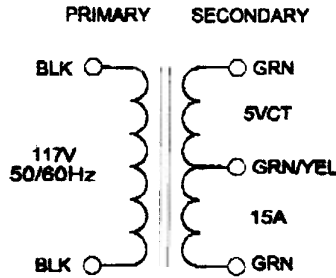


Attn: Gpdy - Drawing for part # 6K120VBR.

Revised
March
3-31

** TOTAL PAGE 02 **

EDB6K120VBR



NOTE: ALL LEADS 9.0" LONG OUT MIN. STRIP 0.312".

HAMMOND ELECTRONICS
52 RANKIN PLACE,
WATERLOO, ONTARIO, N2J 3Z5.
PHONE (519) 888-8181
FAX # (519) 888-9540

TITLE		6K120VBR	
		DR BY C. ILIE	
		DATE 31/03/99	
NO	DATE	REVISION	DIM INCOMM ()

EDB6K120VBR