

BeCu PLUNGER TIPS

	A
	B
	D
	F
	G
	H
	HK
	HL
	J
	JS
	K
	LM
	S
	T
	TX
	V
	V8
	W

PROBE SPECIFICATIONS

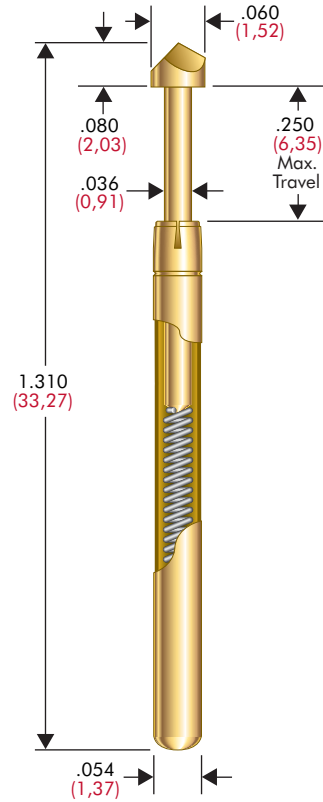
Minimum Centers: .100 (2,54)
 Current Rating: 3 amps continuous
 Spring Force: 5.5, 6.7, 8.0, 10.0 or 17.0 oz. @.170 (4,32) travel
 Typical Resistance: <8 mΩ
 Working Travel: .170 (4,32)

Rated Force oz (gms)	Preload oz (gms)	Material
5.5 (156)	2.4 (68)	MW
6.7 (190)	2.8 (80)	SS
8.0 (227)	3.3 (94)	MW
10.0 (283)	3.7 (105)	MW
17.0 (483)	6.8 (193)	MW

MATERIALS

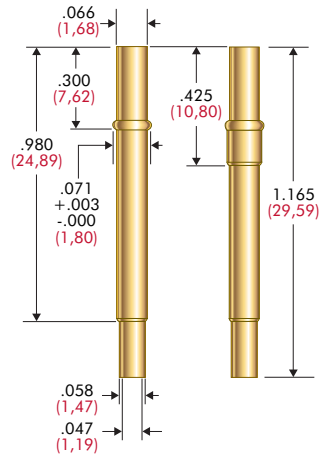
Barrel: G2
 Spring: Music wire, nickel plated or stainless steel
 Plunger: Full-hard beryllium copper or steel, gold plated over nickel
 Receptacle:
 High Performance Series (R or RX): Nickel/silver, gold plated; gold plated post
 Standard Series (RS or RSX): Nickel/silver; gold plated post

ICT-100 PROBE



R-100 Receptacle

R Series RX Series



Drill Size: #50
 Mounting Hole Size: .068/.070 (1,73/1,78)
 Recommended Wire: 22-26 gage

RECEPTACLE OPTIONS

Part Number	Style	Receptacle Length	Probe/Receptacle Combined Length	Comments
R-100-CR	Crimp	1.165 (29,59)	1.495 (37,97)	—
R-100-SC	Solder Cup	1.165 (29,59)	1.495 (37,97)	—
R-100-RP	Round Post	1.540 (39,12)	1.870 (47,50)	.375 post length - .025 dia.
R-100-WW-429	Wire Wrap	1.594 (40,49)	1.924 (48,87)	.429 post length - .025 sq.
R-100-WW-694	Wire Wrap	1.859 (47,22)	2.189 (55,60)	.694 post length - .025 sq.
R-100-WW-1.044	Wire Wrap	2.209 (56,11)	2.539 (64,49)	1.044 post length - .025 sq.

STEEL PLUNGER TIPS

	B
	M
	NT
	R

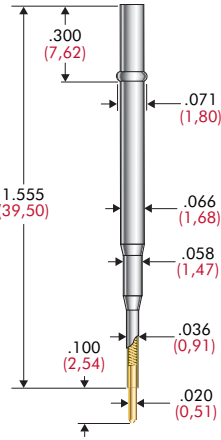
STEEL PLUNGER TIPS

	S
	SP
	SPB
	SW

STEEL PLUNGER TIPS

	SWS
	U
	UR
	VLT

R-100-J-DE
Wireless Receptacle



Drill Size: #50
Mounting Hole Size:
.068/.070 (1,73/1,78)

For more information,
see page 25.

PROBE SPECIFICATIONS

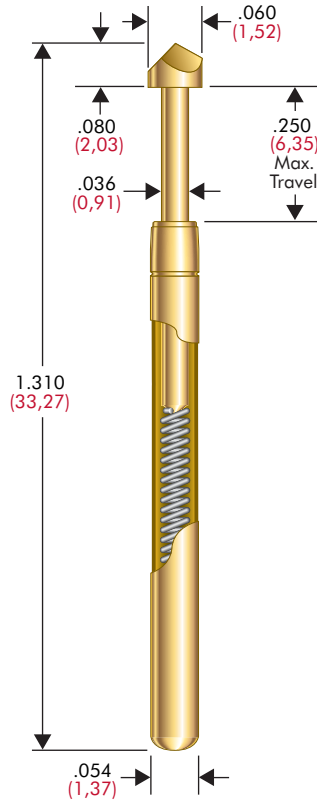
Minimum Centers: .100 (2,54)
Current Rating: 3 amps
continuous
Spring Force: 3.5, 5.5, 6.7,
8.0, 10.0 or 17.0 oz.
@.170 (4,32) travel
Typical Resistance: <25 mΩ
Working Travel: .170 (4,32)

Rated Force oz (gms)	Preload oz (gms)	Material
3.5 (99)	1.5 (43)	BeCu
5.5 (156)	2.4 (68)	MW
6.7 (190)	2.8 (80)	SS
8.0 (227)	3.3 (94)	MW
10.0 (283)	3.7 (105)	MW
17.0 (483)	6.8 (193)	MW

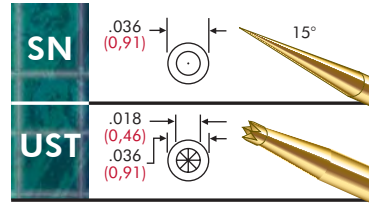
MATERIALS

Barrel: G2
Spring: Music wire, nickel
plated, stainless steel or
beryllium copper, precious
metal plated
Plunger: Full-hard beryllium
copper or steel, gold plated
over nickel
Receptacle:
High Performance Series
(R or RX): Nickel /silver, gold
plated; gold plated post
Standard Series (RS or RSX):
Nickel /silver, gold plated
post

S-100 PROBE

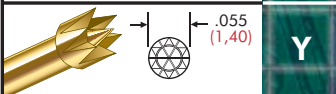
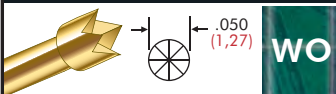


STEEL PLUNGER TIPS

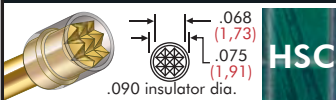


NOTE: The above
plunger tips are only
available in the S-100
series. All plunger tips
offered in the ICT-100
series are also available
in the S-100 series.

STEEL PLUNGER TIPS



INSULATED PLUNGER TIP*



* Available in beryllium copper only

HOW TO ORDER: SPRING CONTACT PROBE

ICT	100	T	5.5	G	S
SERIES	SIZE	TIP STYLE	SPRING FORCE	PLATING OPTION	STEEL PLUNGER OPTION

SERIES:
ICT: High Performance
S: Standard Performance
(No Bifurcated Beam)
CRIMPING PLIERS: CPR100
INSERTION TOOL: RTR100

SPRING FORCE:
3.5 oz. @ .170 (4,32) travel*
5.5 oz. @ .170 (4,32) travel
6.7 oz. @ .170 (4,32) travel
8.0 oz. @ .170 (4,32) travel
10.0 oz. @ .170 (4,32) travel
17.0 oz. @ .170 (4,32) travel

*S-100 Series only

RECEPTACLE

R	100	WW	429
SERIES	SIZE	TERMINATION	POST LENGTH

SERIES:
R: High Performance
RX: Improved Pointing
Accuracy, High
Performance
RS: Standard
Performance
RSX: Improved Pointing
Accuracy, Standard
Performance

TERMINATION:
CR: Crimp
SC: Solder Cup
RP: Round Post
WW: Wire Wrap

POST LENGTH:
WW: 429,
694 or
1.044

View updates of this information at www.idinet.com

Specifications subject to change without notice. Dimensions in inches (millimeters)