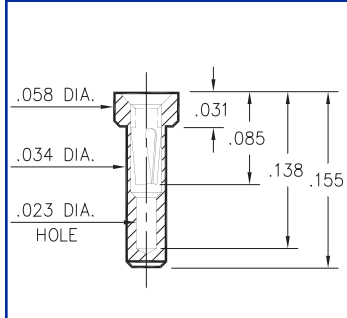
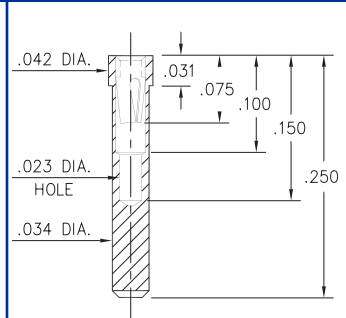


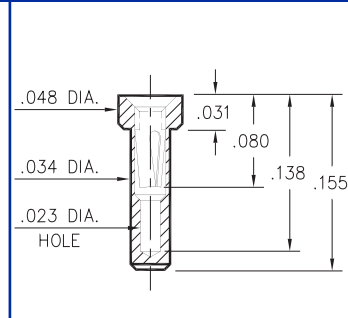
**0548                      8975                      3016                      9548**



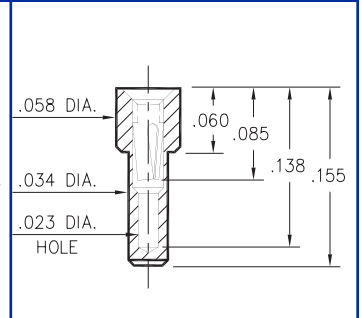
**0548-0-15-XX-21-XX-10-0**  
Solder mount in .036 min. mounting hole



**8975-0-15-XX-21-XX-10-0**  
Solder mount in .036 min. mounting hole

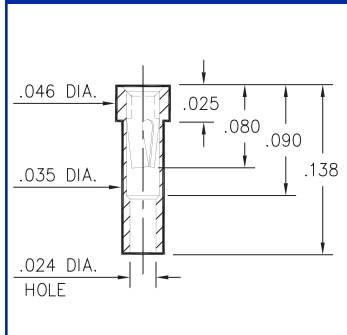


**3016-0-15-XX-21-XX-10-0**  
Solder mount in .036 min. mounting hole

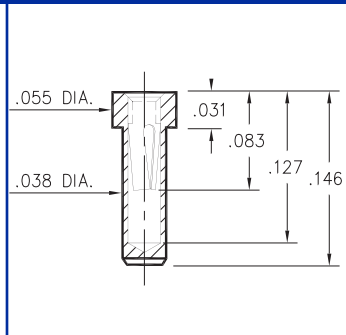


**9548-0-15-XX-21-XX-10-0**  
Solder mount in .036 min. mounting hole

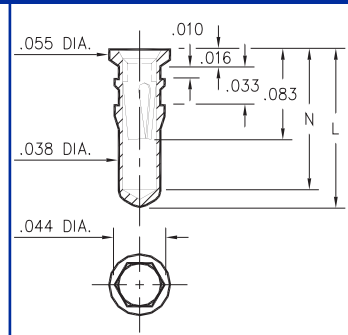
**8637                      1407                      0553/8553**



**8637-0-15-XX-21-XX-10-0**  
Solder mount in .037 min. mounting hole



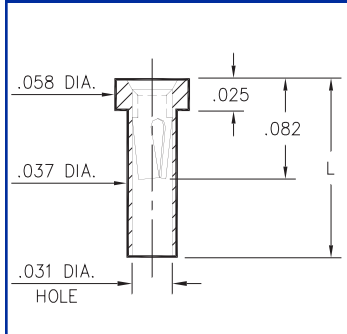
**1407-0-15-XX-11-XX-10-0**  
Solder mount in .040 min. mounting hole



**X553-X-15-XX-X1-XX-10-0**  
Hex press-fit in .041 plated thru hole

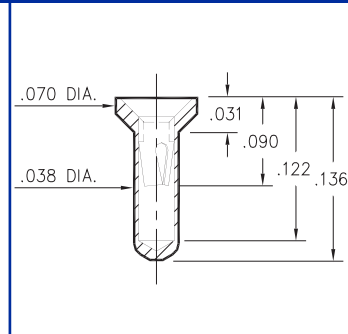
Basic Part Number	Length L	Depth N
0553-1	.140	.124
0553-2	.170	.154
0553-3	.282	.266
8553-0	.245	.229

**0566                      0442                      0554**

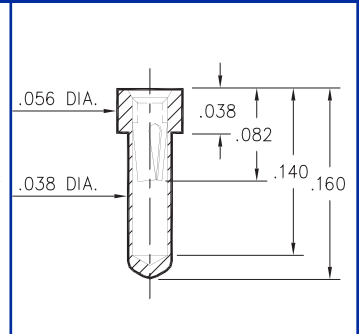


**0566-X-15-XX-21-XX-10-0**  
Solder mount in .039 min. mounting hole

Basic Part Number	Length L
0566-1	.083
0566-2	.138



**0442-0-15-XX-11-XX-10-0**  
Solder mount in .040 min. mounting hole



**0554-0-15-XX-21-XX-10-0**  
Solder mount in .040 min. mounting hole

**SPECIFICATIONS**

**SHELL MATERIAL:**  
Brass Alloy 360, 1/2 Hard

**CONTACT MATERIAL:**  
Beryllium Copper Alloy 172, HT

**DIMENSION IN INCHES TOLERANCES ON:**  
LENGTHS: ±.005  
DIAMETERS: ±.002  
ANGLES: ± 2°

**ORDER CODE: XXXX - X - 15 - XX - XX - XX - 10 - 0**

**BASIC PART #** →

**SPECIFY SHELL FINISH:**

- 01 200µ" TIN/LEAD OVER NICKEL
- 80 200µ" TIN OVER NICKEL ◊
- 15 10µ" GOLD OVER NICKEL ◊

**SPECIFY CONTACT FINISH:**

- 02 100µ" TIN/LEAD OVER NICKEL
- 84 100µ" TIN OVER NICKEL ◊
- 27 30µ" GOLD OVER NICKEL ◊

**SELECT CONTACT**  
#11 or #21 CONTACT (DATA ON PAGE 217)

Downloaded from Elcodis.com electronic components distributor