

## Related Products

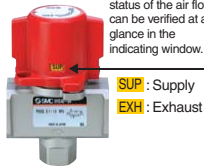
### Conforming to OSHA Standard Pressure Relief 3-Port Valve with Locking Hole VHS 20/30/40/50

Manually operated valve can be used to prevent accidents caused by residual pressure in pneumatic lines.

Can prevent accidents due to inadvertent air supply.

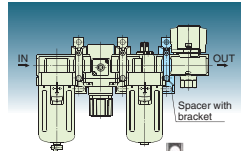
When in the exhaust position, the valve may be padlock secured. Prevents accidental start-ups while personnel are cleaning or servicing equipment.

The supply/exhaust status of the air flow can be verified at a glance in the indicating window.



OSHA standard (Occupational Safety and Health Administration Department of Labor)

For safety control, OSHA rule requires energy sources for certain equipment be turned off or disconnected and that the device either be locked or labelled with a warning tag.

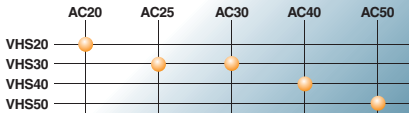


Spacer with bracket



Combination with a modular style FRL

Combination with a modular style FRL is possible.



An interface part is required if a spacer or spacer with bracket shown in the table below is attached to a modular FRL.

Pressure relief 3-port valve	Interface P/N	Spacer with bracket P/N	Applicable air preparation equipment
VHS20	Y200	Y200T	AC20
VHS30	Y300	Y300T	AC25, AC30
VHS40	Y400	Y400T	AC40
VHS40-06	Y500	Y500T	AC40-06
VHS50	Y600	Y600T	AC50, AC60 (Note)

Note) Although connection to AC60 is possible, the flow rate may decrease due to the mounting position.

### Locations in North America

- Atlanta
- Indianapolis [M]
- Phoenix
- Austin
- Los Angeles [M]
- Portland
- Boston
- Milwaukee
- Richmond
- Charlotte
- Minneapolis
- Rochester
- Chicago
- Montreal
- San Francisco
- Cincinnati
- Nashville
- St. Louis
- Cleveland
- New Jersey
- Tampa
- Dallas
- Toronto [M]
- Detroit
- Vancouver
- Windsor

[ M ] = Manufacturing

## Locations Worldwide!

### The Americas

- Argentina
- Bolivia
- Brazil
- Canada
- Chile
- Mexico
- U.S.A.
- Venezuela

### Europe

- Austria
- Bulgaria
- Croatia
- Czech
- Denmark
- Estonia
- Finland
- France
- Germany
- Hungary
- Ireland
- Italy
- Latvia
- Lithuania
- Netherlands
- Norway
- Poland
- Romania
- Russia
- Slovakia
- Slovenia
- Sweden
- Spain/Portugal
- Switzerland
- U.K.

### Asia

- China
- Hong Kong
- India
- Japan
- Malaysia
- Philippines
- South Korea
- Singapore
- Taiwan
- Thailand

### Oceania

- Australia
- New Zealand



SMC Corporation of America  
3011 N. Franklin Road  
Indianapolis IN 46226

1-800-762-7621 (1-800-SMC-SMC1)  
[www.smccusa.com](http://www.smccusa.com)

SMC Pneumatics (Canada) Ltd.  
6768 Financial Drive Mississauga  
Ontario L5N 7J6 Canada

(905) 812-0400  
[www.smcpcneumatics.ca](http://www.smcpcneumatics.ca)

© 2006 SMC Corporation of America. All Rights Reserved.  
All reasonable efforts to ensure the accuracy of the information detailed in this catalog were made at the time of publishing. However, SMC can in no way warrant the information herein contained as specifications are subject to change without notice.  
Nov06-JBS25M-LA



## Soft Start Up Valve With Lock Out



### Series AVL2000/3000/4000/5000

## Soft start up valve with lock out

- Large effective area
- Low power consumption
- Manual/Manual solenoid lock out
- Modular design

## AVL2000/3000/4000/5000

O.S.H.A compliant-lockable soft start valve. Gradual increase of supply pressure and rapid exhaust of system air when the supply is shut off.

### How to Order

**AVL 20 00 - F 02 G 5 DZM - R**

Soft start valve with lock out

**Body size**

20	1/4
30	3/8
40	1/2
50	3/4, 1

**Port thread**

Nil	Rc
N	NPT
F	G

**Port size**

02	1/4 (AVL2000)
03	3/8 (AVL3000)
04	1/2 (AVL4000)
06	3/4 (AVL5000)
10	1 (AVL5000)

**Rated coil voltage**

Nil	Manual lockout
1	100VAC (50/60Hz)
2	200VAC (50/60Hz)
3	110 to 120VAC (50/60Hz)
4	220VAC (50/60Hz)
5	24VDC
6	12VDC
9	Others

**Option**


Nil	No gauge
G	Pressure gauge (Unit: MPa)
P	Pressure gauge (Unit: MPa, psi)

**Air direction**

Nil	Left to Right
R	Right to Left

**Electric entry**

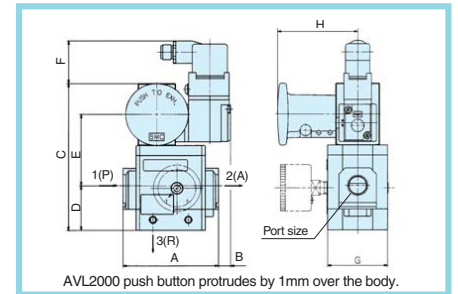
Nil	Manual lockout
D	D type DIN connector
DZ	D type DIN connector with indicator light & suppressor
DZM	D type DIN connector with M12 connector, indicator light & surge voltage suppressor



### Dimension AVL2000 to AVL5000

(mm)

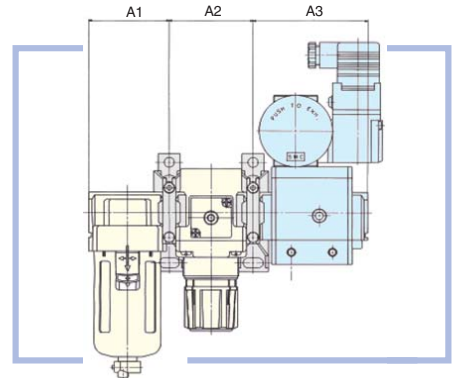
Model	Port size	A	B	C	D	E	F	G	H
AVL2000-02	1/4	67	-	111	31	55	-	40	64 (Max. 73)
AVL2000-02-DZM	1/4	67	20.5	111	31	55	34	40	64 (Max. 73)
AVL3000-03	3/8	76	-	118	36	57	-	48	64 (Max. 73)
AVL3000-03-DZM	3/8	76	12.5	118	36	57	34	48	64 (Max. 73)
AVL4000-04	1/2	98	-	133	47	61	-	52	64 (Max. 73)
AVL4000-04-DZM	1/2	98	-	133	47	61	34	52	64 (Max. 73)
AVL5000-06 to 10	3/4 & 1	128	-	161	59	77	-	74	64 (Max. 73)
AVL5000-06 to 10-DZM	3/4 & 1	128	-	161	59	77	34	74	64 (Max. 73)



### Dimension AC20\* to AC60\*

(mm)

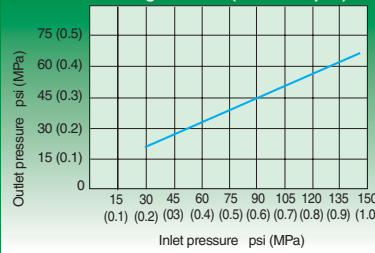
Model	A1	A2	A3
AC20*	41.5	43	67.5
AC25*	55	57	78
AC30*	55	57	78
AC40*	72.5	75	100.5
AC50*	93	96	131
AC55*	98	96	131
AC60*	98	101	131



### Specifications

Model	AV2000	AV3000	AV4000	AV5000		
Port size	1/4	3/8	1/2	3/4		
Proof pressure	225psi (1.5MPa)					
Operating pressure range	30 to 150psi (0.2 to 1MPa)					
Ambient and fluid temperature	32 to 140°F (0 to 60°C)					
Effective area (mm <sup>2</sup> )	1(P) to 2(A)	20	37	61	113	122
	2(A) to 3(R)	24	49	76	132	141
Weight manual/solenoid (Kg/lb)	0.64 (1.14)	0.74 (1.63)	1.00 (2.21)	1.90 (4.19)	1.84 (4.06)	
Weight manual (Kg/lb)	0.52 (1.15)	0.62 (1.37)	0.88 (1.94)	1.78 (3.93)	1.72 (3.79)	
Rated coil voltage	100, 200, 110 to 120, 220VAC (50/60Hz), 12, 24VDC					
Allowable voltage fluctuation	-15% to +10% of rated voltage					
Coil insulation type	Equivalent to B type [266°F (130°C)]					
Current consumption	AC Inrush	5.6V (50Hz), 5.0VA (60Hz)				
	Energized	3.4VA (2.1W) 50Hz, 2.3VA (1.5W) 60Hz				
Current consumption DC	1.8W					
Electric entry	Type D DIN Terminal, M12 connector					
Optional specification	Indicator light/Surge voltage suppressor					

### Piston B Switching Pressure (Close to Open)



### Combination with a modular style FRL is possible.

