



Searches

[Part Information](#) | [Line Drawings](#)

Quick Search

Search

Global Part Search **NEW!**

Global Search

Company Information

About Tuchel

Amphenol Corporate

Our Commitment

Terms & Conditions

Environmental Information

Online Catalogs

Automotive Interconnect

Industrial Connectors ▶

Search by Family

Search by Part ●

Process Info Request

Download Catalog

Smart Card Connectors

Contact Information

Find a Sales Location

Distributors

Technical Support

Contact Us

Amphenol Corporation



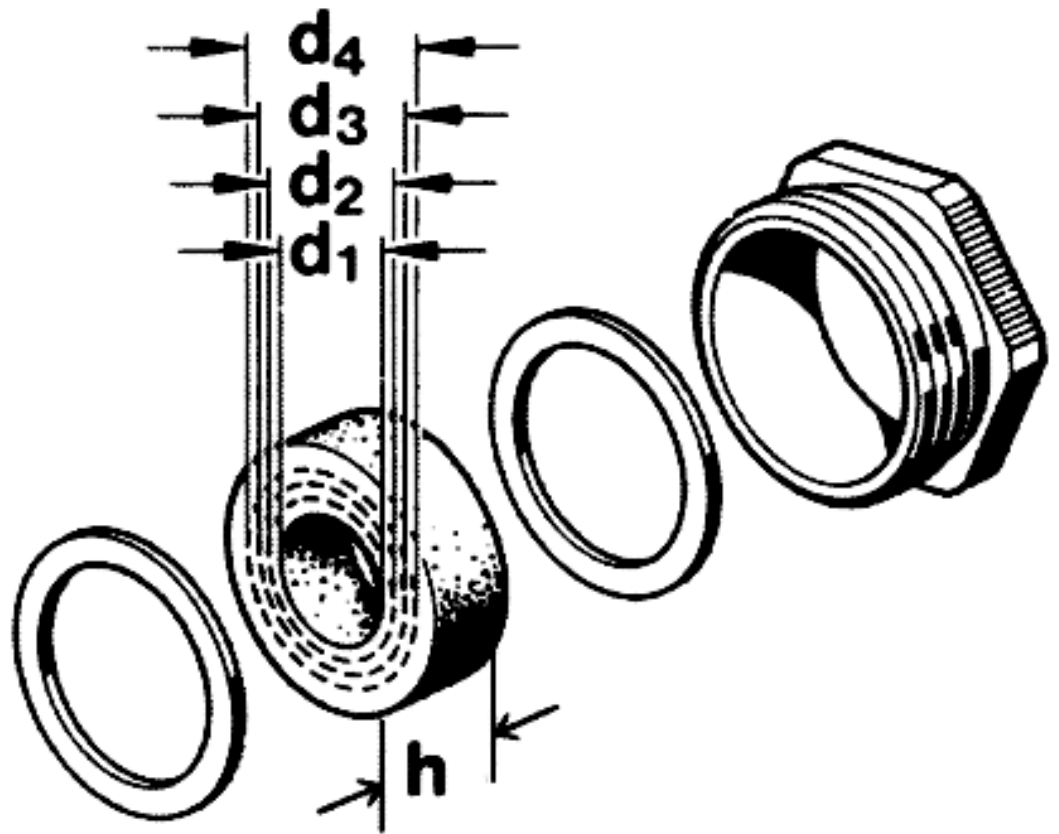
Part Information:

Part Number: VN16 110 0014



Description: Metal with variable inner diameter for PG gland bushings IP 65

Family: C146 Accessories



Cable Diameter:	PG11
Dimension 1 or A:	7
Dimension 2 or B:	10
Dimension 3 or C:	12.5
Height:	5

© Amphenol-Tuchel Electronics 2004/ [Legal Disclaimer](#)/ [Data Protection](#)/ [Imprint](#)