


# SPECIFICATION

Device Name : Power MOSFET

Type Name : 2SK3270-01

Spec. No. : \_\_\_\_\_

This material and the information herein is the property of Fuji Electric Co.,Ltd. They shall be neither reproduced, copied, lent, or disclosed in any way whatsoever for the use of any third party nor used for the manufacturing purposes without the express written consent of Fuji Electric Co.,Ltd.

	DATE	NAME	APPROVED	<b>Fuji Electric Co.,Ltd.</b>	
DRAWN	Jun. - 4 - '98			DWG.NO.	1 • ^13
CHECKED					

This material and the information herein is the property of Fuji Electric Co.,Ltd. They shall be neither reproduced, copied, lent, or disclosed in any way whatsoever for the use of any third party nor used for the manufacturing purposes without the express written consent of Fuji Electric Co.,Ltd.

- 1.Scope** This specifies Fuji Power MOSFET 2SK3270-01
- 2.Construction** N-Channel enhancement mode power MOSFET
- 3.Applications** for Switching
- 4.Outview** TO-220 Outview See to 5/13 page

**5.Absolute Maximum Ratings at Tc=25°C (unless otherwise specified)**

Description	Symbol	Characteristics	Unit	Remarks
Drain-Source Voltage	V <sub>DS</sub>	60	V	
	V <sub>DSX</sub>	30	V	V <sub>GS</sub> =-30V
Continuous Drain Current	I <sub>D</sub>	±80A	A	
Pulsed Drain Current	I <sub>DP</sub>	±320A	A	
Gate-Source Voltage	V <sub>GS</sub>	±30	V	
Maximum Avalanche Energy	E <sub>AV</sub>	613	mJ	*1
Maximum Power Dissipation	P <sub>D</sub>	135	W	
Operating and Storage	T <sub>ch</sub>	150	°C	
Temperature range	T <sub>stg</sub>	-55 to +150	°C	

\*1 L=0.13mH, Vcc=24V

**6.Electrical Characteristics at Tc=25°C (unless otherwise specified)**

**Static Ratings**

Description	Symbol	Conditions	min.	typ.	max.	Unit	
Drain-Source Breakdown Voltage	BV <sub>DSS</sub>	I <sub>D</sub> =1mA V <sub>GS</sub> =0V	60	-	-	V	
	BV <sub>DSX</sub>	I <sub>D</sub> =1mA V <sub>GS</sub> =-30V	30	-	-	V	
Gate Threshold Voltage	V <sub>GS(th)</sub>	I <sub>D</sub> =10mA V <sub>DS</sub> =V <sub>GS</sub>	2.5	3.0	3.5	V	
Zero Gate Voltage Drain Current	I <sub>bss</sub>	V <sub>DS</sub> =60V V <sub>GS</sub> =0V	T <sub>ch</sub> =25°C	-	1.0	100	μA
			T <sub>ch</sub> =125°C	-	10	500	μA
Gate-Source Leakage Current	I <sub>gss</sub>	V <sub>GS</sub> =±30V V <sub>DS</sub> =0V	-	10	100	nA	
Drain-Source On-State Resistance	R <sub>DS(on)</sub>	I <sub>D</sub> =40A V <sub>GS</sub> =10V	-	5.0	6.5	mΩ	

**Fuji Electric Co.,Ltd.**

DWG.NO.

2013



H04-004-06

This material and the information herein is the property of Fuji Electric Co.,Ltd. They shall be neither reproduced, copied, lent, or disclosed in any way whatsoever for the use of any third party nor used for the manufacturing purposes without the express written consent of Fuji Electric Co.,Ltd.

### Dynamic Ratings

Description	Symbol	Conditions	min.	typ.	max.	Unit
Forward Transconductance	$g_{fs}$	$I_D=40A$ $V_{DS}=10V$	25	50	-	S
Input Capacitance	$C_{iss}$	$V_{DS}=25V$	-	9000	-	pF
Output Capacitance	$C_{oss}$	$V_{GS}=0V$	-	1250	-	
Reverse Transfer Capacitance	$C_{rss}$	$f=1MHz$	-	700	-	
Turn-On Time	$t_d(on)$	$V_{cc}=30V$	-	50	-	ns
	$t_r$	$V_{GS}=10V$	-	200	-	
Turn-Off Time	$t_d(off)$	$I_D=80A$	-	150	-	
	$t_f$	$R_G=10\ \Omega$	-	135	-	

### Reverse Diode

Description	Symbol	Conditions	min.	typ.	max.	Unit
Avalanche Capability	$I_{AV}$	$L=100\ \mu H$ $T_{ch}=25^\circ C$ See Fig.1 and Fig.2	80	-	-	A
Diode Forward On-Voltage	$V_{SD}$	$I_F=80A$ $V_{GS}=0V$ $T_{ch}=25^\circ C$	-	1.0	1.5	V
Reverse Recovery Time	$t_{rr}$	$I_F=50A$ $V_{GS}=0V$	-	85	-	ns
Reverse Recovery Charge	$Q_{rr}$	$-di/dt=100A/\mu s$ $T_{ch}=25^\circ C$	-	0.25	-	$\mu C$

### 7.Thermal Resistance

Description	Symbol	min.	typ.	max.	Unit
Channel to Case	$R_{th}(ch-c)$	-	-	0.926	$^\circ C/W$
Channel to Ambient	$R_{th}(ch-a)$	-	-	75.0	$^\circ C/W$

**Fuji Electric Co.,Ltd.**

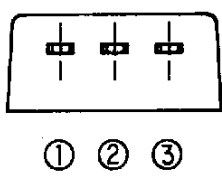
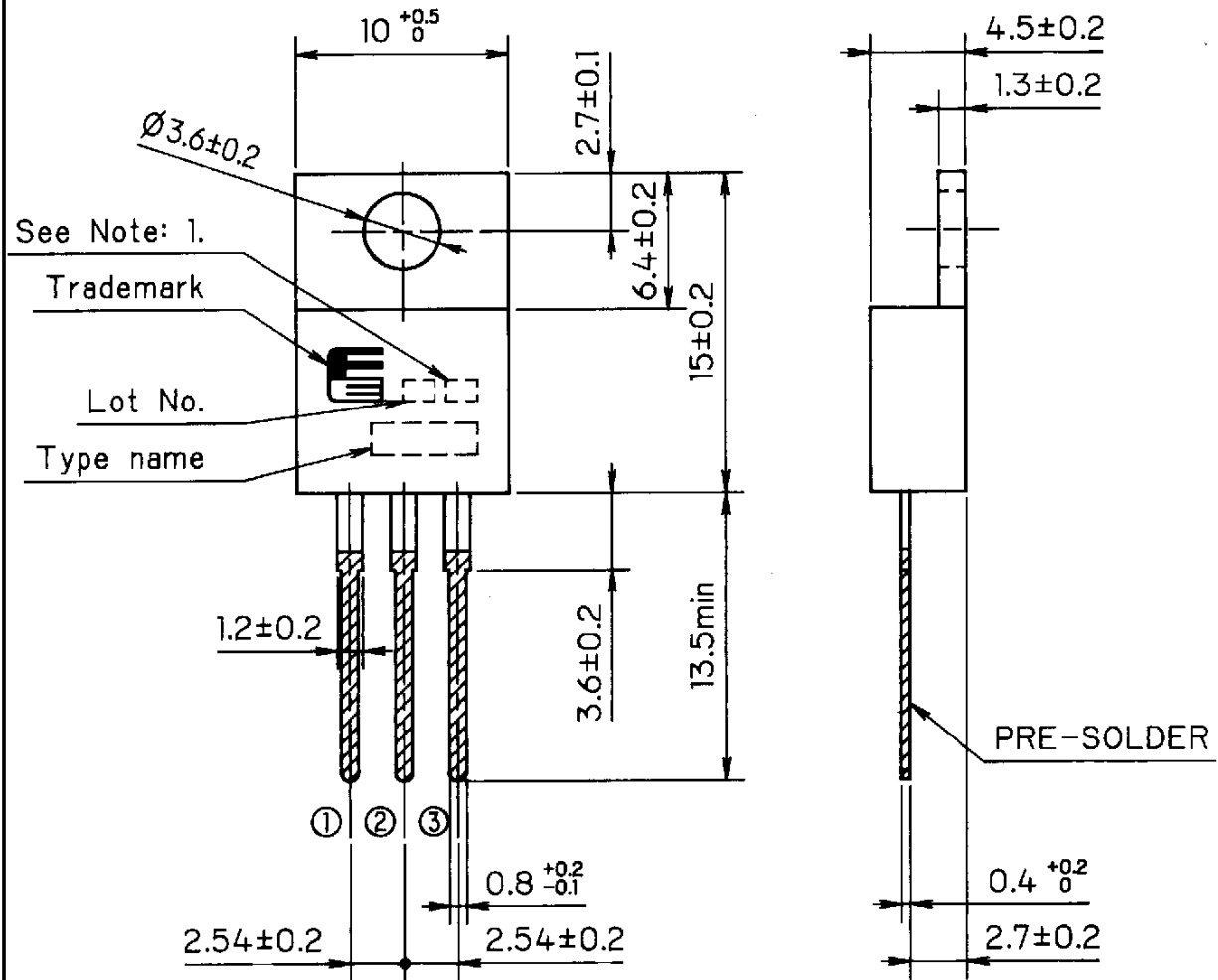
DWG.NO.

3•13



H04-004-03

This material and the information herein is the property of Fuji Electric Co., Ltd. They shall be neither reproduced, copied, lent, or disclosed in any way whatsoever for the use of any third party nor used for the manufacturing purposes without the express written consent of Fuji Electric Co., Ltd.



CONNECTION

- ① GATE
- ② DRAIN
- ③ SOURCE

JEDEC : TO-220AB

Note: 1. Guaranteed mark of avalanche ruggedness.

DIMENSIONS ARE IN MILLIMETERS.

**Fuji Electric Co., Ltd.**

DWG. NO.

5013

