



Products

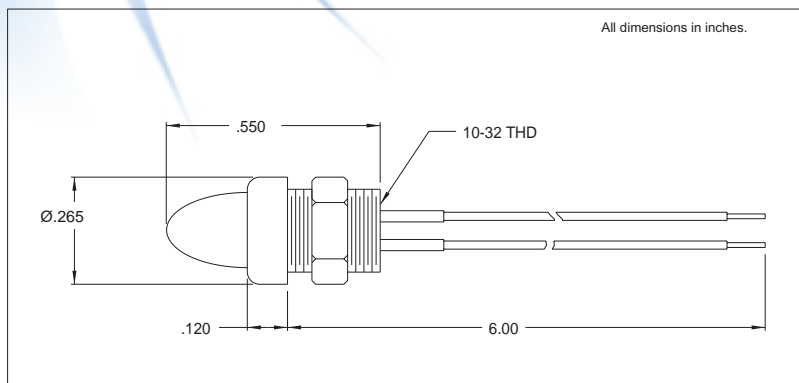
LED Indicators

CML IT offers panel mount indicators manufactured with LED, Neon or Incandescent light sources. These indicators are available in a number of different lens and termination styles, with voltages of 2V ~ 250V available off-the-shelf.

	<p>Part Number: 6039-004-304R Serial Number: 6039 Mounting hole (inch): All Mounting hole (metric): All Indicator type: All Mounting type: Bezel type: All Bezel material: Bezel color: All Bezel size: Protection: Lens type: All Lens color: Red Diffused Lens size: Connector tpe: 28 AWG Stranded Connector number: Connector for lamp test: Number LED chip: Indicator color: H.E. Red Dom wave length: Peak wave length (mA): 630.0 Op. voltage (V): All Forward volt max: 2.0 Rectifier: AC current: DC current: 10.0 Lum in min (mcd): 0.4 Lum in type (DC): 1.5 Voltage type (%): Op. temperature (°C): Storage temperature (°C): Narrative: Viewing angle (°): 50 RoHS Status: No</p>
--	--

Astrolite LED Indicator Lights

DESCRIPTION AND FEATURES



The Chicago Miniature Lamp Astrolite indicator lights provide versatile solid state indication in an aesthetically pleasing economical, compact, panel mountable package. Luminous intensities as high as 300 mcd are available. As special order, these indicator lights can be provided with a voltage dropping resistor built into the lead for operation at higher voltages.

SPECIFICATIONS

Mounting Hole:	Ø.193 "D" hole
Mounting Centers:	.334
Maximum Panel Thickness:	.188
Bezel/Shank Material:	Chrome Plated Brass
Hex Nut:	Nickel Plated Brass
Wire Leads:	26 AWG Stranded, 105°C PVC Insulation, black to Anode, white to Cathode

ELECTRO-OPTICAL CHARACTERISTICS

Part Number	Emitted Color	Lens Color	Lens Type	Luminous Intensity		Forward Voltage		Viewing Angle (degrees)	Peak Wavelength (nm)	V _R	Max. I _F
				Min. (mcd)	Typ. (mcd)	Typ.	Max.				
6039-004-304R	H.E. Red	Red	Light Diff.	0.4	1.5	1.6	2.0	50	630	5.0	35 mA
6039-004-304G	H.E. Grn.	Green	Light Diff.	2.0	12.0	2.2	3.0	50	565	5.0	35 mA
6039-004-304Y	Yellow	Yellow	Light Diff.	1.5	8.0	2.1	3.0	50	585	5.0	35 mA
6039-004-304S	H.E. Red	Red	Diffused	12.5	30.0	2.0	2.5	60	625	5.0	30 mA
6039-004-304H	H.E.Gr.	Green	Diffused	5.0	15.0	2.2	2.5	60	565	5.0	25 mA
6039-004-304Z	Yellow	Yellow	Diffused	5.0	15.0	2.1	2.5	60	590	5.0	30 mA
6039-004-304UR	Ultra Red	Red	Diffused	100.0	300.0	1.85	2.5	60	660	5.0	30 mA