

### BeCu PLUNGER TIPS

	<b>A</b>
	<b>B</b>
	<b>D</b>
	<b>F</b>
	<b>G</b>
	<b>H</b>
	<b>HK</b>
	<b>HL</b>
	<b>J</b>
	<b>JS</b>
	<b>K</b>
	<b>LM</b>
	<b>S</b>
	<b>T</b>
	<b>TX</b>
	<b>V</b>
	<b>V8</b>
	<b>W</b>

### PROBE SPECIFICATIONS

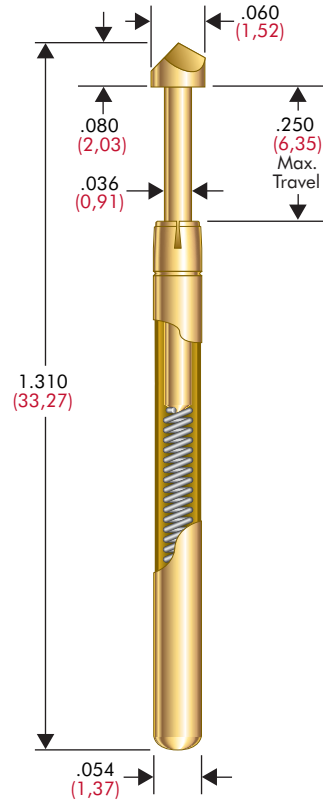
Minimum Centers: .100 (2,54)  
 Current Rating: 3 amps continuous  
 Spring Force: 5.5, 6.7, 8.0, 10.0 or 17.0 oz. @.170 (4,32) travel  
 Typical Resistance: <8 mΩ  
 Working Travel: .170 (4,32)

Rated Force oz (gms)	Preload oz (gms)	Material
5.5 (156)	2.4 (68)	MW
6.7 (190)	2.8 (80)	SS
8.0 (227)	3.3 (94)	MW
10.0 (283)	3.7 (105)	MW
17.0 (483)	6.8 (193)	MW

### MATERIALS

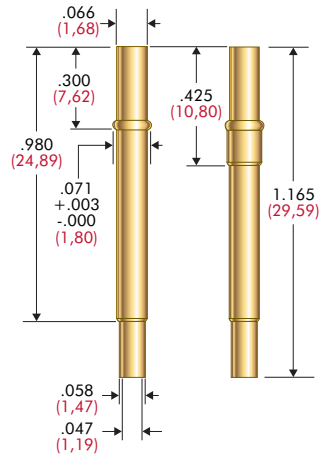
Barrel: G2  
 Spring: Music wire, nickel plated or stainless steel  
 Plunger: Full-hard beryllium copper or steel, gold plated over nickel  
 Receptacle:  
 High Performance Series (R or RX): Nickel/silver, gold plated; gold plated post  
 Standard Series (RS or RSX): Nickel/silver; gold plated post

### ICT-100 PROBE



### R-100 Receptacle

R Series RX Series



Drill Size: #50  
 Mounting Hole Size: .068/.070 (1,73/1,78)  
 Recommended Wire: 22-26 gage

### RECEPTACLE OPTIONS

Part Number	Style	Receptacle Length	Probe/Receptacle Combined Length	Comments
R-100-CR	Crimp	1.165 (29,59)	1.495 (37,97)	—
R-100-SC	Solder Cup	1.165 (29,59)	1.495 (37,97)	—
R-100-RP	Round Post	1.540 (39,12)	1.870 (47,50)	.375 post length - .025 dia.
R-100-WW-429	Wire Wrap	1.594 (40,49)	1.924 (48,87)	.429 post length - .025 sq.
R-100-WW-694	Wire Wrap	1.859 (47,22)	2.189 (55,60)	.694 post length - .025 sq.
R-100-WW-1.044	Wire Wrap	2.209 (56,11)	2.539 (64,49)	1.044 post length - .025 sq.

### STEEL PLUNGER TIPS

	<b>B</b>
	<b>M</b>
	<b>NT</b>
	<b>R</b>

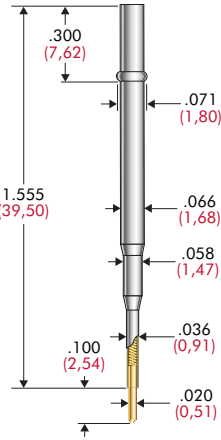
### STEEL PLUNGER TIPS

	<b>S</b>
	<b>SP</b>
	<b>SPB</b>
	<b>SW</b>

### STEEL PLUNGER TIPS

	<b>SWS</b>
	<b>U</b>
	<b>UR</b>
	<b>VLT</b>

**R-100-J-DE  
Wireless Receptacle**



Drill Size: #50  
Mounting Hole Size:  
.068/.070 (1,73/1,78)

For more information,  
see page 25.

**PROBE SPECIFICATIONS**

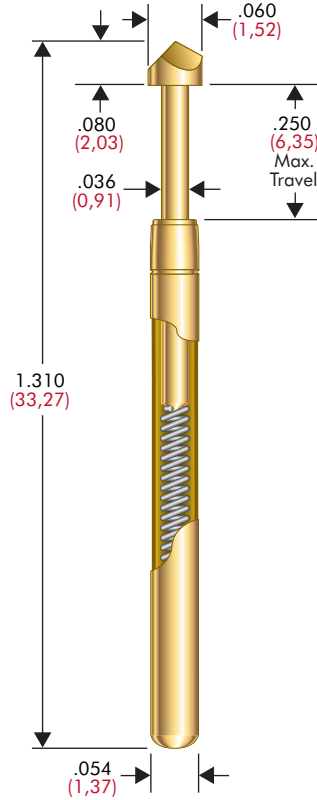
Minimum Centers: .100 (2,54)  
Current Rating: 3 amps  
continuous  
Spring Force: 3.5, 5.5, 6.7,  
8.0, 10.0 or 17.0 oz.  
@.170 (4,32) travel  
Typical Resistance: <25 mΩ  
Working Travel: .170 (4,32)

Rated Force oz (gms)	Preload oz (gms)	Material
3.5 (99)	1.5 (43)	BeCu
5.5 (156)	2.4 (68)	MW
6.7 (190)	2.8 (80)	SS
8.0 (227)	3.3 (94)	MW
10.0 (283)	3.7 (105)	MW
17.0 (483)	6.8 (193)	MW

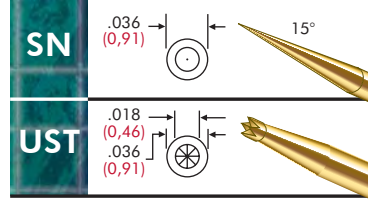
**MATERIALS**

Barrel: G2  
Spring: Music wire, nickel  
plated, stainless steel or  
beryllium copper, precious  
metal plated  
Plunger: Full-hard beryllium  
copper or steel, gold plated  
over nickel  
Receptacle:  
High Performance Series  
(R or RX): Nickel /silver, gold  
plated; gold plated post  
Standard Series (RS or RSX):  
Nickel /silver, gold plated  
post

**S-100 PROBE**

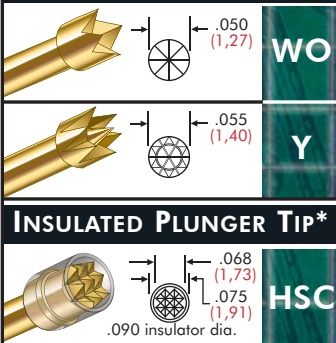


**STEEL PLUNGER TIPS**



**NOTE:** The above  
plunger tips are only  
available in the S-100  
series. All plunger tips  
offered in the ICT-100  
series are also available  
in the S-100 series.

**STEEL PLUNGER TIPS**



\* Available in beryllium copper only

**HOW TO ORDER: SPRING CONTACT PROBE**

ICT	100	T	5.5	G	S
SERIES	SIZE	TIP STYLE	SPRING FORCE	PLATING OPTION	STEEL PLUNGER OPTION

**SERIES:**  
ICT: High Performance  
S: Standard Performance  
(No Bifurcated Beam)  
**CRIMPING PLIERS:** CPR100  
**INSERTION TOOL:** RTR100

**SPRING FORCE:**  
3.5 oz. @ .170 (4,32) travel\*  
5.5 oz. @ .170 (4,32) travel  
6.7 oz. @ .170 (4,32) travel  
8.0 oz. @ .170 (4,32) travel  
10.0 oz. @ .170 (4,32) travel  
17.0 oz. @ .170 (4,32) travel

\*S-100 Series only

**RECEPTACLE**

R	100	WW	429
SERIES	SIZE	TERMINATION	POST LENGTH

**SERIES:**  
R: High Performance  
RX: Improved Pointing  
Accuracy, High  
Performance  
RS: Standard  
Performance  
RSX: Improved Pointing  
Accuracy, Standard  
Performance

**TERMINATION:**  
CR: Crimp  
SC: Solder Cup  
RP: Round Post  
WW: Wire Wrap

**POST LENGTH:**  
WW: 429,  
694 or  
1.044

View updates of this information at [www.idinet.com](http://www.idinet.com)

Specifications subject to change without notice. Dimensions in inches (millimeters)