

Mini Incandescents

T-2 Bulb

Line No.	Part Number	Base Type	Design Volts	Design Amps	End Foot Candela	Filament Type	Rated Life	Fig No.	Foot Notes
1	60PSB		Slide Base #5	60	0.05		C-7A	7,500	51

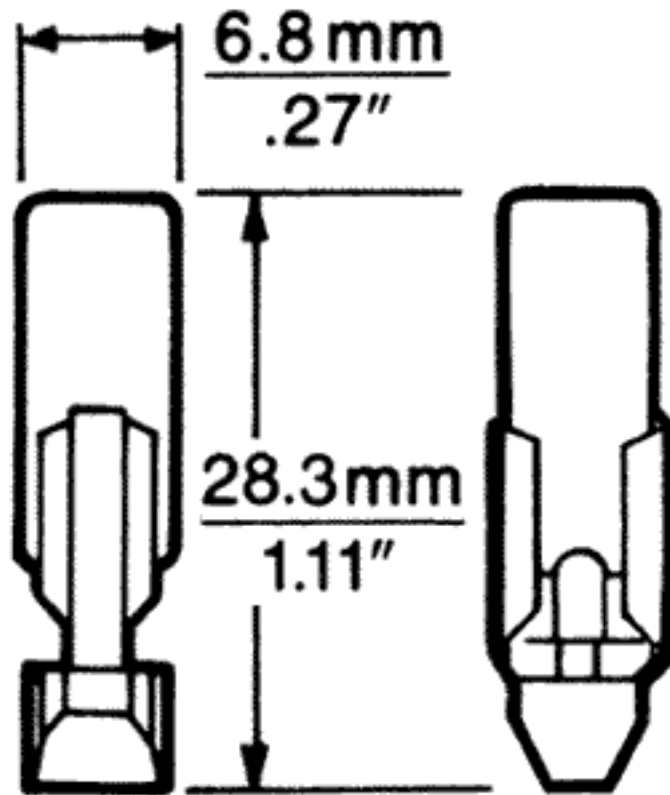


Fig. 51