



**NAVIGATE THE CATALOG BY SECTION**

- 1
- 2
- 3
- 4
- 5
- 6
- 7
- 8
- 9
- 10
- 11
- 12
- 13
- 14
- 15
- 16
- 17
- 18
- 19



**LAPP ONLINE CATALOG**

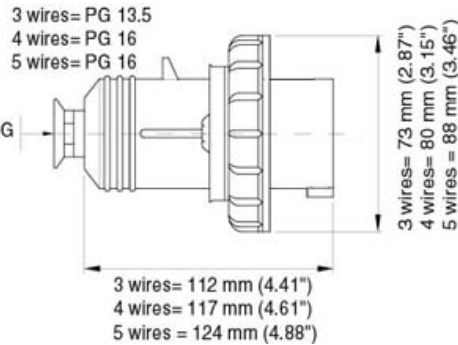
**EPIC® Pin & Sleeve Connectors**

**20 Amp: North American Version**

CEE Straight Male Plugs with Cable Gland



IP 67



**TECHNICAL DATA**

- Impact Resistance:** 8J
- Ambient Temperature:** -25°C to 70°C
- Flame Resistance:**
  - **Glow Wire Test: Enclosure:** 850°C
  - **Glow Wire Test: Contact Enclosure:** 850°C

- ▶ **Self-Extinguishing: Enclosure:** UL94-V2
- ▶ **Self-Extinguishing: Contact Carrier:** UL94-V2

## PART NUMBERS

Part Number	Voltage	# of Wires	# of Poles	Ground-Clock Position
477203FX	125	3	1+N+PE	4
477303FX	250	3	2+PE	6
477273FX	480	3	2+PE	7
477673FX	250 DC	3	2+PE	3
477833FX	125/250	4	2+N+PE	12
477313FX	3Ø250	4	3+PE	9
477513FX	3Ø480	4	3+PE	7
NA	3Ø600	4	3+PE	5
477323FX	3ØY 120/208	5	3+N+PE	9
477523FX	3ØY 277/480	5	3+N+PE	7
NA	3ØY 347/600	5	3+N+PE	5
477293FX	50-250 (500 Hz)	5	3+N+PE	2

## MATING COMPONENTS

- ▶ [CEE Straight Female Connector with Cable Gland, IP 67](#)
- ▶ [CEE Angled Female Panel Mount Receptacle, 67](#)
- ▶ [ULYSSE Switched Socket Outlet with Fuse Holder, 66/67](#)
- ▶ [ALUPRES Switched Socket Outlet: Direct Connect, IP 65](#)



**DOWNLOAD PDF CATALOG PAGE**

**LAPP USA • LAPP CANADA • LAPP MEXICO**  
 Headquarters: 29 Hanover Road, Florham Park, NJ 07932  
 800-774-3539 • FAX: 973-660-9330 • [sales@lappusa.com](mailto:sales@lappusa.com)