



## 40MM & 50MM SEVERE SERVICE GAUGE

- Copper Alloy Internals
- Glycerine Filled
- Center Back Mount Only

Marsh Instruments Liquid-Filled Gauges are designed to perform in rugged and harsh environmental conditions - especially where pulsation and vibration is a problem. Liquid Filled Gauges offer a significant cushioning and dampening effect, reducing pointer flutter and internal gauge damage. Liquid Filled Gauges feature a ventable top fill plug and can be mounted on a horizontal or vertical plane. The hermetically sealed construction reduces the chance of leaks and makes field filling an easy option.

Typical applications include refineries, chemical, oil & gas, marine and OEM processes.

### SPECIFICATIONS

#### ACCURACY

±2.5% of range across full scale

#### CASE SIZES

40 or 50 mm diameter

#### CASE MATERIAL

304 Stainless Steel

#### CASE STYLE

CB – Center Back mount

#### TUBE & SOCKET

Copper Alloy tube with nickel plated brass socket

#### MOVEMENT

Brass

#### CONNECTION

½" NPT & ¼" NPT

#### RANGES

15 to 160 psi

#### DIAL STANDARD

Triple scale psi/BAR/kPa

#### DIAL COLOR

Black markings on white

#### POINTER

Aluminum, black painted

#### WINDOW

Acrylic

#### FILL MEDIUM

Glycerine Standard

#### RESTRICTOR

Standard, all ranges

#### VENT PLUG

Filler/pressure relief plug

#### TEMPERATURE LIMITS

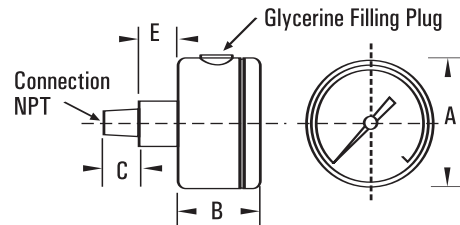
0 – 140° F (filled)

### STANDARD RANGES & PART NUMBERS

TYPE	40MM & 50MM GAUGES	
	40mm	50mm
Size	40mm	50mm
Case Material	304 Stainless Steel	304 Stainless Steel
Internals	Copper Alloy	Copper Alloy
Mounting / Case Style	CB	CB
Connection	½" NPT	½" NPT
Scale Standard	psi/BAR/kPa	psi/BAR/kPa
0 to 15 psi	M4040P	M5040P
0 to 30 psi	M4042P	M5042P
0 to 60 psi	M4046P	M5046P
0 to 100 psi	M4048P	M5048P
0 to 160 psi	M4052P	M5052P

### 40MM AND 50MM GAUGE OPTIONS

OPTION	TYPE	SUFFIX	AVAILABLE ON MODELS
Custom Dials	Custom face	M	See Marsh Price List for minimums
Other Ranges			Consult factory for availability
Fill Medium	Silicone (SL)	I	Consult factory



A-Size	B	C	E
40mm Dia	27.00mm 1.06"	11.5mm 0.45"	13.00mm 0.51"
50mm Dia	30.00mm 1.18"	11.5mm 0.45"	10.00mm 0.39"





## 63MM SEVERE SERVICE GAUGE

- 3 Standard Mounting Options: LM, CB and U-Clamp
- Glycerine Filled
- Ranges to 10,000 psi

Marsh Instruments Liquid-Filled Gauges are designed to perform in rugged applications and harsh environmental conditions - especially where pulsation and vibration are a problem. Liquid Filled Gauges offer a significant cushioning and dampening effect, reducing pointer flutter and internal gauge damage; also lubricating the internals, and reducing corrosion.

All stainless steel Liquid Filled Gauges feature a ventable top fill plug for pressure relief and ease of venting after installation. Pressure ranges are available through 10,000 psi, with high pressure ranges offering a Helical Bourdon Tube for longer gauge life and increased durability. The hermetically sealed construction reduces the chance of leaks, and makes field filling an easy option.

Typical applications include refineries, chemical plants, offshore platforms, oil rigs, marine applications, general industrial application and OEM processes.

### STANDARD RANGES & PART NUMBERS

TYPE	63MM SEVERE SERVICE GAUGES					
Size	63mm			63mm		
Case Material	304 Stainless Steel			304 Stainless Steel		
Internals	Copper Alloy			Stainless Steel		
Mounting / Case Style	LM	UC	CB	LM	UC	CB
Connection	¼" NPT	¼" NPT	¼" NPT	¼" NPT	¼" NPT	¼" NPT
Scale Standard	psi/kPa			psi/kPa		
0 to 30" Hg VAC	J7605P	J7205P	J6405P	J7805P	J7405P	J6605P
30" Hg VAC to 15 psi						
30" Hg VAC to 30 psi	J7612P					
30" Hg VAC to 60 psi	J7614P					
30" Hg VAC to 100 psi						
30" Hg VAC to 150 psi	J7618P	J7218P	J6418P	J7818P	J7418P	J6618P
30" Hg VAC to 200 psi	J7620P	J7220P	J6420P	J7820P	J7420P	J6620P
30" Hg VAC to 300 psi	J7624P	J7224P	J6424P	J7824P	J7424P	J6624P
30" Hg VAC to 400 psi	J7626P	J7226P	J6426P	J7826P	J7426P	J6626P
0 to 15 psi	J7640P	J7240P	J6440P	J7840P	J7440P	J6640P
0 to 30 psi	J7642P	J7242P	J6442P	J7842P	J7442P	J6642P
0 to 60 psi	J7646P	J7246P	J6446P	J7846P	J7446P	J6646P
0 to 100 psi	J7648P	J7248P	J6448P	J7848P	J7448P	J6648P
0 to 160 psi	J7652P	J7252P	J6452P	J7852P	J7452P	J6652P
0 to 200 psi	J7654P	J7254P	J6454P	J7854P	J7454P	J6654P
0 to 300 psi	J7658P	J7258P	J6458P	J7858P	J7458P	J6658P
0 to 400 psi	J7660P	J7260P	J6460P	J7860P	J7460P	J6660P
0 to 600 psi	J7664P	J7264P	J6464P	J7864P	J7464P	J6664P
0 to 1,000 psi	J7672P	J7272P	J6472P	J7872P	J7472P	J6672P
0 to 1,500 psi	J7674P	J7274P	J6474P	J7874P	J7474P	J6674P
0 to 2,000 psi	J7676P	J7276P	J6476P	J7876P	J7476P	J6676P
0 to 3,000 psi	J7678P	J7278P	J6478P	J7878P	J7478P	J6678P
0 to 5,000 psi	J7682P	J7282P	J6482P	J7882P	J7482P	J6682P
0 to 6,000 psi	J7684P	J7284P	J6484P	J7884P	J7484P	J6684P
0 to 10,000 psi				J7890P	J7490P	J6690P

NOTE:  Items are available on special order. However, minimums and lead times apply. Consult factory.

### SPECIFICATIONS

#### ACCURACY

ASME Grade B -  $\pm 3/2/3\%$  ( $\pm 2\%$  of range across middle half of scale)

#### CASE SIZES

63mm (2.47") diameter

#### CASE MATERIAL

304 Stainless Steel

#### CASE STYLE

Rolled ring, hermetically sealed case

CB - Center Back Mount

LM - Lower Mount

UC - U-Clamp Mount

#### TUBE & SOCKET

Copper alloy or 316 stainless steel

#### MOVEMENT

Brass

#### CONNECTION

¼" NPT

#### RANGES

0 to 30" Hg VAC; Compound 30" Hg to 400 psi; 15 to 10,000 psi

#### DIAL STANDARD

Dual scale psi and kPa

#### DIAL COLOR

Black markings on white

#### POINTER

Aluminum, black painted

#### WINDOW

Polycarbonate

#### FILL MEDIUM

Glycerine Standard

#### RESTRICTOR

Standard for all ranges

#### VENT PLUG

Rubber plug with snip-off feature

# Severe Service



front flange mount

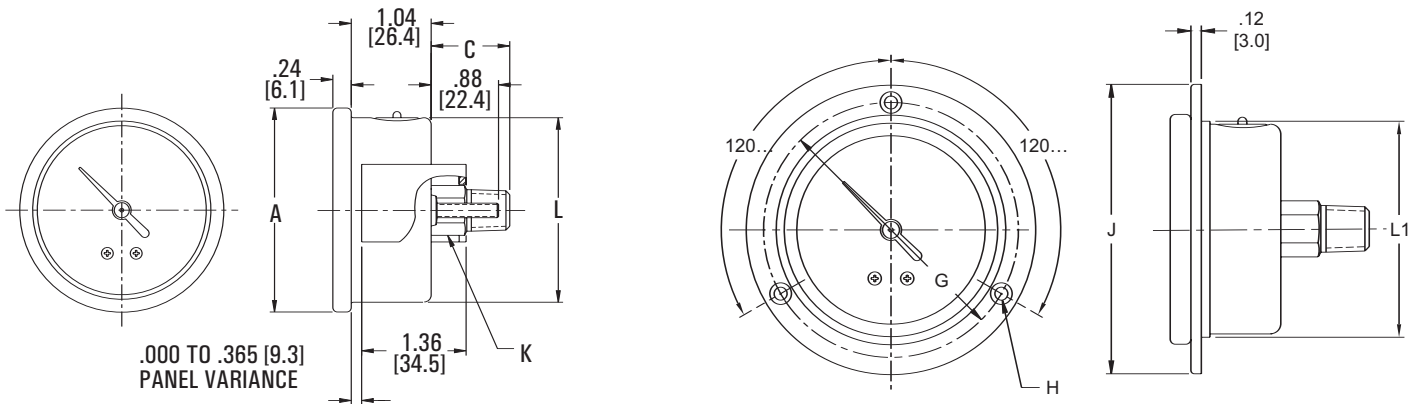


## 63MM SEVERE SERVICE GAUGE OPTIONS

OPTION	TYPE	SUFFIX	AVAILABLE ON MODELS
Fill Medium	Dry (no fill)	Delete suffix P	All models
	Silicone (SL)	I	All models
Front Flange	Adapter ring (3 hole)	R1	Center Back & U-Clamp only (factory Installed)
	Adapter ring (no holes)	R2	U-Clamp only (factory Installed)
Bayonet Case & Ring w/Safety Glass		J	Center Back or Lower Mount (consult factory)
Catalog Dials	psi only	E	See Marsh Price List for minimum
	bar only	L1	
	kg/cm <sup>2</sup> only	L2	
	kPa only	L3	
	MPa only	L4	
	psi & bar	W1	
	psi & kg/cm <sup>2</sup>	W2	
psi & MPa	W4		
Custom Dials	Logo or Custom face	M	Consult factory for colors and minimums
Restrictor	Special restrictor	H	All models - See Marsh Price List for minimum
	Restrictor removed	H1	
Increased Accuracy	Grade A (2/1/2%)	B	All models - See Marsh Price List for minimum
Special Connections			Consult Factory

Dimension Table

Gauge Size	Connection	A	C	G	H	K	J	L	L1
63mm	1/4"	2.66"	1.03"	2.95"	0.15"	0.56"	3.35	2.43"	2.5"
		68mm	26mm	75mm	4mm	14mm	85mm	62mm	64mm





## 100MM SEVERE SERVICE GAUGE

- Brass or Stainless Steel Internals
- Ranges to 10,000 psi
- Glycerine Filled

Marsh Instruments Liquid Filled Gauges are designed to perform in rugged applications and harsh environmental conditions - especially where pulsation and vibration are a problem. Liquid Filled Gauges offer a significant cushioning and dampening effect, reducing pointer flutter and internal gauge damage; also lubricating the internals, and reducing corrosion. All stainless steel Liquid Filled Gauges feature a ventable top fill plug for pressure relief and ease of venting after installation. The hermetically sealed construction reduces the chance of leaks, and makes field filling an easy option.

Typical applications include refineries, chemical plants, offshore platforms, oil rigs, marine applications, general industrial application and OEM processes.

### STANDARD RANGES & PART NUMBERS

TYPE	100MM SEVERE SERVICE GAUGES					
	100mm			100mm		
Size	100mm			100mm		
Case Material	Stainless Steel			Stainless Steel		
Internals	Copper Alloy			Stainless Steel		
Mounting / Case Style	LM	CB	UC	LM	CB	UC
Connections (NPT)	¼" NPT	¼" NPT	¼" NPT	¼" NPT	¼" NPT	¼" NPT
Scale Standard	psi/kPa			psi/kPa		
0 to 30" Hg VAC	X32965P			X32967P		
30" Hg VAC to 30 psi	X32501P					
30" Hg VAC to 60 psi	X32502P					
30" Hg VAC to 100 psi						
30" Hg VAC to 150 psi	X32887P	X32901P	X32894P	X32929P	X32941P	X32935P
30" Hg VAC to 200 psi	X32888P	X32902P	X32895P	X32930P	X32942P	X32936P
30" Hg VAC to 300 psi	X32889P	X32903P	X32896P	X32931P	X32943P	X32937P
0 to 15 psi	X32504P	X32546P	X32525P	X32630P	X32678P	X32654P
0 to 30 psi	X32505P	X32547P	X32526P	X32631P	X32679P	X32655P
0 to 60 psi	X32506P	X32548P	X32527P	X32632P	X32680P	X32656P
0 to 100 psi	X32507P	X32549P	X32528P	X32633P	X32681P	X32657P
0 to 160 psi	X32508P	X32550P	X32529P	X32634P	X32682P	X32658P
0 to 200 psi	X32509P	X32551P	X32530P	X32635P	X32683P	X32659P
0 to 300 psi	X32510P	X32552P	X32531P	X32636P	X32684P	X32660P
0 to 400 psi	X32511P	X32553P	X32532P	X32637P	X32685P	X32661P
0 to 600 psi	X32512P	X32554P	X32533P	X32638P	X32686P	X32662P
0 to 1,000 psi	X32513P	X32555P	X32534P	X32639P	X32687P	X32663P
0 to 1,500 psi	X32514P	X32556P	X32535P			
0 to 2,000 psi	X32515P	X32557P	X32536P	X32641P	X32689P	X32665P
0 to 3,000 psi	X32516P	X32558P	X32537P	X32642P	X32690P	X32666P
0 to 5,000 psi	X32518P	X32560P	X32539P	X32644P	X32692P	X32668P
0 to 6,000 psi	X32519P	X32561P	X32540P	X32645P	X32693P	X32669P
0 to 10,000 psi				X32647P	X32695P	X32671P

NOTE:   Items are available on special order. However, minimums and lead times apply. Consult factory.

### SPECIFICATIONS

**ACCURACY**  
ASME Grade A - ±2/1/2% (±1% of range across middle half of scale)

**CASE SIZES**  
100mm (3.89") diameter

**CASE MATERIAL**  
304 Stainless Steel

**CASE STYLE**  
Rolled ring, hermetically sealed case  
CB - Center Back Mount  
LM - Lower Mount  
UC - U-Clamp Mount

**TUBE & SOCKET**  
Copper alloy or 316 stainless steel

**MOVEMENT**  
Brass

**CONNECTION**  
¼" NPT

**RANGES**  
0 to 30" Hg VAC  
Compound 30" Hg VAC to 300 psi  
15 to 10,000 psi

**DIAL STANDARD**  
Dual scale psi & kPa

**DIAL COLOR**  
Black markings on white

**POINTER**  
Aluminum, black painted

**WINDOW**  
Polycarbonate

**FILL MEDIUM**  
Glycerine Standard

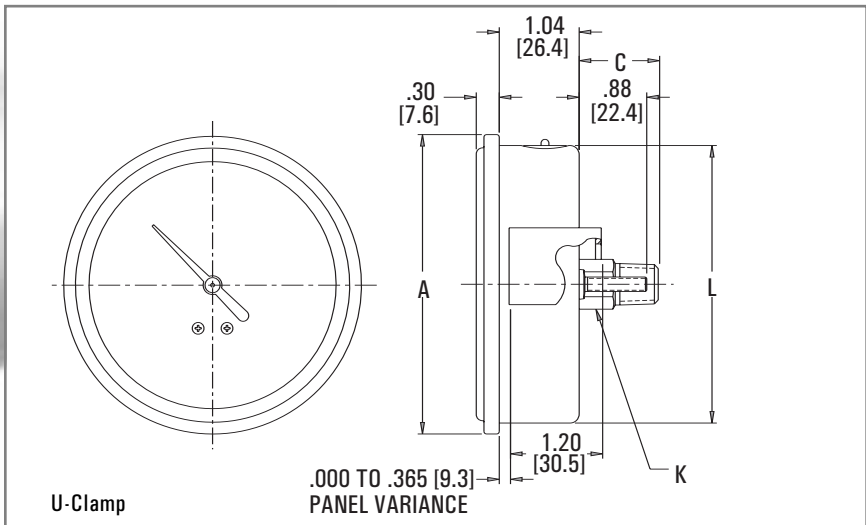
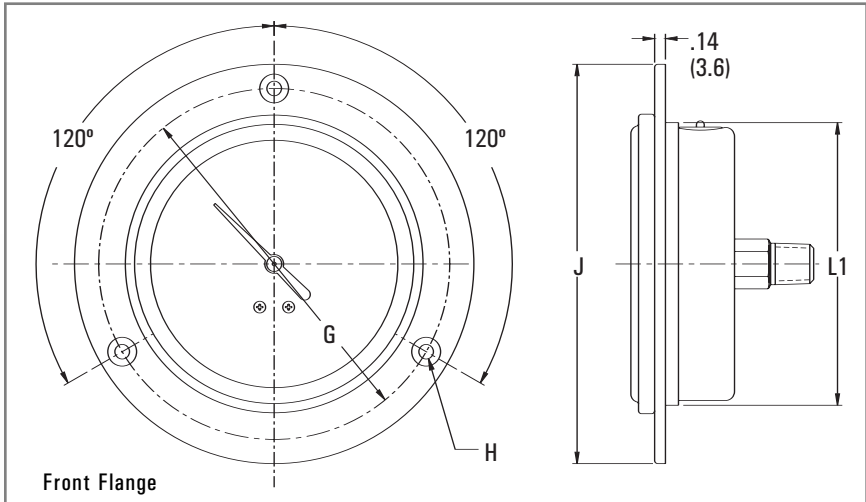
**RESTRICTOR**  
Standard for all ranges

**VENT PLUG**  
Rubber plug with snip-off feature

# Severe Service



100MM SEVERE SERVICE GAUGE OPTIONS			
OPTION	TYPE	SUFFIX	AVAILABLE ON MODELS
Fill Medium	Dry (no fill)	Delete suffix P	All models
	Silicone (SL)	I	All models
Front Flange	Adapter Ring (3 hole)	R	U-Clamp & Center Back only (factory installed)
Catalog Dials	psi only	E	See Marsh Price List for minimum
	bar only	L1	
	kg/cm <sup>2</sup>	L2	
	kPa only	L3	
	MPa	L4	
	psi & bar	W1	
	psi & kg/cm <sup>2</sup>	W2	
psi & MPa	W4		
Custom Dials	Logo or custom face	M	Consult factory for colors and minimums.
Restrictor	Special restrictor	H	All models - See Marsh Price List for minimum
	Restrictor removed	H1	All models - See Marsh Price List for minimum
Increased Accuracy	Grade 1A ±1% full scale	B	All models - See Marsh Price List for minimum
Special Connections			Consult factory for Availability



Gauge Size	Conn- ection	A	C	G	H	K	J	L	L1
100mm	¼"	3.90" 99mm	1.03" 26mm	4.57" 116mm	0.19" 5mm	9/16" 14mm	5.20" 132mm	3.62" 92mm	3.68" 94mm





## 63MM & 100MM BRASS GAUGE

- Forged Brass case (one piece construction)
- Ranges to 10,000PSI
- Heavy Duty Performance

Marsh forged brass gauges are designed for top performance in rugged applications and harsh environments, where corrosive gas or media is not an issue. Applications include Oil patch, Hydraulics, Natural gas, OEM and General Industrial applications where superior quality is required. Liquid Filling protects against pulsation and vibration offering a cushioning and dampening effect. The hermetically sealed one piece design reduces the chance of leaks and allows field filling as an easy option.

### STANDARD RANGES & PART NUMBERS

TYPE	63MM BRASS	100MM BRASS
Size	63mm	100mm
Case Material	Forged Brass	Forged Brass
Internals	Copper Alloy	Copper Alloy
Mounting / Case Style	LM	LM
Connection	¼" NPT	½" NPT
Scale Standard	psi	psi
0 to 30" Hg VAC	W9005PE	W9405PE
30" Hg VAC to 30 psi	W9012PE	W9412PE
30" Hg VAC to 60 psi	W9014PE	W9414PE
30" Hg VAC to 100 psi	W9016PE	W9416PE
30" Hg VAC to 200 psi	W9020PE	W9420PE
0 to 15 psi	W9040PE	W9440PE
0 to 30 psi	W9042PE	W9442PE
0 to 60 psi	W9046PE	W9446PE
0 to 100 psi	W9048PE	W9448PE
0 to 160 psi	W9052PE	W9452PE
0 to 200 psi	W9054PE	W9454PE
0 to 300 psi	W9058PE	W9458PE
0 to 400 psi	W9060PE	W9460PE
0 to 600 psi	W9064PE	W9464PE
0 to 1,000 psi	W9072PE	W9472PE
0 to 1,500 psi	W9074PE	W9474PE
0 to 2,000 psi	W9076PE	W9476PE
0 to 3,000 psi	W9078PE	W9478PE
0 to 5,000 psi	W9082PE	W9482PE
0 to 10,000 psi	W9090PE	W9490PE

### SPECIFICATIONS

#### ACCURACY

63mm: ±1.6% of range across full scale  
100mm: ASME Grade 1A - ±1% of range across full scale

#### CASE SIZES

63mm: diameter (2.5")  
100mm: diameter (4.0")

#### CASE MATERIAL

Forged Brass

#### CASE STYLES

LM – Lower Mount

#### TUBE & SOCKET

Copper alloy

#### MOVEMENT

Brass

#### CONNECTION

63mm: ¼" NPT  
100mm: ½" NPT

#### RANGES

0-30" Hg vacuum;  
compound ranges 30" Hg vacuum to 200 psi; and 15-10,000 psi

#### DIAL STANDARD

Single Scale psi

#### DIAL COLOR

Black markings on white

#### POINTER

Aluminum, black painted

#### WINDOW

Acrylic

#### RING

63mm: Gold Plated ABS  
100mm: Chrome Plated

#### FILL MEDIUM

Glycerine Standard

#### VENT

Rubber plug with snip-off feature

### 63MM & 100MM BRASS GAUGE OPTIONS

OPTION	TYPE	SUFFIX	AVAILABLE ON MODELS
Fill Medium	Dry (no fill)	Delete Suffix P	Consult factory for minimums
	Glycerine	Standard	
	Silicone (SL)	I	
Catalog Dials	Bar only	L1	
	kg/cm <sup>2</sup> only	L2	
	kPa only	L3	
	MPa only	L4	
	psi & BAR	W1	
	psi & kg/cm <sup>2</sup>	W2	
	psi & kPa	W3	
psi & MPa	W4		
Custom Dials	Logo or Custom Face	M	Consult factory for minimums.