



Plug-in Screw Connector System for Printed Circuit Boards

TYPE 115-F-111

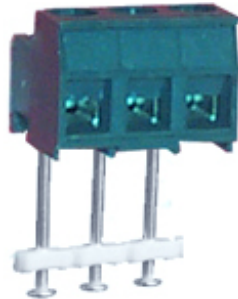
5 mm spacing - 2 to 12 poles



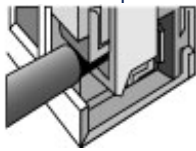
Series	Download PDF	3D Model	Can plug with	How to order	Color specifications	Print
--------	--------------	----------	---------------	--------------	----------------------	-------



115-F-111



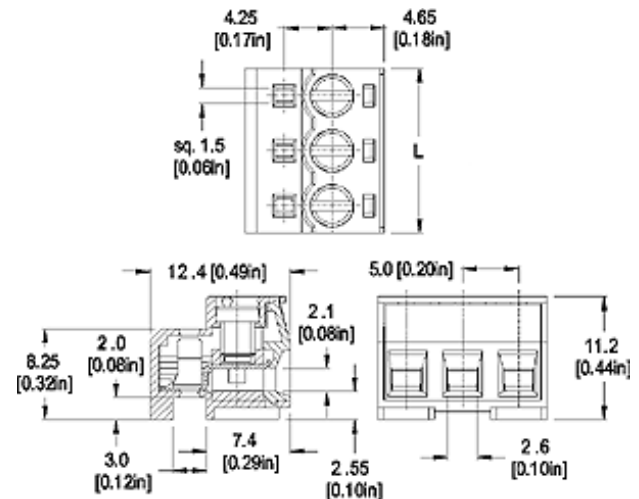
One possible variation of assembly



Elevator Style Clamping



RoHS WEEE Pb free compliant



Dimensions: mm (in.)

When locating connector, allow 0.5 mm clearance around it for process-induced variations.

Approval Information

UL File No.E69841

CSA File No.LR24322



Rating	Current(A)	Voltage(V)	Application group	AWG
UL	12	300	B	26-14
UL	10	300	D	26-14
CSA	15	300	B, D	26-14

Screw Tightening Torque:

UL: 2.0 lbf·in

CSA: 0.2 Nm

Rated Impulse Withstand Voltage: 2500 V

Description

The 115-F is part of the plug-in screw connector family with an elevator style clamping mechanism. It was developed as an alternative to 950-FL connector types.

The 115-F-111 is a low profile version that makes applications in flat housings possible. The footprint is designed towards making a perfect match with 971-SLK type pinstrips.

- Plug
- Solid version
- low profile

Material

- Plug-In Direction Perpendicular to PCB and Wire Entrance Parallel to PCB when plugged with **971-SLK /-SLS /-SLW, 971-SLK-SMD, 971-SLK-THR, 971-SLK-CPL, 971-SLT-SMD**
- Elevator Style Clamping mechanism

Technical Data

Center to Center Spacing: 5 mm (0.197 in.)

Nominal Cross Section:

2.1 mm² (3255 mils²)

Wire Stripping Length: 6.5 mm (0.25 in.)

Molding: Polyamide, self extinguishing UL 94, V-0, color grey

Temperature limits:

Short Time: 140°C (284°F)

Continuous: RTI 105°C (221°F)

Low Limit: -40°C (-40°F)

Comparative Tracking Index: CTI > 600

Oxygen Index Rating: 32%

Terminal Body: Nickel plated copper alloy

Contact Spring: Tin plated copper alloy

Screw: M3, Zinc plated blue passivated or tin plated

▲
Top of page

How to order

Item 115-F-111

Options

CN: Consecutive Numbering (hot stamped numbers)

SM: Special Marking (please provide sketch)

115-F-111/

POLES:
02 to 12

[Request sample](#)

[Request quote](#)

Quantity

Accessories

[Add to shopping cart](#)