



### GLDA01C



*Actual product appearance may vary.*

**Global Limit Switches Series GLS: Top Roller Plunger, 1NC 1NO SPDT Snap Action, 0.5 in - 14NPT conduit**

#### Features

- Designed to IEC standard for world-wide applications
- UL, CSA, and CE
- International conduit sizes
- Direct PLC interface compatible (two circuit)
- Modular construction reduces maintenance parts costs
- Designed for ease of installation
- Variety of basic switch versions
- Wide choice of actuators

#### Potential Applications

- Machine tools: metal fabrication equipment, presses, transfer lines and special machinery
- Material handling equipment: conveyors, elevators, cranes, and hoists
- Packaging machinery and process equipment
- Textile machinery
- Construction machinery and equipment, vehicles and lift trucks

#### Description

The GLS series limit switches are specifically designed for world-wide applications and are supported by Honeywell global resources for sale and after sale service.

Product Specifications	
Availability	Global
Operating Force (O.F.)	16,0 N [3.60 lb]
Pretravel (P.T.)	3,0 mm [0.12 in]
Overtravel (O.T.)	3,0 mm [0.12 in]
Differential Travel (D.T.)	0,9 mm [0.035 in]
Product Type	EN50041/47 Global Limit Switch
Actuator	Top Roller Plunger
Lever Style	None
Circuitry	1NC 1NO SPDT Snap Action
Ampere Rating	10 A (Thermal)
Supply Voltage	600 Vac and 250 Vdc max.

Housing Material	Plastic
Termination Type	0.5 in - 14NPT conduit
Housing Type	EN 50047
Series Name	GLS MIN-DIN
Shock	50 g per IEC 68-2-27c (w/o Actuator)
Vibration	10 g per IEC 68-2-6 (w/o Actuator)
Sealing	NEMA 1, 12, 13 IP66
Approvals	UL, CSA, CE
CSA File #	LR94369-3
UL File #	E37138 & E157416
Mechanical Life	15 million
Operating Temperature Range	-40 °C to 85 °C [-40 °F to 185 °F]
Agency Approvals and Standards	IEC 947-5-1, EN60947-5-1, UL508, UL746-C
UNSPSC Code	302119
UNSPSC Commodity	302119 Switches and controls and relays
Sealed	Industrial
Operating Position (O.P.)	28.0 mm [1.0 in]

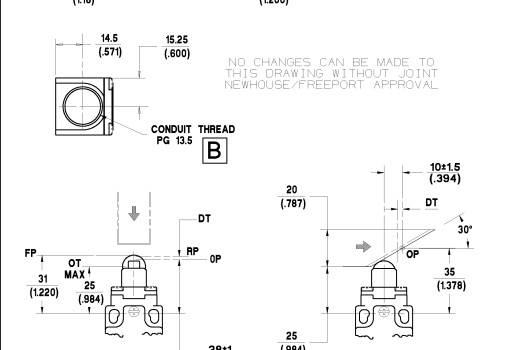
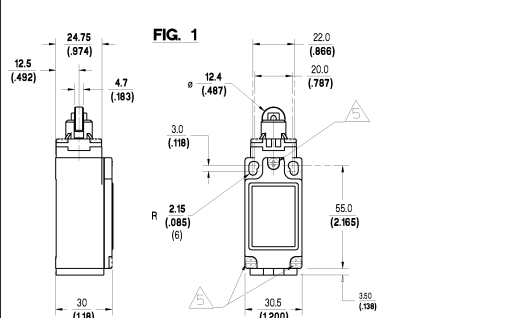
**MTG-GL-174**

REVISIONS

01	2/2/86
02	4/18/86
03	6/12/86
04	7/10/86
05	7/11/87
06	02-00093
07	5/19/97
08	02-00006
09	1/10/99
10	6/8/99

DRAWN: M. L. DUCH  
CHECKED: J. MEYER  
DESIGNED: J. BOYD

<b>HomeWell</b>	<b>LIMIT SWITCH</b>	CATALOGUE LISTING					CONTACT BLOCK DIAGRAM TERMINAL DESIGNATION TO EN 50013
		GLS CHART NO.: <b>MTG-GL-174</b>					NOMINAL TRAVELS AND RELATED TERMINALS CONTACT CLOSED CONTACT OPEN * POSITIVE OPENING TO IEC 947-5-1-3

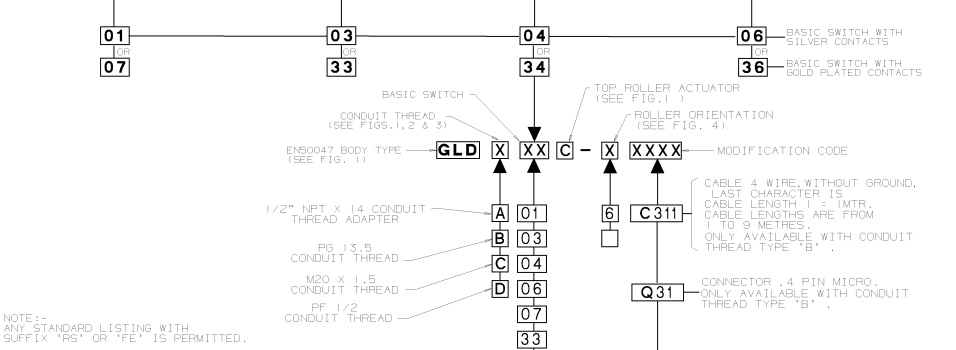
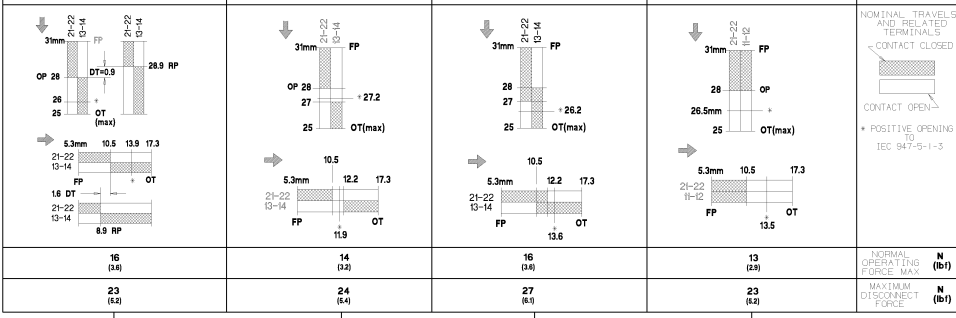


NOTES:-

- MICRO SWITCH BLUE GLASS FILLED POLYESTER HOUSING & COVER, BLACK GLASS FILLED POLYAMIDE HEAD.
- ENCLOSURE DOUBLE INSULATED TO IEC 539 CLASS II.
- MINIMUM OPERATING VELOCITY (V<sub>min</sub>) : 1.0 MM/S (THESE LIMITS APPLY TO CAM OPERATION AS SHOWN IN THE MAXIMUM OPERATING VELOCITY (V<sub>max</sub>) : 100 MM/S ABOVE DIAGRAMS ONLY)
- MAXIMUM OPERATING FREQUENCY (f<sub>max</sub>) : 250 OPS/MIN
- FREE POSITION (FP), OPERATING POINT (OP), OVERTRAVEL (OT) AND PRETRAVEL (PT) AL TO EN50047.
- MAXIMUM TIGHTENING TORQUE FOR FIXING SCREW : 0.5Nm (4.4in.LB)

IEC 947-5-1 ELECTRICAL RATING				ENVIRONMENTAL		APPROVALS
SILVER CONTACTS		GOLD PLATED CONTACTS				
AC	DC	AC	DC	IP66	NEMA 1, 4, 12, 13	UL ULC IEC 947-5-1 EN50047
10A 250V	10A 250V	10A 250V	10A 250V	TEMP RANGE : -25°C TO 95°C STORAGE : -40°C TO 165°F SHOCK : 50G PER IEC 68-2-27 VIBRATION : 10G PER IEC 68-2-6		
10A 125V	10A 125V	10A 125V	10A 125V			
10A 60V	10A 60V	10A 60V	10A 60V			
10A 30V	10A 30V	10A 30V	10A 30V			
10A 15V	10A 15V	10A 15V	10A 15V			
10A 7.5V	10A 7.5V	10A 7.5V	10A 7.5V			
10A 3.75V	10A 3.75V	10A 3.75V	10A 3.75V			

SCALE: DIMENSIONS ARE IN MM/INCHES.



NOTE: FOR CONNECTION DIAGRAMS AND ADDITIONAL ELECTRICAL, ENVIRONMENTAL & DIMENSIONAL INFORMATION SEE DRAWING GL-4322.