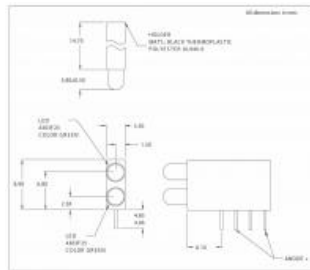




## Products

### Circuit Board Indicators

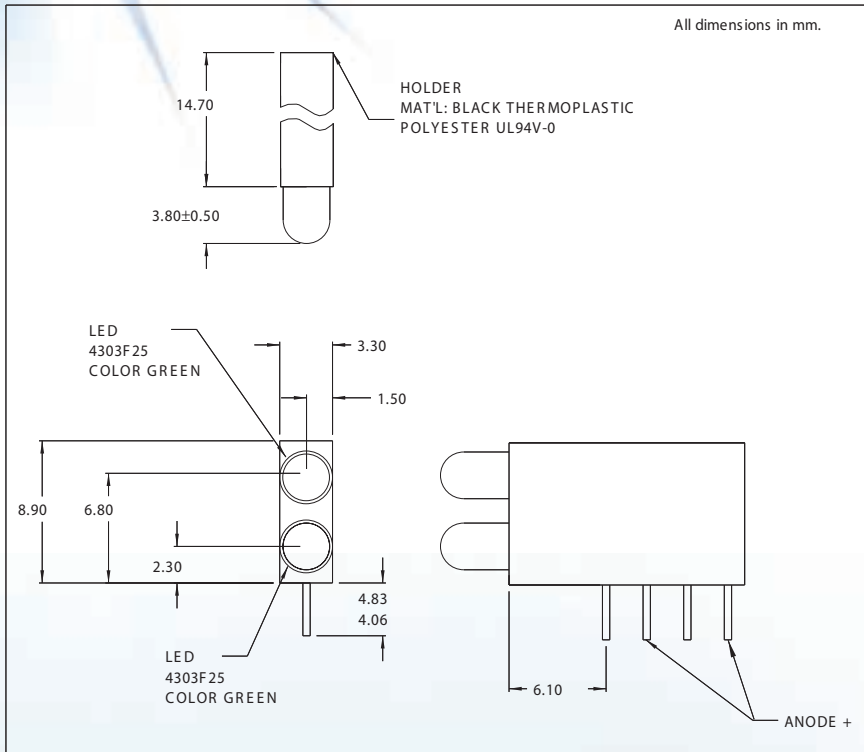
CML LED assemblies are available in both right angle and vertical package and utilize the CML IT line of high quality LEDs. Parts range in voltage from 2V to 12V and in current from 2mA to 20mA. The UL94V0 housings ensure proper LED alignment.



Part Number: 5682F1  
Serial Number: 5682F  
Emitted color: Red  
Lens color: Red  
Lum in min (mcd): 5.6  
Lum in typ (mcd): 16  
Rated current (mA): 10.0  
Cont forward current max: 30.0  
Fwd volts type: 2.0  
Forward volt max.: 3.0  
Reverse breakdown V: 3  
Viewing angle (°): 55  
Peak wave length (nm): 650  
Housing type: UL94V-0  
RoHS Status: Yes

**5682F Series Dual Mount T-1 LED Assembly**

**DESCRIPTION AND FEATURES**



**Features:**

- 2 T-1 LEDs mounted in single block saves space and assembly time.
- High density only 0.13 wide.
- Black plastic mounting block for high contrast ratio.
- Meets UL 94V-O and Bellcore flammability specifications.

**Available options:**

- Low current, 5V and 12V built-in resistors.
- Bi-color and blue LEDs also offered.
- Call factory for ordering information.

Mounting hole pattern on page 1-X3.

Ordering Information: Use chart below to determine model number.

|     |     |       |       |        |
|-----|-----|-------|-------|--------|
|     | Red | Amber | Green | Yellow |
| LED | 1   | 3     | 5     | 7      |

Model No. is as follows: 5682F          ;           
Top LED Bottom LED

Example: To order red LED on top and green LED on bottom, the part number would be 5682F1;5.

**ELECTRO-OPTICAL CHARACTERISTICS AND RATINGS**

| Part Number | Emitted Color | Rated Current (mA) | Typ. Intensity (mcd) | Continuous Forward Current Max. (mA) | Forward Voltage |          | Reverse Breakdown Voltage Min.(V) | Peak Wavelength (nm) |
|-------------|---------------|--------------------|----------------------|--------------------------------------|-----------------|----------|-----------------------------------|----------------------|
|             |               |                    |                      |                                      | Typ. (V)        | Max. (V) |                                   |                      |
| 5682F1      | Red           | 10                 | 10.0                 | 25                                   | 2.2             | 3.0      | 5.0                               | 635                  |
| 5682F3      | Amber         | 10                 | 6.5                  | 25                                   | 2.2             | 3.0      | 5.0                               | 602                  |
| 5682F5      | Green         | 10                 | 8.5                  | 25                                   | 2.3             | 3.0      | 5.0                               | 565                  |
| 5682F7      | Yellow        | 10                 | 10.0                 | 20                                   | 2.2             | 3.0      | 5.0                               | 583                  |