
[IEC INLET FILTERS](#)



Primary Power Components Division

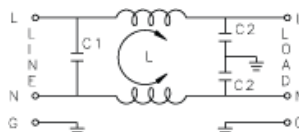
[EMI Filter Cross Reference](#)

[EMI Filter Inquiry Form](#)

**RoHS
Compliant**

857 Series Right Angle Multi-Purpose Filters

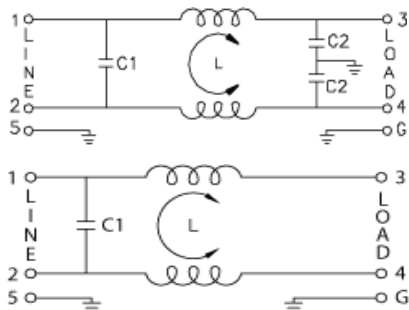
A compact filter with IEC connector for EMI suppression



Part Number		Similar to Corcom	Amp Rating	Size (in.) L x W x H
857-01/046		1EF2F	1	1.50 x 1.22 x 1.02
857-03/047		3EF2F	3	1.50 x 1.22 x 1.02
857-06/048		6EF2F	6	1.50 x 1.22 x 1.02
857-10/049		10EF2F	10	1.50 x 1.22 x 1.02

858 Series Screw Mount IEC Connector

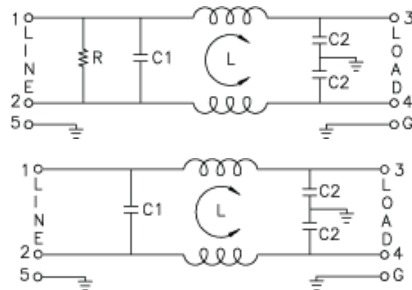
Screw Mount high performance filter With a C20 connector



Part Number		Similar to Corcom	Amp Rating	Size (in.) L x W x H
858-01/003		1ED1/1EEB1/1EEC1	1	1.97 x 1.99 x 0.83
858-03/007		3ED1/3EEA1/3EEB1/3EEC1/3EF1F	3	1.97 x 1.99 x 0.83
858-03/013		3EC1	3	1.97 x 1.99 x 0.83
858-06/011		6ED1/6EEA1/6EEB1/6EEC1/6EF	6	2.10 x 2.05 x 0.85
858-06/014		6EC1	6	2.10 x 2.05 x 0.85
858-10/015		10ED1/10EEA1/10EEB1/10EF1F	10	1.97 x 1.99 x 0.83
858-10/022		10EC1	10	1.97 x 1.99 x 0.83
858-20/069		-	20	3.19 x 2.09 x 1.04

869 Series Snap-In IEC Connector

Snap-In high performance filter with a C20 connector

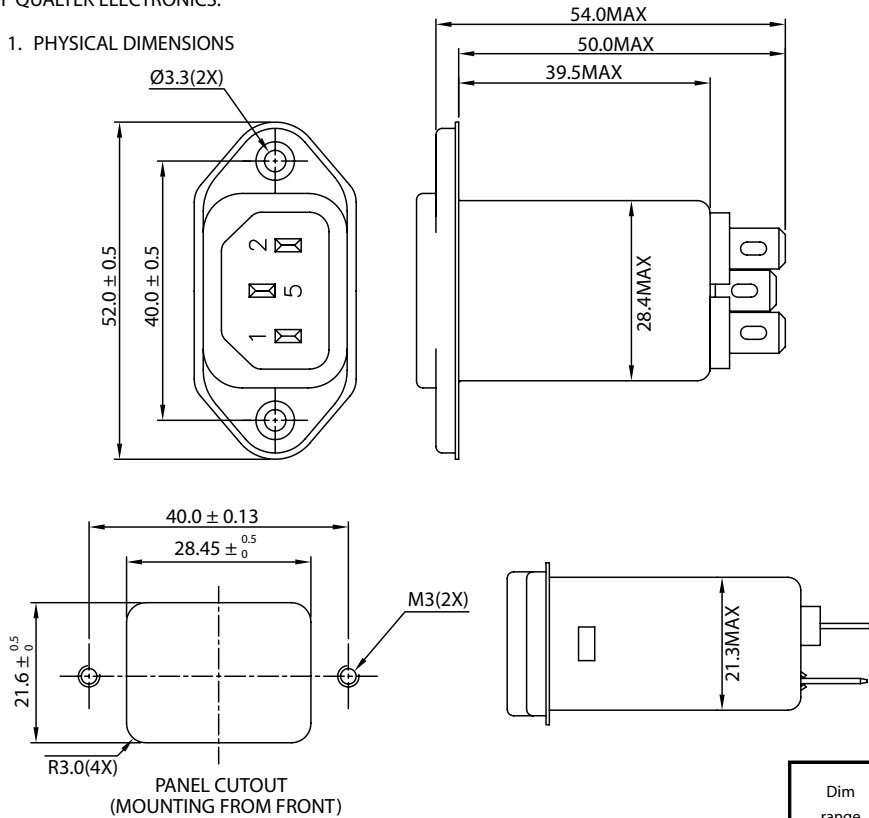


Part Number		Similar to Corcom	Amp Rating	Size (in.) L x W x H
869-03/006		3EBS1	2	2.08 x 1.12 x 0.84

THESE DRAWINGS ARE THE PROPERTY OF QUALTEK ELECTRONICS AND NOT TO BE REPRODUCED FOR OR COMMUNICATED TO A THIRD PARTY WITHOUT THE EXPRESS WRITTEN PERMISSION OF AN OFFICER OF QUALTEK ELECTRONICS.

REVISION		
REV.	DESCRIPTION	APPROVED
B	RoHS Compliancy	DP
C	Updated Specifications	LY

1. PHYSICAL DIMENSIONS



ELECTRICAL CHARACTERISTICS:

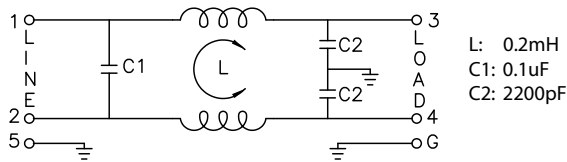
- 1-1. VOLTAGE RATING.....115/250VAC
- 1-2. CURRENT RATING
 - A. @ 115 VAC.....10 A RMS MAX
 - B. @ 250 VAC.....10 A RMS MAX
- 1-3. OPERATING FREQUENCY.....50/60Hz
- 1-4. LEAKAGE CURRENT: EACH LINE TO GROUND
 - A. @ 115 VAC 60Hz.....0.20 mA MAX
 - B. @ 250 VAC 50Hz.....0.40 mA MAX
- 1-5. HIPOT RATING (FOR ONE MINUTE)
 - A. LINE TO GROUND.....2250 VDC
 - B. LINE TO LINE.....1450 VDC
- 1-6. MINIMUM INSERTION LOSS IN dB: (AT 50 OHM SYSTEM)

FREQ. MHz	.01	.05	.10	.15	.50	1.0	5.0	10	30
COM. MODE dB	/	1	2	4	10	13	28	35	40
DIF. MODE dB	/	1	2	4	10	15	25	30	40

- 1-7. OPERATING TEMPERATURE.....-25° TO +100° C
- 1-8. SAFETY:
- 1-9. RoHS COMPLIANT

CONTROLLED

2. ELECTRICAL SCHEMATIC



Dim range (mm)		Tolerance +/- (mm)	Qualtek Electronics Corp. PPC DIVISION	
0-1	0.15		Part Number: 858-10/015	
1-6	0.20		Description: EMI FILTER	
6-18	0.30			UNIT: mm
18-50	0.50		Drawn / Date	
50-120	0.70		B.ZHANG	
120-250	0.90			
250-500	1.20			