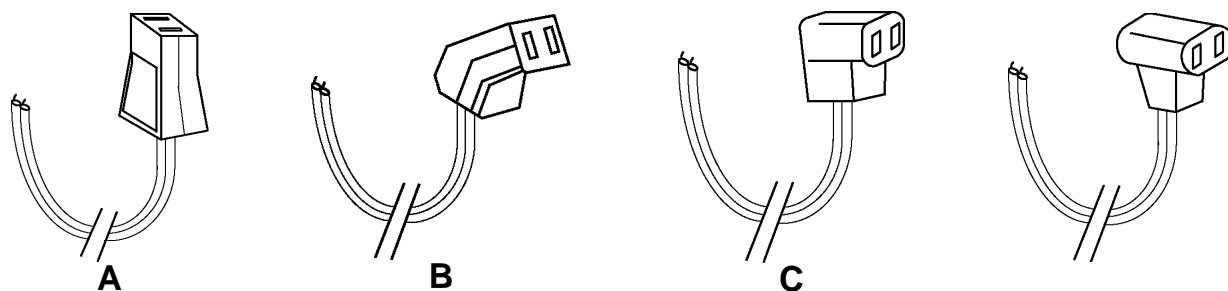


Fan Power Cords - 07 Series

Four configurations of high quality fan power cords designed to be used with tubeaxial fans with a strain relief for added safety. UL and CSA rated at 7 amps/300 volts with special configurations such as daisy chain, special length, color and a power plug are available.

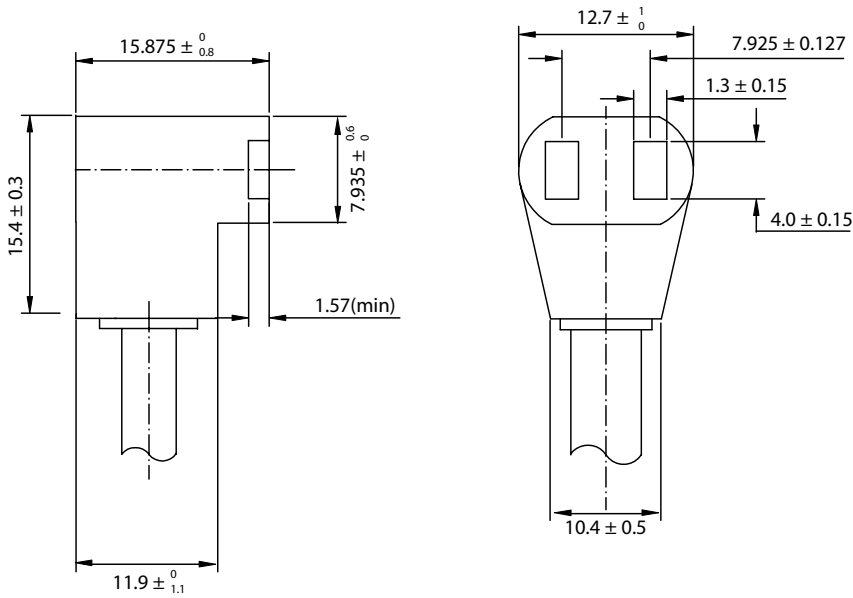
**RoHS
Compliant**



Part Number	Cord Length		Style	Figure	Cordage
	mm	in			
07100-12	305	12	Straight	A	SPT-1(18/2)
07100-24	610	24	Straight	A	SPT-1(18/2)
07100-36	915	36	Straight	A	SPT-1(18/2)
07100-40	1016	40	Straight	A	SPT-1(18/2)
07100-50	1270	50	Straight	A	SPT-1(18/2)

07100-60	1524	60	Straight	A	SPT-1(18/2)
07100-80	2034	80	Straight	A	SPT-1(18/2)
07145-12	305	12	45°	B	SPT-1(18/2)
07145-24	610	24	45°	B	SPT-1(18/2)
07145-36	915	36	45°	B	SPT-1(18/2)
07145-40	1016	40	45°	B	SPT-1(18/2)
07145-50	1270	50	45°	B	SPT-1(18/2)
07145-60	1524	60	45°	B	SPT-1(18/2)
07145-80	2034	80	45°	B	SPT-1(18/2)
07190-12	305	12	90°	C	SPT-1(18/2)
07190-24	610	24	90°	C	SPT-1(18/2)
07190-36	915	36	90°	C	SPT-1(18/2)
07190-40	1016	40	90°	C	SPT-1(18/2)
07190-50	1270	50	90°	C	SPT-1(18/2)
07190-60	1524	60	90°	C	SPT-1(18/2)
07190-80	2034	80	90°	C	SPT-1(18/2)
07199-12	305	12	T-Type	D	SPT-1(18/2)
07199-24	610	24	T-Type	D	SPT-1(18/2)
07199-36	915	36	T-Type	D	SPT-1(18/2)
07199-40	1016	40	T-Type	D	SPT-1(18/2)

REVISION			
REV.	DESCRIPTION	DATE	APPROVED
B	RoHS Compliancy	06-01-06	DP



NOTES:

1. UL LISTED (10 AMP/125 V)
CSA CERTIFIED (7 AMP/125 V)
2. CORDAGE: SPT-1, 18/2, 105°C, 300V
3. CORD LENGTH: 12 INCHES
4. TERMINATION: BLUNT CUT
5. RoHS COMPLIANT

CONTROLLED

Dim range (mm)	Tolerance +/- (mm)	Qualtek Electronics Corp. FAN-S DIVISION		
		Part Number: 07190-12 RoHS Compliant		Description: MOLDED FAN CORD FEMALE 90°
0-1	0.15	UNIT: mm	REV: B	
1-6	0.20	Drawn / Date	Checked / Date	
6-18	0.30	B.ZHANG	10-18-02	
18-50	0.50	10-18-02	Approved / Date	
50-120	0.70	10-18-02	JJH / 10-18-02	
120-250	0.90			
250-500	1.20			