

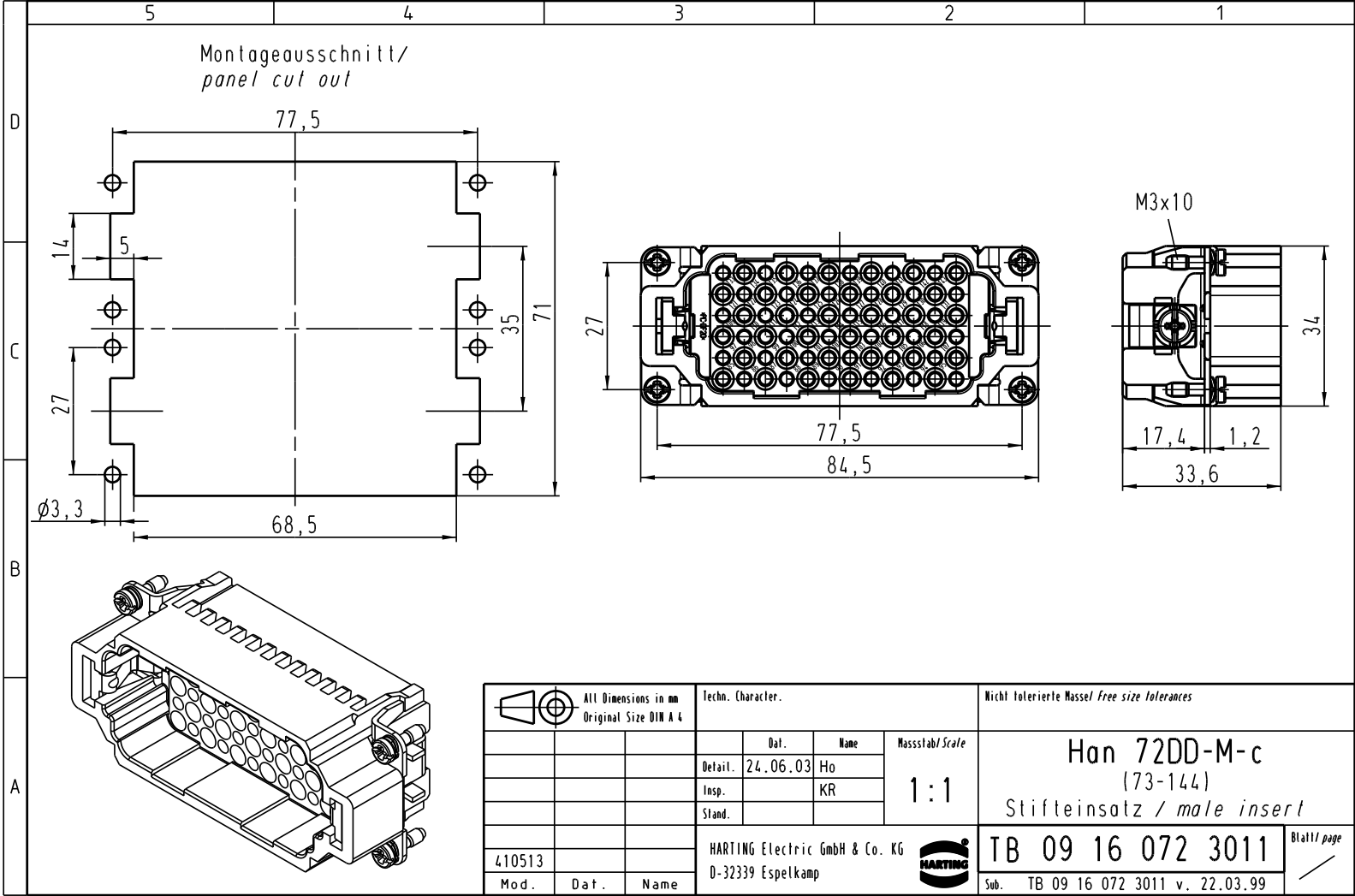
Product details

09 16 072 3011

Male insert, Han 144 DD

Series	Han DD®
Number of contacts	144 poles + PE
Size of hood/housing	Han® 32 B
Termination	Crimp termination
Insert material	Standard material
Contacts	Order separately
Electrical data	10 A 250 V 4 kV 3
RoHS compliant	Yes

Alle Rechte vorbehalten/ All rights reserved



All Dimensions in mm Original Size DIN A 4		Techn. Character.			Nicht tolerierte Masse! free size tolerances	
			Dat.	Name	Massestab/Scale	Han 72DD-M-c (73-144) Stifteinsatz / male insert
			Detail: 24.06.03	Ho		
			Insp.	KR		
			Stand.			
410513			HARTING Electric GmbH & Co. KG			TB 09 16 072 3011 Sub. TB 09 16 072 3011 v. 22.03.99
Mod.	Dat.	Name	D-32339 Espelkamp			