

- Back**
- o PushPull Power
  - o Flat Cable Connectors SEK
  - o *har-mik®*
  - o D-Sub
  - o InduCom

---

● **Applications**

---

## Product details

---

**09 04 232 6826**

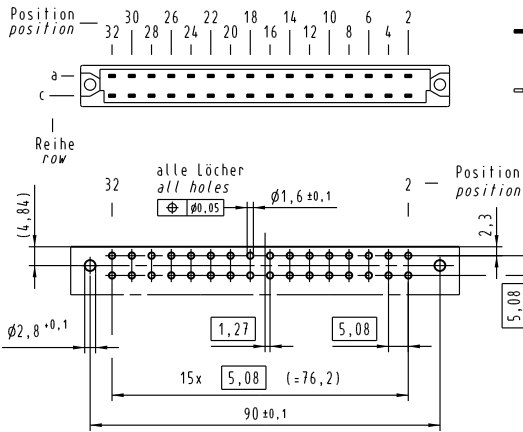
### Printed board connector

Type	Type D
Standard/Inverse	Inverse
Contact gender	Female contacts
Size	Whole size
Number of contacts	32 poles
Contact arrangement	Rows a and c
Termination	Angled solder pins
Termination length	3.0 mm
Performance Class	Performance level 2 as per IEC 60603-2
Contacts	with contacts
Row pitch	5.08 mm
Board fixing	Without fixing
Coding facility	without coding facility
Current	6 A max.
Clearance/ Creepage	3,0 / 3,0 mm min
RoHS compliant	Yes

**Inquiry**

Alle Rechte vorbehalten. All rights reserved.

**X**  
Kontaktanordnung  
contact arrangement

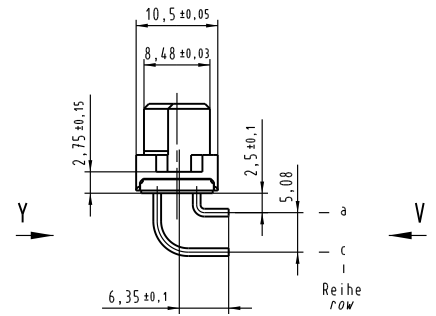


32 Einlötlöt 1x1 - Kontakte  
32 solder 1x1 - contacts

- = Kontaktposition belegt  
= position with contact
- = Kontaktposition nicht belegt  
= position without contact

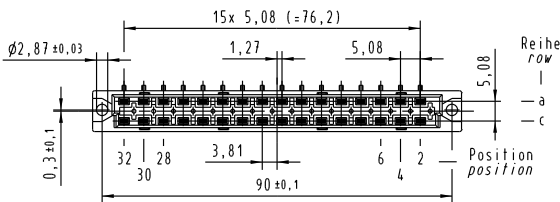
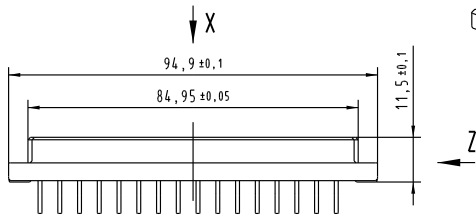
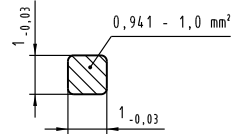
Y  
(Lochbild)  
(board drillings)

**Z**  
2:1



**V**  
10:1

Querschnitt der Lötanschlüsse:  
cross-section of solder termination:



-	-	-
09 04 232 6826	2	Au über/over Ni
09 04 232 2826	1	Au über/over Ni
Bestell-Nr. part-no.	Anforderungsstufe nach IEC performance level acc. to IEC	Kontaktoberfläche contact plating

	Techn. Character.		Nicht tolerierte Maß/Free size tolerances																						
	IEC 60603-2		IEC 60603-2																						
<table border="1"> <tr> <th>Mod.</th> <th>Dat.</th> <th>Name</th> </tr> <tr> <td>33859</td> <td></td> <td></td> </tr> </table>	Mod.	Dat.	Name	33859			<table border="1"> <tr> <th>Defait.</th> <th>Dat.</th> <th>Name</th> </tr> <tr> <td>14.08.06</td> <td>LehT</td> <td></td> </tr> <tr> <td>14.08.06</td> <td>mte</td> <td></td> </tr> <tr> <td>Stand.</td> <td></td> <td></td> </tr> </table>	Defait.	Dat.	Name	14.08.06	LehT		14.08.06	mte		Stand.			<table border="1"> <tr> <th>Maßstab/Scale</th> </tr> <tr> <td>1:1</td> </tr> <tr> <td>2:1</td> </tr> </table>	Maßstab/Scale	1:1	2:1	<p><b>Bauform / type 0</b> Federleiste Einlötlöt 1x1 gewinkelt 32 pol. female connector solder 1x1 angled 32 pol.</p>	
	Mod.	Dat.	Name																						
33859																									
Defait.	Dat.	Name																							
14.08.06	LehT																								
14.08.06	mte																								
Stand.																									
Maßstab/Scale																									
1:1																									
2:1																									
<p>HARTING Electronics GmbH &amp; Co. KG D-32339 ESPELKAMP</p>			<p><b>TB 09 04 232 x826</b></p>																						
			<p>Sub. TB 09 04 232 6826 Mod. - v. 04.11.87</p>																						

Blatt/ page