

# Inductive Sensors

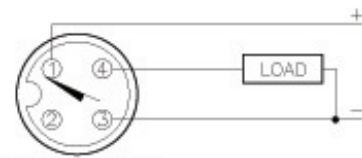


Housing Style	Part Number	ID Number	Features	Sensing Range (mm)	Output
<b>6.5 mm - Nonembeddable, Miniature Smooth, picofast® Quick Disconnect</b> 	Ni 6U-EH6.5-AP6X-V1131	S4631510	Uprox+	6	3-Wire DC PNP
<b>12 mm - Embeddable, Potted-In Cable</b> 	Bi 5U-Q12-AN6X2	M1635523	Uprox+	5	3-Wire DC NPN
	Bi 5U-Q12-AP6X2	M1635522	Uprox+	5	3-Wire DC PNP
<b>12 mm - Embeddable, eurofast® Connection</b> 	Bi 5U-Q12-AN6X2-H1141	M1635527	Uprox+	5	3-Wire DC NPN
	Bi 5U-Q12-AP6X2-H1141	M1635526	Uprox+	5	3-Wire DC PNP
<b>12 mm - Embeddable, picofast Connection</b> 	Bi 5U-Q12-AN6X2-V1131	M1635525	Uprox+	5	3-Wire DC NPN
	Bi 5U-Q12-AP6X2-V1131	M1635524	Uprox+	5	3-Wire DC PNP

Voltage	Switching Freq. (Hz)	Operating Current (mA)	Operating Temp. (°C)	Protection	Housing	Face	Power LED	Output LED	Mating Cordset	Wiring Diagram #	Wiring Diagrams
10-30 VDC	1000	≤150	0 to +70	IP 68	SS	PA 12	N/A	YE	PKG 3Z-*	1	<p><b>Diagram 1</b></p>
10-30 VDC	1000	≤200	-25 to +70	IP 68	PA 12	LCP	GN	YE	2M/PVC	2	<p><b>Diagram 2</b></p>
10-30 VDC	1000	≤200	-25 to +70	IP 68	PA 12	LCP	GN	YE	2M/PVC	3	<p><b>Diagram 3</b></p>
10-30 VDC	1000	≤200	-25 to +70	IP 68	PA 12	LCP	GN	YE	RK 4T-*	4	<p><b>Diagram 4</b></p>
10-30 VDC	1000	≤200	-25 to +70	IP 68	PA 12	LCP	GN	YE	RK 4T-*	5	<p><b>Diagram 5</b></p>
10-30 VDC	1000	≤200	-25 to +70	IP 68	PA 12	LCP	GN	YE	PKG 3Z-*	6	<p><b>Diagram 6</b></p>
10-30 VDC	1000	≤200	-25 to +70	IP 68	PA 12	LCP	GN	YE	PKG 3Z-*	1	

\* Length in meters.

WIRING DIAGRAM

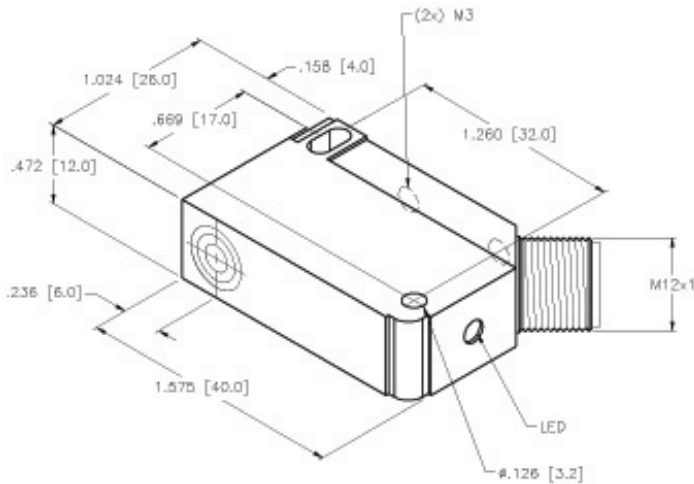


OUTPUT: AP6X2

SHORT-CIRCUIT AND OVERLOAD PROTECTED

SPECIFICATIONS

RATED OPERATING DISTANCE(Sn)	5mm = .197" (NOMINAL)
MOUNTING MODE	FLUSH
DIFFERENTIAL TRAVEL (HYSTERESIS)	3-15%
MIN. REPEAT ACCURACY	≤ 2%
TEMPERATURE DRIFT	≤ ± 10%
OPERATING TEMPERATURE	-25°C to +70°C (-13°F to +158°F)
RATED OPERATIONAL VOLTAGE	10-30 VDC
RIPPLE	≤10%
RATED OPERATIONAL CURRENT	≤ 200 mA
NO-LOAD CURRENT	≤ 15 mA
RESIDUAL CURRENT	≤0.1 mA
RATED INSULATION VOLTAGE	≤0.5 kV
SHORT-CIRCUIT PROTECTED	YES, CYCLIC
MAX. VOLTAGE DROP	≤ 1.8 V
WIRE BREAKAGE PROTECTION	INCORPORATED
REVERSE POLARITY PROTECTION	INCORPORATED
OUTPUT FUNCTION	3-WIRE, NORMALLY OPEN, PNP
MAX. SWITCHING FREQUENCY	≤1.0 kHz
HOUSING MATERIAL	PLASTIC, PA12-GF20
ACTIVE FACE MATERIAL	PLASTIC, PA12-GF20
CONNECTION	M12x1
VIBRATION	56 Hz, 1 mm AMPLITUDE (IN ALL 3 PLANES)
SHOCK	30 g, 11 ms
PROTECTION DEGREE	IP68
OPERATING VOLTAGE DISPLAY	LED: GREEN
SWITCHING STATUS INDICATION	LED: YELLOW



SOURCE DRAWING - FOR REFERENCE ONLY

CABLE LENGTH	TOLERANCE
ALL LENGTHS	+ .4% (OR 50mm) OF LENGTH - .0% (OR 0mm) OF LENGTH WHICHEVER IS GREATER
STRIP LENGTH	TOLERANCE
0-75mm	±.50mm
75-90mm	±.30mm
90-105mm	±.20mm
105-120mm	±.10mm
120-135mm	±.05mm
OVER 135mm	±.02mm

RELATED DOCUMENTS	3RD ANGLE PROJECTION	THIS DRAWING IS PROPERTY OF TURCK INC. USE OF THIS DOCUMENT WITHOUT WRITTEN PERMISSION IS PROHIBITED.		<b>TURCK INC</b> High Technology Sensors and Automation Controls	
1. 2. 3. 4.		DRAWN: RDS	DATE: 10/13/06	DESCRIPTION: BI 5U-Q12-AP6X2-H1141	
MATERIAL: SEE NOTES	TOLERANCES UNLESS OTHERWISE SPECIFIED: .X ±0.02 .XX ±0.01 .XXX ±0.005 ANGLES ±1°	USER: AF	SCALE: 1=.8	IDENTIFICATION NO.: M1635526	
FINISH: SEE NOTES	ALL MILLIMETER DIMENSIONS ARE REFERENCE ONLY	UNIT OF MEASUREMENT: <b>INCH [ MILLIMETER ]</b>		REV: A	
A DRAWING RELEASE	RDS 10/13/06	DO NOT SCALE THIS DRAWING		FILE: M1635526	SHEET 1 OF 1