



## Phone\_Jacks\_Standard

[Advanced](#)

**New Item**

SOS TurboFlare

### Custom Cable Assemblies

Build Your Own Cable!

### Cable Assemblies

Unshielded Jumpers

Shielded Patch Cords

Power\_Cords

Mini\_DIN

Coaxial

Audio\_Extension

### Connectors

RCA

UHF\_Coaxial

Standard\_MIC

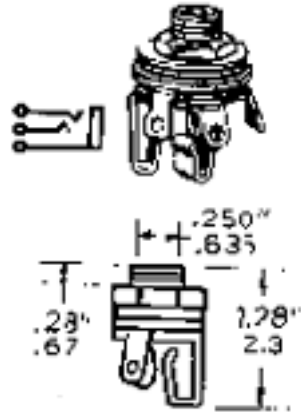
Primary\_Power\_Receptacles

Miniature\_Audio

Gold\_Audio

DC\_Power

### Jacks and Plugs



*"3 cond. open circuit, metal"*

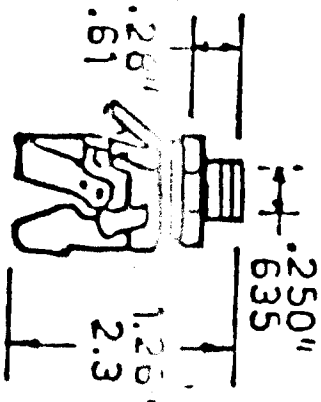
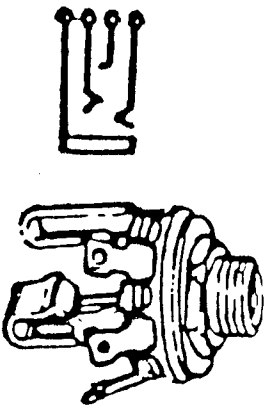
[View schematic](#)

Quantity:

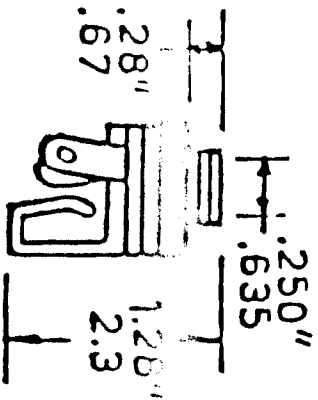
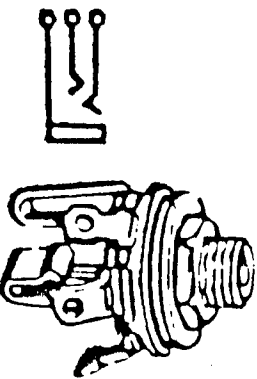
Nickel-plated brass and brass springs for long life and trouble free plug mating. Extra heavy duty insulators prevent breakdowns.

# ALECTRON CORPORATION

STOCK # 251-2080 SJ-208 - 3 COND. CLOSED CIRCUIT  
STOCK # 251-2090 SJ-209 - 3 COND. OPEN CIRCUIT



SJ-208



SJ-209

ALECTRON CORPORATION  
935 N. MAIN  
FT. WORTH, TX 76106  
(817) 626-8999