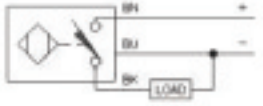
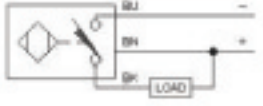


# TURCK

## Level Sensors - Capacitive

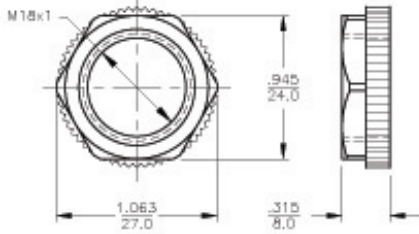


Housing Style	Part Number	ID Number	Features	Embeddable Range (mm)	Nonembed. Range (mm)	Output
18 mm - Embeddable, Potted-In cable 	BCF 5-S18-AP4X	M2503011	Noise Immune	5	7.5	3-Wire DC PNP
	BCF 5-S18-AP4X/S90	M2503014	Noise Immune	5	7.5	
	BCF 5-S18-AN4X	M2503012	Noise Immune	5	7.5	3-Wire DC NPN
	BCF 5-S18-RN4X	M2503008	Noise Immune	5	7.5	
18 mm - Embeddable, eurofast® Connector 	BCF 5-S18-AN4X-0.2M-RS 4T	M2503089	Noise Immune	5	7.5	3-Wire DC NPN
	BCF 5-S18-AP4X-0.2M-RS 4T	M2503099	Noise Immune	5	7.5	3-Wire DC PNP
30 mm - Embeddable, eurofast Connector 	BCF10-S30-VN4X-H1141	M2506016	Noise Immune	10	15	4-Wire DC NPN
	BCF10-S30-VP4X-H1141	M2506117	Noise Immune	10	15	4-Wire DC PNP
30 mm - Embeddable, microfast® Connector 	BCF10-S30-AZ3X-B3131	M2506012	Noise Immune	10	15	2-Wire AC

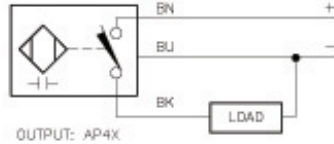
Voltage	Switching Freq. (Hz)	Switching Current (mA)	Operating Temp. (°C)	Protection Class	Housing	End Cap	Power LED	Output LED	Mating Cord, Cable Length/Jacket	Wiring Diagram #	Wiring Diagrams
10-65 VDC	100	≤200	-25 to +70	IP 67	PA 12	PUR	N/A	YE	2M/PVC	1	Diagram 1
	100	≤200	-25 to +70	IP 67	PA 12	PUR	N/A	YE	2M/PUR	1	
10-65 VDC	100	≤200	-25 to +70	IP 67	PA 12	PUR	N/A	YE	2M/PVC	2	Diagram 2
	100	≤200	-25 to +70	IP 67	PA 12	PUK	N/A	YE	2M/PVC	2	
10-65 VDC	100	≤200	-25 to +70	IP 67	PA 12	PUR	GN	YE	RK 4T-*	3	Diagram 3
10-65 VDC	100	≤200	-25 to +70	IP 67	PA 12	PUR	GN	YE	RK 4T-*	4	Diagram 4
10-65 VDC	100	≤200	-25 to +70	IP 67	PA 12	PA 66	N/A	YE	RK 4.4T-*	5	Diagram 5
10-65 VDC	100	≤200	-25 to +70	IP 67	PA 12	PA 66	N/A	YE	RK 4.4T-*	6	Diagram 6
20-250 VAC	20	≤500	-25 to +70	IP 67	PA 12	PA 66	N/A	YE	KB 3T-*	7	Diagram 7

\* Length in meters.

LOCKNUT LN-P18



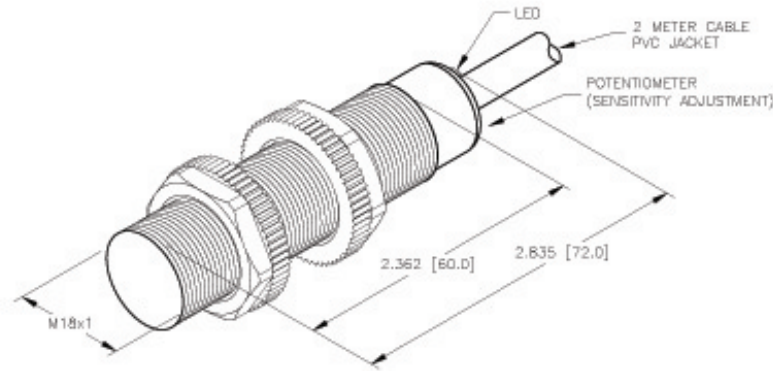
WIRING DIAGRAM



SHORT-CIRCUIT AND OVERLOAD PROTECTED

SPECIFICATIONS

OPERATING VOLTAGE	10-65 VDC
RIPPLE	≤10%
DIFFERENTIAL (TRAVEL) HYSTERESIS	2-20% (5% TYPICAL)
VOLTAGE DROP ACROSS CONDUCTING SENSOR	≤1.8 V at 200 mA
OUTPUT FUNCTION	SCHEMATICALLY ONLY 3 VOLT DC SELF-CONTAINED
TTL COMPATIBLE	NO
SHORT-CIRCUIT PROTECTED	YES
TRIGGER CURRENT FOR OVERLOAD PROTECTION	≥220 mA
CONTINUOUS LOAD CURRENT	≤200 mA
OFF-STATE (LEAKAGE) CURRENT	<100 μA
NO-LOAD CURRENT	≤12.0 mA
TIME DELAY BEFORE AVAILABILITY	≤25 ms
POWER-ON EFFECT PROTECTION	Per IEC 947-5-2
POLARITY INVERSION PROTECTION	INCORPORATED
WIRE-BREAK PROTECTION	INCORPORATED
OPERATING TEMPERATURE	-25°C to +70°C (-13°F to +158°F)
ENCLOSURE	MEETS NEMA 1,3,4,6,13 AND IEC IP67
SHOCK	30 g, 11 ms
VIBRATION	55 Hz, 1 mm AMPLITUDE (3 PLANES)
LED ON	OUTPUT ENERGIZED
SENSING RANGE	5 mm = .197" (NOMINAL)
SWITCHING FREQUENCY	100 Hz
REPEATABILITY	≤2% OF RATED OPERATING DISTANCE
IMMUNITY TO ESD	8 kV DIRECT/ 30 kV AIRBORNE
IMMUNITY TO RFI	15 V/M, 80-1000 MHz
IMMUNITY TO ELECTRICAL FAST TRANSIENTS	3000 V
IMMUNITY TO LINE COUPLED NOISE	>10V, 150 KHz-230 MHz
IMMUNITY TO SURGES	1 kV, 500 Ω DC



RELATED DOCUMENTS

- 1.
- 2.
- 3.
- 4.

3RD ANGLE PROJECTION



THIS DRAWING IS PROPERTY OF TURCK INC. USE OF THIS DOCUMENT WITHOUT WRITTEN PERMISSION IS PROHIBITED.

**TURCK INC**  
High Technology Sensors and Automation Controls

MATERIAL  
PA 12-GF30  
PLASTIC

TOLERANCES UNLESS OTHERWISE SPECIFIED  
.X ±0.02  
.XX ±0.01  
.XXX ±0.005  
ANGLES ±1°

DRPT RDS  
USDR

DATE 05/22/02  
SCALE NONE

DESCRIPTION  
BCF 5-518-AP4X

FRESH

UNIT OF MEASUREMENT  
**INCH [ MILLIMETER ]**

IDENTIFICATION NO.  
M2503011

REV  
B

B	UPDATE SPECS, WIRING DIAGRAM	JBW	02/10/03	10145
REV	DESCRIPTION	BY	DATE	EDD NO.

DO NOT SCALE THIS DRAWING

FILE: M2503011 SHEET 1 OF 1