

- Back**
- o Flat Cable Connectors SEK
  - o *har-mik*@
  - o D-Sub
  - o InduCom

---

• **Applications**

---

## Product details

---

**09 67 025 4701**

### **D-Sub - S cable connector**

Gender	Female connector
Termination	Crimp
Number of contacts	25
Flange	through hole 3.1 mm
Shell	tinned metal shell
Material	PBTP
Contact configuration	contacts must be order separately
RoHS compliant	Yes

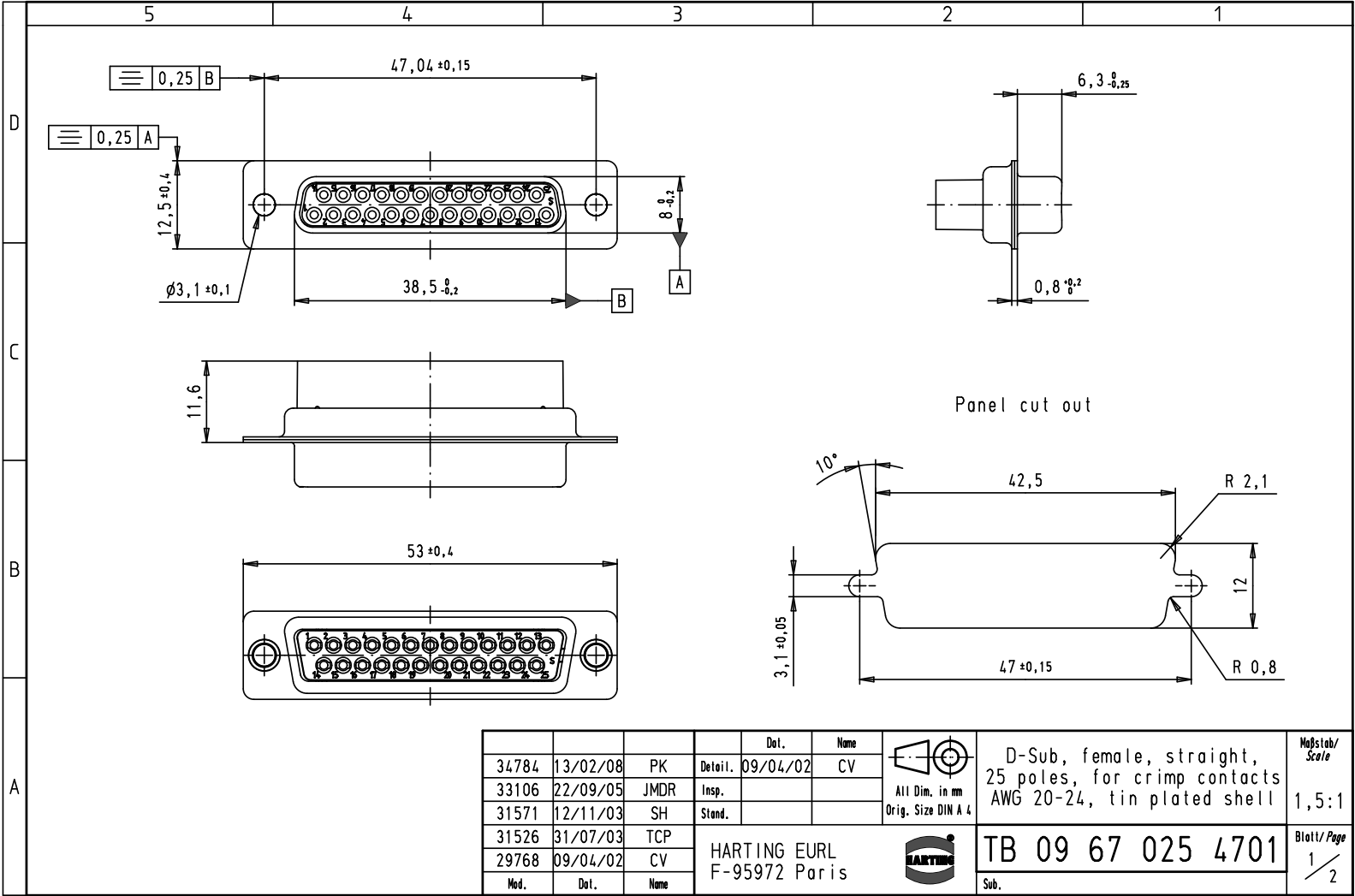
**Inquiry**



### **Available Downloads**

Title	Format	
Data sheet	PDF	<a href="#">download</a>
CAD data 2D	DXF	<a href="#">download</a>

### **Product news**

Alle Rechte vorbehalten/ All rights reserved



Mod.	Del.	Name	Detail.	Del.	Name	 All Dim. in mm Orig. Size DIN A 4	D-Sub, female, straight, 25 poles, for crimp contacts AWG 20-24, tin plated shell	Maßstab/ Scale
34784	13/02/08	PK	Detail.	09/04/02	CV			
33106	22/09/05	JMDR	Insp.			Blatt/ Page 1 / 2		
31571	12/11/03	SH	Stand.					
31526	31/07/03	TCP						
29768	09/04/02	CV	HARTING EURL F-95972 Paris			Sub.		