

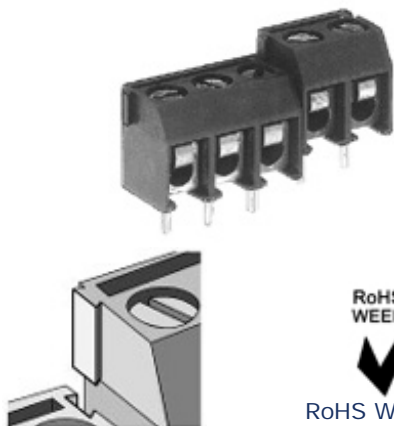
**Screw Connectors for Printed Circuit Boards**

**TYPE 950-T (-DS)**

5 mm spacing - 2 and 3 poles

 **Distributor Stock Check**

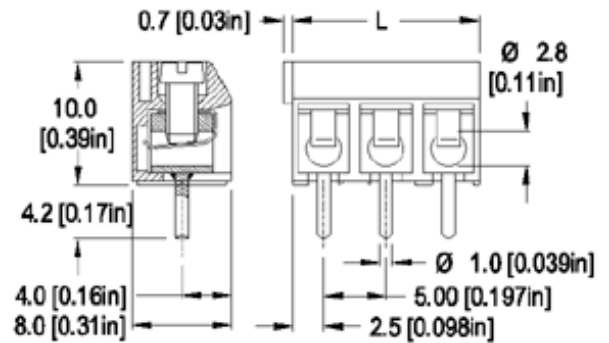
Series	Download PDF	3D Model	Can plug with	How to order	Color specifications	Print
--------	--------------	----------	---------------	--------------	----------------------	-------



Dovetail Interlocking Feature



RoHS WEEE Pb free compliant



Dimensions: mm (in.)

Length of Connector (L)  
L = No. of Poles x Center to Center Spacing

**When locating connector, allow 0.5 mm clearance around it for process-induced variations.**

**Description**

- Dovetail version
- low profile
- Wire entrance parallel to PC Board
- Can be factory, field or distributor assembled to almost any length

**Technical Data**

**Center to Center Spacing:** 5 mm (0.197 in.)

**Nominal Cross Section:**

1.5 mm<sup>2</sup> (2325 mils<sup>2</sup>)

**Wire Stripping Length:** 6 mm (0.25 in.)

**Recommended Hole Diameter in PC Board:**

1.3 mm (0.051 in.)

**Approval Information**

UL File No.E69841

CSA File No.LR24322 

Rating	Current(A)	Voltage(V)	Application group	AWG
UL	15	300	B	26-14
CSA	15	300	B	26-12

\* Version DS is CSA certified for 26-14 AWG.

**Screw Tightening Torque:**

UL: 3.5 lbf·in

CSA: 0.4 Nm

**International Approvals:**



**Rated Impulse Withstand Voltage:** 2500 V

**Material**

**Molding:** Polyamide, self extinguishing UL 94, V-0, color grey

**Temperature limits:**

**Short Time:** 140°C (284°F)

**Continuous:** RTI 105°C (221°F)

**Low Limit:** -40°C (-40°F)

**Comparative Tracking Index:** CTI > 600

**Oxygen Index Rating:** 32%

**Terminal Body:** Tin plated copper alloy

**Wire Protector:** Tin plated copper alloy

**Screw:** M2.6, Slotted head, zinc plated blue passivated, steel substrate

**Solder Pin:** Ø 1.0 mm (0.04 in.), Tin plated copper alloy

 [Top of page](#)

## How to order

**Item** 950-T (-DS)

### Options

CN: [Consecutive Numbering \(hot stamped numbers\)](#)

SM: [Special Marking \(please provide sketch\)](#)

BS: [Copper Alloy Screw](#)

PS: [Clear Chromate Passivated, zinc plated, Steel Screws](#)

G05: [Gold Plating \(5 micro inches\)](#)

G30: [Gold Plating \(30 micro inches\)](#)

S30: [Silver Plating \(30 micro inches\)](#)

XXMM: [Longer solder Pins up to 75 mm \(3 in.\)](#)

[Protruding length of pins, in millimeters:](#)

**Note:** Plated component: terminal body

WIRE PROTECTOR:  
with: - DS

POLES:  
2 and 3

950-T

/

[Request sample](#)

[Request quote](#)

### Accessories

[BST Self Adhesive Marking Strips.](#)

[Consecutively numbered.](#)

[Jumper, Type 970-J1.](#)

[Add to shopping cart](#)