

# Mini Incandescents

## T-2 Bulb

Line No.	Part Number	Base Type	Design Volts	Design Amps	End Foot Candela	Filament Type	Rated Life	Fig No.	Foot Notes
1	16ESB		Slide Base #5	16	0.04	0.17	<u>C-2F</u>	7,500	<u>51</u>

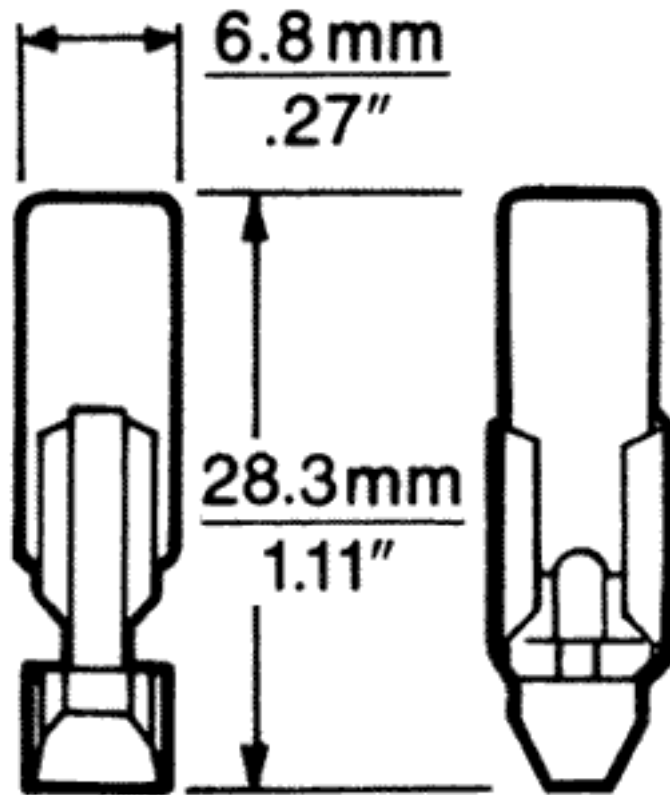


Fig. 51