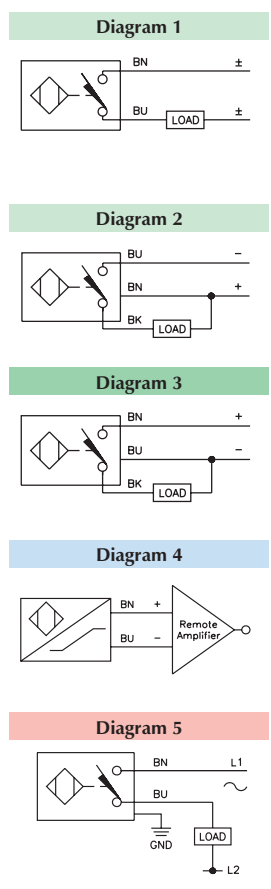


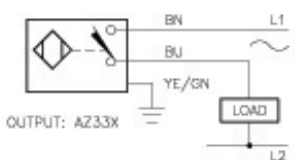
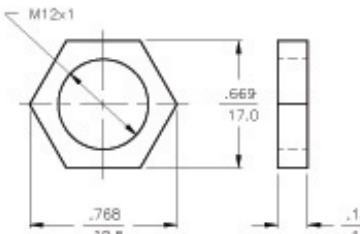
Inductive Sensors

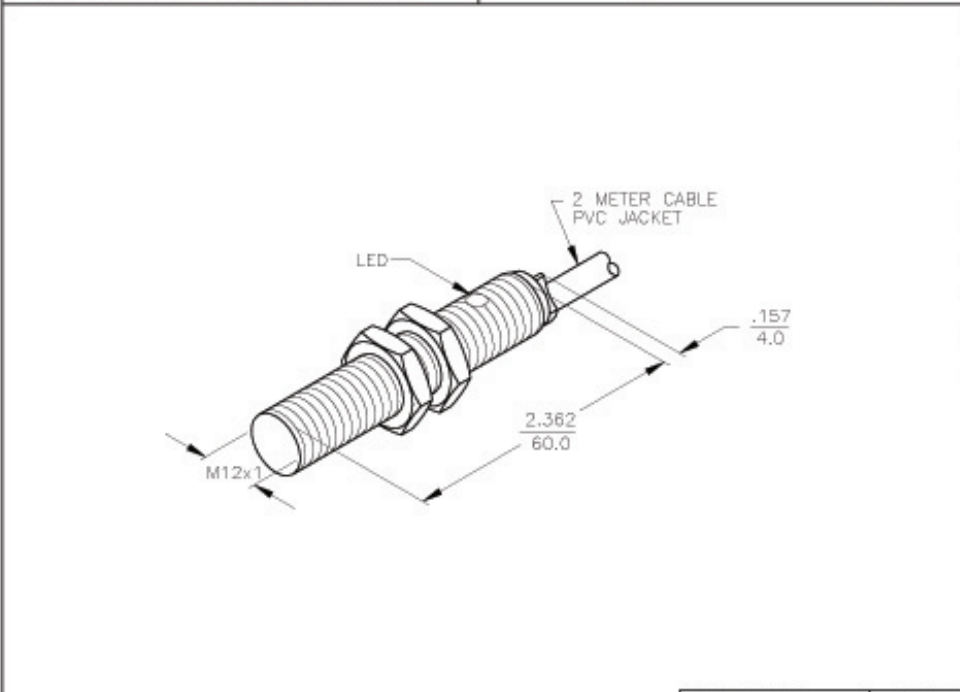


Housing Style	Part Number	ID Number	Features	Sensing Range (mm)	Output
12 mm - Embeddable, Potted-In Cable 	Bi 3-GT12K-AD4X/S1610	T4405083-2	<i>armorguard</i>	3	2-Wire DC
	Bi 2-EG12HK-AN6X/S1589	T4605192	<i>weldguard</i>	2	3-Wire DC NPN
	Bi 2-G12K-AN6X	T4671200	<i>Short Barrel</i>	2	
	Bi 4-G12K-AN6X	T4670251	<i>Short Barrel</i>	4	
	Bi 2-G12K-AP6X	T4670200	<i>Short Barrel</i>	2	3-Wire DC PNP
	Bi 4-G12K-AP6X	T4670250	<i>Short Barrel</i>	4	
	Bi 2-EG12-Y0X	T4012000		2	2-Wire DC NAMUR
	Bi 2-G12-Y0	T1005400		2	
	Bi 2-G12-Y0X	T4010000		2	
12 mm - Embeddable, Potted-In Cable 	Bi 2-EG12-AN6X	T4605101		2	3-Wire DC NPN
	Bi 2-G12-AN6X	T4635500		2	
	Bi 2-G12-AN7X	T4730500	<i>TTL Compatible</i>	2	
	Bi 4-G12-AN6X	T1690706	<i>Extended Range</i>	4	
	Bi 2-EG12-AP6X	T4605001		2	3-Wire DC PNP
	Bi 2-G12-AP6X	T4635400		2	
12 mm - Embeddable, Potted-In Cable 	Bi 2-G12-ADZ32X	T4205000		2	2-Wire AC/DC Short-circuit Protected
	Bi 4-G12-ADZ32X	T4205030	<i>Extended Range</i>	4	
	Bi 2-G12-AZ33X	T1304002		2	2-Wire AC/DC
	12 mm - Embeddable, Potted-In Cable, Teflon Coated 	Bi 2-GT12-ADZ32X/S34	T4205210	<i>WFI</i>	2
Bi 2-GT12-AZ33X/S34		T1304052	<i>WFI</i>	2	2-Wire AC/DC


Voltage	Switching Freq. (Hz)	Operating Current (mA)	Operating Temp. (°C)	Protection	Housing	Face	End Cap	Power LED	Output LED	Cable Length/ Cable Mat.	Wiring Diagram #	Wiring Diagrams
10-65 VDC	1000	≤100	-25 to +70	IP 67	AG	WG	EPTR	N/A	YE	2M/PVC	1	Diagram 1
10-30 VDC	2000	≤200	-25 to +70	IP 67	WG	WG	EPTR	N/A	YE	2M/PVC	2	
	2000	≤200	-25 to +70	IP 67	CPB	PA 12	EPTR	N/A	YE	2M/PVC	2	
	2000	≤200	-25 to +70	IP 67	CPB	PA 12	EPTR	N/A	YE	2M/PVC	2	
10-30 VDC	2000	≤200	-25 to +70	IP 67	CPB	PA 12	EPTR	N/A	YE	2M/PVC	3	Diagram 2
	2000	≤200	-25 to +70	IP 67	CPB	PA 12	EPTR	N/A	YE	2M/PVC	3	
5-30 VDC	5000	Remote	-25 to +70	IP 67	SS	PA 12	EPTR	N/A	YE	2M/PVC	4	Diagram 3
	5000	Remote	-25 to +70	IP 67	CPB	PA 12	EPTR	N/A	N/A	2M/PVC	4	
	5000	Remote	-25 to +70	IP 67	CPB	PA 12	EPTR	N/A	YE	2M/PVC	4	
10-30 VDC	2000	≤200	-25 to +70	IP 67	SS	PA 12	EPTR	N/A	YE	2M/PVC	2	Diagram 4
	2000	≤200	-25 to +70	IP 67	CPB	PA 12	EPTR	N/A	YE	2M/PVC	2	
	2000	≤150	-25 to +70	IP 67	CPB	PA 12	EPTR	N/A	YE	2M/PVC	2	
	2000	≤200	-25 to +70	IP 67	CPB	PA 12	EPTR	N/A	YE	2M/PVC	2	
10-30 VDC	2000	≤200	-25 to +70	IP 67	SS	PA 12	EPTR	N/A	YE	2M/PVC	3	Diagram 5
	2000	≤200	-25 to +70	IP 67	CPB	PA 12	EPTR	N/A	YE	2M/PVC	3	
20-250 VAC 10-300 VDC	20	≤100	-25 to +70	IP 67	CPB	PA 12	EPTR	N/A	YE	2M/PVC	5	Diagram 3
	20	≤100	-25 to +70	IP 67	CPB	PA 12	EPTR	N/A	YE	2M/PVC	5	
35-250 VAC 10-300 VDC	20	≤100	-25 to +70	IP 67	CPB	PA 12	EPTR	N/A	YE	2M/PVC	5	Diagram 4
20-250 VAC 10-300 VDC	20	≤100	-25 to +70	IP 67	TC	TC	EPTR	N/A	YE	2M/PVC	5	Diagram 5
35-250 VAC 10-300 VDC	20	≤100	-25 to +70	IP 67	TC	TC	EPTR	N/A	YE	2M/PVC	5	Diagram 5



WIRING DIAGRAM	LOCKNUT LN-M12	SPECIFICATIONS																																													
 <p>OUTPUT: AZ33X</p> <p>WARNING: NO SHORT-CIRCUIT PROTECTION. ALWAYS WIRE A LOAD IN SERIES WITH THE SENSOR.</p>		<table border="1"> <tr><td>OPERATING VOLTAGE</td><td>35-250 VAC/DC</td></tr> <tr><td>LINE FREQUENCY</td><td>40-60 Hz</td></tr> <tr><td>DIFFERENTIAL TRAVEL (HYSTERESIS)</td><td>3-15% (5% TYPICAL)</td></tr> <tr><td>VOLTAGE DROP ACROSS CONDUCTING SENSOR</td><td>≤11.0 V at 100 mA</td></tr> <tr><td>OUTPUT FUNCTION -AZ</td><td>NORMALLY OPEN 2-WIRE AND SELF-CONTAINED</td></tr> <tr><td>SHORT-CIRCUIT PROTECTED</td><td>NO</td></tr> <tr><td>CONTINUOUS LOAD CURRENT</td><td>≤200 mA</td></tr> <tr><td>OFF-STATE (LEAKAGE) CURRENT</td><td>≤1.7 mA</td></tr> <tr><td>MINIMUM LOAD CURRENT</td><td>≥5.0 mA</td></tr> </table>	OPERATING VOLTAGE	35-250 VAC/DC	LINE FREQUENCY	40-60 Hz	DIFFERENTIAL TRAVEL (HYSTERESIS)	3-15% (5% TYPICAL)	VOLTAGE DROP ACROSS CONDUCTING SENSOR	≤11.0 V at 100 mA	OUTPUT FUNCTION -AZ	NORMALLY OPEN 2-WIRE AND SELF-CONTAINED	SHORT-CIRCUIT PROTECTED	NO	CONTINUOUS LOAD CURRENT	≤200 mA	OFF-STATE (LEAKAGE) CURRENT	≤1.7 mA	MINIMUM LOAD CURRENT	≥5.0 mA	<table border="1"> <tr><td>INRUSH CURRENT</td><td>≤1.0 A (≤10 ms/5 Hz)</td></tr> <tr><td>TIME DELAY BEFORE AVAILABILITY</td><td>≤8 ms</td></tr> <tr><td>POWER-ON EFFECT PROTECTION</td><td>INCORPORATED</td></tr> <tr><td>PROTECTION AGAINST TRANSIENTS</td><td>5 kV, 10 ms, 10 kΩ</td></tr> <tr><td>OPERATING TEMPERATURE</td><td>-25°C to +70°C (-13°F to +158°F)</td></tr> <tr><td>ENCLOSURE</td><td>MEETS NEMA 1, 3, 4, 6, 13 AND IEC IP67</td></tr> <tr><td>SHOCK</td><td>30 g, 11 ms</td></tr> <tr><td>VIBRATION</td><td>95 Hz, 1 mm AMPLITUDE (BY ALL 3 PLANES)</td></tr> <tr><td>LED FUNCTION</td><td>RED: OUTPUT ENERGIZED</td></tr> <tr><td>SENSING RANGE</td><td>2 mm = .079" (NOMINAL)</td></tr> <tr><td>SWITCHING FREQUENCY</td><td>20 Hz</td></tr> <tr><td>REPEATABILITY</td><td>≤2% OF RATED OPERATING DISTANCE</td></tr> <tr><td>EMBEDDABLE (SHIELDED)</td><td>YES</td></tr> </table>	INRUSH CURRENT	≤1.0 A (≤10 ms/5 Hz)	TIME DELAY BEFORE AVAILABILITY	≤8 ms	POWER-ON EFFECT PROTECTION	INCORPORATED	PROTECTION AGAINST TRANSIENTS	5 kV, 10 ms, 10 kΩ	OPERATING TEMPERATURE	-25°C to +70°C (-13°F to +158°F)	ENCLOSURE	MEETS NEMA 1, 3, 4, 6, 13 AND IEC IP67	SHOCK	30 g, 11 ms	VIBRATION	95 Hz, 1 mm AMPLITUDE (BY ALL 3 PLANES)	LED FUNCTION	RED: OUTPUT ENERGIZED	SENSING RANGE	2 mm = .079" (NOMINAL)	SWITCHING FREQUENCY	20 Hz	REPEATABILITY	≤2% OF RATED OPERATING DISTANCE	EMBEDDABLE (SHIELDED)	YES
OPERATING VOLTAGE	35-250 VAC/DC																																														
LINE FREQUENCY	40-60 Hz																																														
DIFFERENTIAL TRAVEL (HYSTERESIS)	3-15% (5% TYPICAL)																																														
VOLTAGE DROP ACROSS CONDUCTING SENSOR	≤11.0 V at 100 mA																																														
OUTPUT FUNCTION -AZ	NORMALLY OPEN 2-WIRE AND SELF-CONTAINED																																														
SHORT-CIRCUIT PROTECTED	NO																																														
CONTINUOUS LOAD CURRENT	≤200 mA																																														
OFF-STATE (LEAKAGE) CURRENT	≤1.7 mA																																														
MINIMUM LOAD CURRENT	≥5.0 mA																																														
INRUSH CURRENT	≤1.0 A (≤10 ms/5 Hz)																																														
TIME DELAY BEFORE AVAILABILITY	≤8 ms																																														
POWER-ON EFFECT PROTECTION	INCORPORATED																																														
PROTECTION AGAINST TRANSIENTS	5 kV, 10 ms, 10 kΩ																																														
OPERATING TEMPERATURE	-25°C to +70°C (-13°F to +158°F)																																														
ENCLOSURE	MEETS NEMA 1, 3, 4, 6, 13 AND IEC IP67																																														
SHOCK	30 g, 11 ms																																														
VIBRATION	95 Hz, 1 mm AMPLITUDE (BY ALL 3 PLANES)																																														
LED FUNCTION	RED: OUTPUT ENERGIZED																																														
SENSING RANGE	2 mm = .079" (NOMINAL)																																														
SWITCHING FREQUENCY	20 Hz																																														
REPEATABILITY	≤2% OF RATED OPERATING DISTANCE																																														
EMBEDDABLE (SHIELDED)	YES																																														



SOURCE DRAWING - FOR REFERENCE ONLY

RELATED DOCUMENTS 1. 2. 3. 4.	3RD ANGLE PROJECTION 	THIS DRAWING IS PROPERTY OF TURCK INC. USE OF THIS DOCUMENT WITHOUT WRITTEN PERMISSION IS PROHIBITED.	TURCK INC High Technology Sensors and Automation Controls	
MATERIAL BRASS BARREL	TOLERANCES UNLESS OTHERWISE SPECIFIED .X ±0.02 .XX ±0.01 .XXX ±0.005 ANGLES ±1° ALL MILLIMETER DIMENSIONS ARE REFERENCED ONLY	DRAFT SWC DATE 06/02/94 SCALE 1=2.0	DESCRIPTION Bi 2-G12-AZ33X	
FINISH COPPER, NICKEL, CHROME PLATING	UNIT OF MEASUREMENT INCH [MILLIMETER]		IDENTIFICATION NO. T1304002	REV <input type="checkbox"/>
D UPDATE OPERATING VOLTAGE, SEE ECO REV DESCRIPTION	RWC 08/08/07 18320 BY DATE EDO NO.	DO NOT SCALE THIS DRAWING	FILE: T1304002	SHEET 1 OF 1