

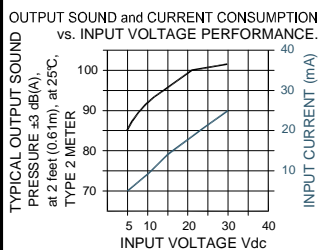
TXC-86-530-S



Made in
USA



- Patented Revolutionary Turbo Design
- Tamper Resistant Front-Mounting Case with Threaded Attachment Ring
- Corrosion Resistant Stainless Steel Diaphragm
- Reliable Piezoelectric Technology

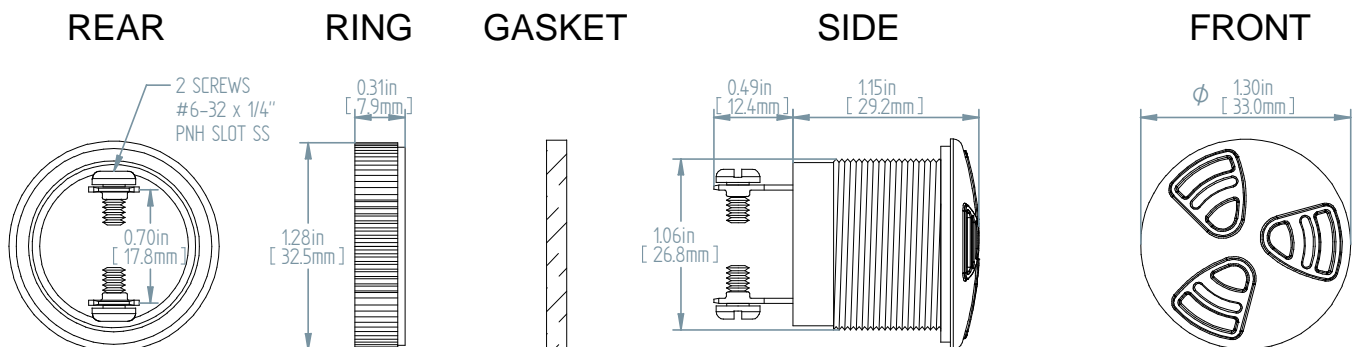


The Turbo TXC-86-530-S is an extra loud output, panel mounted alarm for operating voltages of 5-30Vdc. The Turbo design features a tamper resistant front-mounting case with threaded attachment ring.

SPECIFICATIONS

Operating Mode:	Extra Loud Continuous Tone
Operating Voltage:	5-30 Vdc
Nominal Operating Voltage:	24 Vdc
Operating Frequency:	2900 \pm 250 Hz.
Typical Operating Current:	5 mA at 5 Vdc 25 mA at 30 Vdc
Typical Sound Pressure:	85 \pm 5 dB(A), at 5 Vdc, at 24 inches (61 cm), at 25°C 103 \pm 5 dB(A), at 30 Vdc, at 24 inches (61 cm), at 25°C.
Termination:	0.25 (6.3) Wide Quick Connect Blades with 0.25 (6.3) Long 6x32 Stainless Steel Screws
Termination Strength:	Pull test with a maximum of 22 pounds (10 kg) load
Operating Temperature:	-20°C to +65°C.
Storage Temperature:	-40°C to +85°C.
Surge Voltage:	20% over maximum rated voltage for less than 5 minutes.
Reverse Voltage Protection:	To the maximum operating voltage.
Part Recognized By:	Underwriters Laboratory
Construction Materials:	Case- Plastic "NORYL® N-190", Flame Retardant UL 94-VO, Black Internal Circuit- Audio-oscillator and piezoelectric driver Potting- 2 parts epoxy resin or silicone, black Diaphragm- Stainless Steel 304 Gasket (Sold Separately)- 0.125" Thick, 60 Durometer Neoprene
Environmental Durability:	ASTM B117 Certified- Withstands exposure to salt spray for 300 hours IP 68 Certified- Withstands water submergence and dust exposure Humidity- 95% relative humidity at +40°C continuously for 100 hours. Vibration- Withstands vibration between 0 and 55 Hz. on all axes. 10 years under normal operating conditions.
Life Expectancy:	For a period of two years from the date of manufacture under normal operating conditions.
Warranty:	

DIMENSIONS



TOLERANCES ARE ± 0.03 in [± 0.76 mm] UNLESS OTHERWISE SPECIFIED

Floyd Bell Inc
An ISO 9001:2000 Registered Company

720 Dearborn Park Lane • Columbus, OH 43085
Tel: 888-FLOYD-BELL • Fax: 614/291-0823
www.floydbell.com

Revision: 4.09