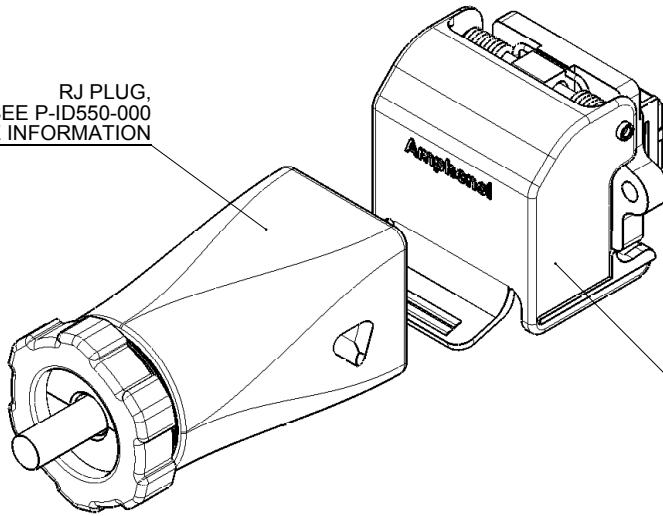


REV	DESCRIP	DATE	APPRVD

RJ PLUG,  
SEE P-ID550-000  
FOR MORE INFORMATION



RJ RECEPTACLE,  
SEE P-ID450-000  
FOR MORE INFORMATION

NOTES:

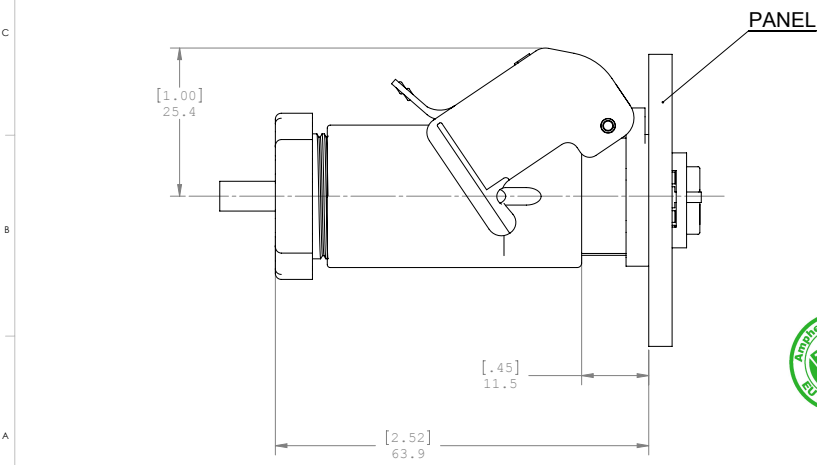
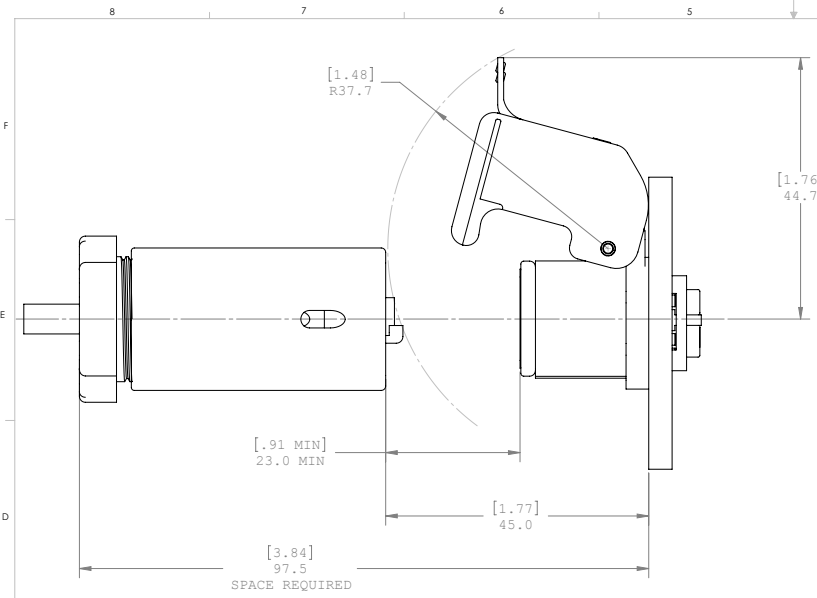
1. OPERATING TEMPERATURE: -40°C TO +85°C.
2. ENVIROMENT PERFORMANCE: IP67.
3. CONNECTOR IS ROHS COMPLIANT PER EU DIRECTIVE 2002/95/EC AND AMENDMENTS.
4. CONNECTOR IS ETHERNET CAT5 TEST COMPLIANT PER TIA/EIA 568B - ISO/IEC 11801 STANDARD.
5. PART NUMBER FOR ORDER IS ID750-000.



UNLESS OTHERWISE SPECIFIED DIMENSIONS ARE IN MILLIMETER TOLERANCES ARE:		APPROVALS	DATE	<b>Amphenol Canada Corp.</b>
DECIMALS	ANGLES	DRAWN	S.SEMENOV	
.XX ± .10	± 1°	DESIGNED	S.SEMENOV	FEB15/07
.X ± .25		CHECKED		
MATERIAL AND FINISH		QA APP'D		
REF.		IE APP'D		
CODE IDENT. NO.		DWG APP'D	A.GREEN	FEB15/07
				TITLE
				<b>RJ RECEPTACLE AND PLUG</b>
		SIZE	C	DWG. NO.
		SCALE	2.5:1	P-ID750-000
		PROJECT	ID	REV.
		SHEET	1 OF 2	A

DO NOT SCALE DRAWING  
THIS DOCUMENT CONTAINS PROPRIETARY INFORMATION AND SUCH INFORMATION MAY NOT BE DISCLOSED TO OTHERS FOR ANY PURPOSE  
OR USED FOR MANUFACTURING PURPOSES WITHOUT PERMISSION FROM AMPHENOL CANADA CORP.

REV	DESCRIP	DATE	APPRVD



UNLESS OTHERWISE SPECIFIED DIMENSIONS ARE IN MILLIMETER TOLERANCES ARE:		APPROVALS	DATE
DRAWN	S.SEMENOV		FEB15/07
DESIGNED	S.SEMENOV		FEB15/07
CHECKED			
QA APP'D			
IE APP'D			
DWG APP'D	A.GREEN		FEB15/07
CODE IDENT. NO.			

<b>Amphenol Canada Corp.</b>		
TITLE <b>RJ RECEPTACLE AND PLUG</b>		
SIZE C	DWG. NO. P-ID750-000	REV. A
SCALE 2:1	PROJECT ID	SHEET 2 OF 2

DO NOT SCALE DRAWING  
THIS DOCUMENT CONTAINS PROPRIETARY INFORMATION AND SUCH INFORMATION MAY NOT BE DISCLOSED TO OTHERS FOR ANY PURPOSE OR USED FOR MANUFACTURING PURPOSES WITHOUT PERMISSION FROM AMPHENOL CANADA CORP.