

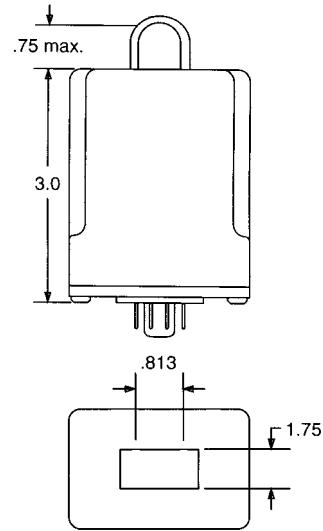
CMB SERIES



AC Go/No-Go Current Monitor/Relays



DIMENSIONS INCHES



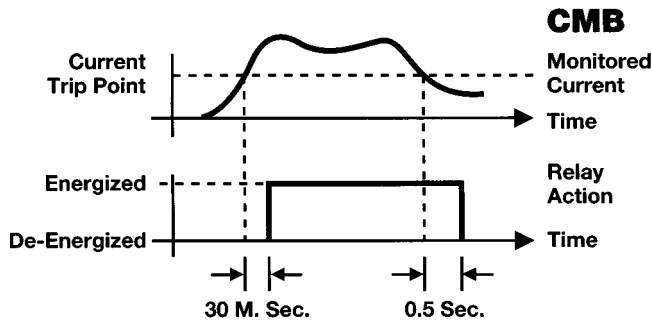
FEATURES

- No physical connection to the AC line that is being monitored
- Magnetically coupled by passing supply line through protruding Current Transformer
- Heavy Duty Contacts
- 8-Pin, Plug-in
- Low Cost
- Easy Installation

OPERATION

The CMB Series relay is used to detect the presence of AC current. When the monitored current exceeds the trip point for longer than 30 milliseconds, the internal relay energizes. When the monitored current drops below the trip point for longer than 0.5 seconds, the internal relay de-energizes. The Delay-on-Release is incorporated to prevent nuisance tripping caused by momentary dips in the load line.

An External CT may be used to extend the range of the Current Monitor.



ORDER INFORMATION CMB-XXX-XFA-XX

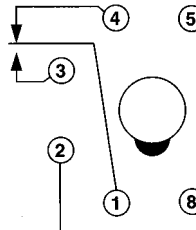
CONTROL VOLTAGE

- 24-A 24 Volts AC
- 24-D 24 Volts DC
- 120-A 120 Volts AC

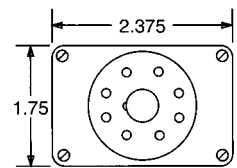
CURRENT TRIP POINTS

- | | |
|----------|------------|
| 1 1 amp | 2 2 amps |
| 3 3 amps | 4 4 amps |
| 5 5 amps | 6 6 amps |
| 7 7 amps | 8 8 amps |
| 9 9 amps | 10 10 amps |

WIRING



CONTROL VOLTAGE



SPECIFICATIONS

- CATALOG NUMBER:** CMB-XXX-AFA-XX
- CONTROL VOLTAGE:** 24 or 120 VAC; 50/60 Hz, 24 VDC
- AC INPUT CURRENT:** Up to 50 Amps
- TRIP POINT:** 1-10 Amps, Fixed
- RESPONSE TIMES**
 - Operate: 30 Milliseconds
 - Release: 0.5 Seconds
- TEMPERATURES**
 - Operate: 32° to 131°F (0° to +55°C)
 - Storage: -49° to 185°F (-45° to +85°C)
- POWER CONSUMPTION:** 3 Watts (Approximately)
- OUTPUT:** SPDT, 10 Amps @ 240 VAC Resistive; 211 VA @ 120 VAC Inductive; 1/6 Horsepower @ 120 VAC or 1/3 Horsepower @ 240 VAC
- LIFE EXPECTANCY**
 - Mechanical: 10 Million Operations (Minimum)
 - Electrical: 100,000 Operations @ Rated Load
- DUTY CYCLE:** Continuous
- ENCLOSURE:** Lexan Dust Cover; 8-Pin plug-in
- SOCKETS:** RB-08 or PF083A

CURRENT MONITORS