

Mini Incandescents

T-1 1/2 Bulb

Line No.	Part Number	Category	Base Type	Design Volts	Design Amps	MSCD	Filament Type	Rated Life	Fig No.	Foot Notes
2	7371		Bi-Pin	12	0.04	0.1	C-2F	10,000	47	
5	73		W2.1x4.9d	14	0.08	0.3	C-2F	15,000	44	
6	7382		Bi-Pin	14	0.08	0.3	C-2F	15,000	47	
7	7387		Bi-Pin	28	0.04	0.3	C-2F	7,000	47	

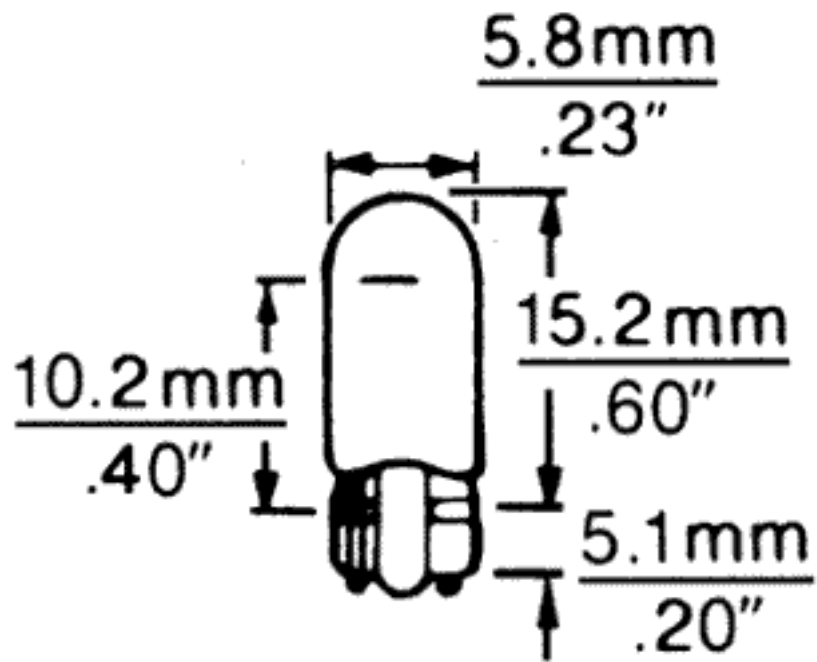


Fig. 44