

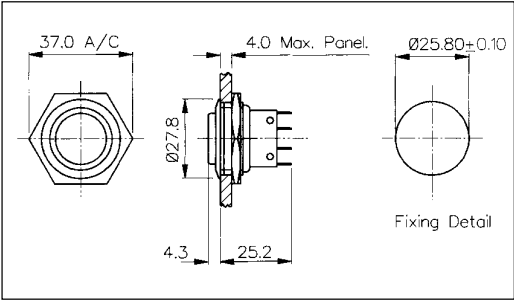
Stainless Steel Prominent Button Vandal Resistant

FRONT PANEL MOUNTING



- 28mm diameter
- Prominent Button
- S.P.C.O. Microswitch
- 5A, 250V a.c.

MP0027/2

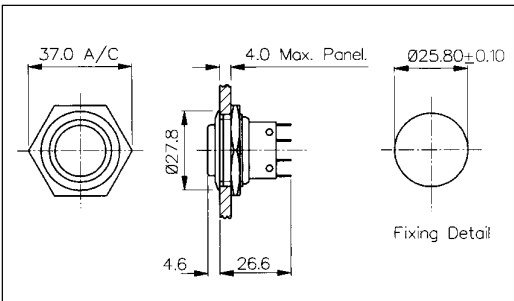


FRONT PANEL MOUNTING



- Front Panel Sealed to IP66
- 28mm diameter
- Prominent Button
- S.P.C.O. Microswitch
- 5A, 250V a.c.

MP0038/2
Sealed to IP66

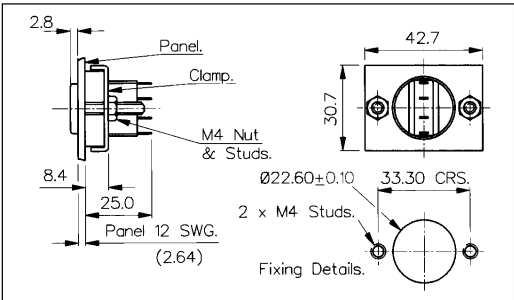


REAR PANEL MOUNTING



- 22mm diameter
- Prominent Button
- S.P.C.O. Microswitch
- 5A, 250V a.c.

MP0025/2



Specification	MP0027/2	MP0038/2	MP0025/2
Terminations:	Solder Tags	Solder Tags	Solder Tags
Switching:	S.P.C.O. Momentary Action (Microswitch)	S.P.C.O. Momentary Action (Microswitch)	S.P.C.O. Momentary Action (Microswitch)
Max. Rating:	5A, 250V a.c.	5A, 250V a.c.	5A, 250V a.c.
Contact Resistance:	<10mΩ	<10mΩ	<10mΩ
Insulation Resistance:	>10 ³ MΩ	>10 ³ MΩ.	>10 ³ MΩ
Dielectric Strength:	>2.0kV a.c.	>2.0kV a.c.	>2.0kV a.c.
Operating Temp. Range:	-20°C to +70°C	-20°C to +70°C	-20°C to +70°C
Sealing (Front of panel only):	-	Protection Classification: IP66 EN60529 1992 (Micro switch not sealed)	-
Operations			
Mechanical:	1,000,000 (min)	1,000,000 (min)	1,000,000 (min)
Electrical:	35,000 (min)	35,000 (min)	35,000 (min)
Operating Pressure:	7.5N (typ)	12.5N (typ)	6.1N (typ)
Rear Nut Fixing Torque:	2.5Nm	1.13Nm	-
Materials			
Mouldings:	Glass Filled Nylon	Glass Filled Nylon	Glass Filled Nylon
Tags/Terminations:	Brass, Tin Plated	Brass, Tin Plated	Brass, Tin Plated
Switch Body & Button:	Stainless Steel	Stainless Steel	Stainless Steel
Contacts:	Fine Silver	Fine Silver	Fine Silver
Variants:	Engraved Button, Non-Rotating Button, details on request	Engraved Button, Non-Rotating Button, details on request	Engraved Button, Non-Rotating Button, details on request
RoHS	Compliant	Compliant	Compliant

SWITCHES