

# MODEL 850

## Two-Hand Control Module

- Continuous or Pulse Modes
- AC or DC Versions
- Socket-Mounted Design
- 5-Year Unconditional Warranty

### DESCRIPTION

The **Model 850 Two Hand Control Module** is designed to be used with two palm or pushbutton switches, which must be closed within 0.5 seconds of each other to operate machinery. As long as both switches are pressed, the relay will remain energized in the continuous mode.

For applications requiring a pulse to initiate operations, the Model 850 can be set to produce a pulse output by connecting a resistor to pins 4 and 7. The resistor value in ohms should be 100,000 times the desired time in seconds ( $R=100,000 \times T$ ).

The internal relay de-energizes on completion of the pulse, even if both switches are depressed. The relay de-energizes immediately, if either hand switch is released, in standard or pulsed mode.

The compact size of the Two-Hand Control Module allows installation into an existing control panel. It can be used with any type of machinery requiring safe, two-handed operation such as presses, punches, cutters, etc. The standard nominal supply voltages are 120VAC, 240VAC, 24VAC, 24VDC. Other voltage versions may be available by special request.



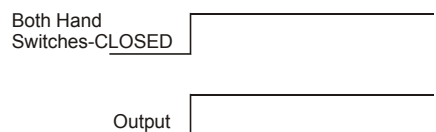
### SPECIFICATIONS

MODEL	850-120VAC	850-240VAC	850-24VAC	850-24VDC
Supply Voltage	120VAC	240VAC	24VAC	24VDC
Max. Input Voltage	135VAC	265VAC	28VAC	28VDC
Min. Input Voltage	105VAC	215VAC	22VAC	22VDC
Power Consumption	2 W			
Transient Protection	2500V FOR 10 msec			
Pulse Time/Resistance	Minimum: 50 msec/5K ohms Maximum: 10 sec/1 megohm			
Input Switch Resistance	100 ohms max.			
Expected Relay Life	Mech: 10 million operations Elec: 100,000 operations at rated load			
Contact Rating	SPDT 10A at 240VAC resistive			
Operating Temperature	- 40° to +131° F			
Humidity Tolerance	0 - 97% w/o condensation			
Case Material	ABS plastic			
Weight	5 oz.			
Mounting	11-pin socket (*not included)			

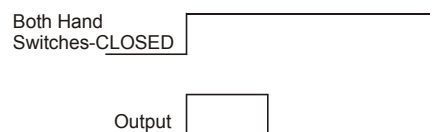
\* order 11-pin socket number 51X016

### OPERATIONS

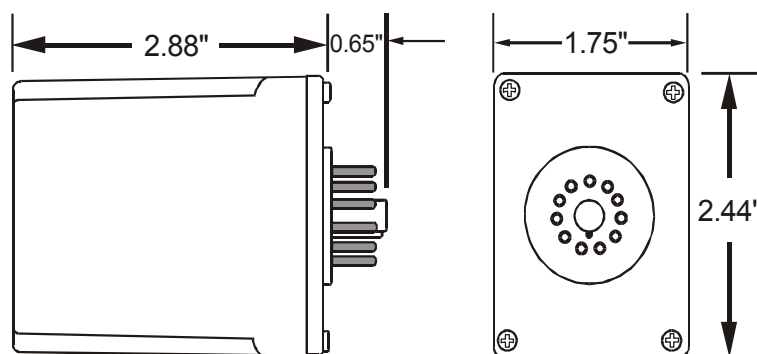
#### STANDARD OPERATION (without resistor)



#### PULSED OUTPUT OPERATION (with resistor)



### DIMENSIONS



(dimensions have tolerance of  $\pm 0.06$ )



**TIME MARK**  
CORPORATION