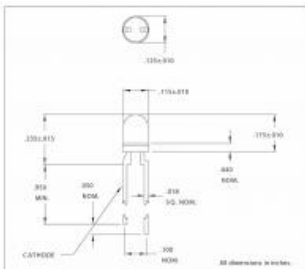




Products

LEDs

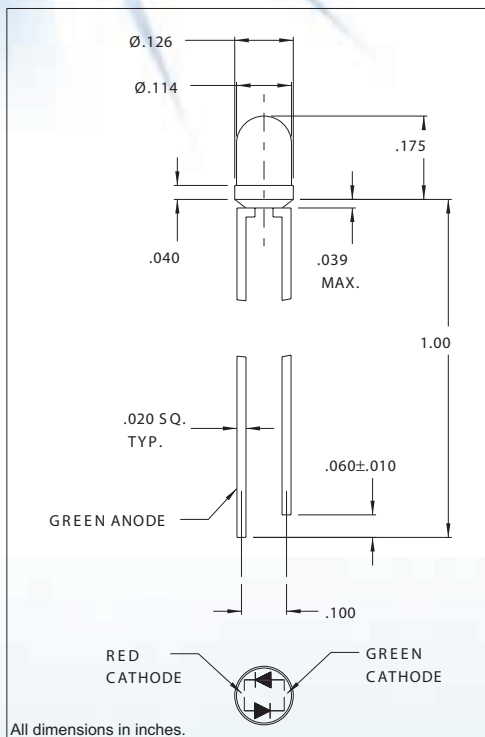
CML IT is a world leader in the manufacturing of LEDs and LED assemblies. CML offers a wide variety of products utilizing LEDs as a light source. Our line of discrete LEDs consists of both through hole and SMT products in all of the standard industry sizes including 3mm, 5mm, 0603, 0805, 1206, PLCC and any others. All CML-IT LEDs are available off-the-shelf in a wide variety of colors and intensities. Binning for through LEDs is one competitive service of CML Innovative Technologies, please contact us.



Part Number: 4301F1/5
Serial Number: 4301F
LED Type: THRU HOLE
Industry Size: T-1
Metric Size: 3.0 mm
Output Color: RED/GREEN
Epoxy: WHITE DIFFUSED
Peak Wave length (nm): 660/565
Minimum MCD: 3.7/1.1
Typical MCD: 12.6/3.7
Forward Volt (Typical): 1.8/2.1
Forward Volt (Max): 2.4/2.8
Rate Current (mA): 20
Viewing Angle (°): 100
Operating Temperature:
Storage Temperature:
Power Dissipation: 100
Cont Forward Current Max: 30.0/40.0
RoHS Status: Yes

4301F1/5, F11/17, F15/17 Series Solid State LED Lamps Bi-Color Super Brite T-1 (3mm)

DESCRIPTION AND FEATURES



- Dual chip
- Uniformity of output color
- Wide viewing angle
- White diffused

ELECTRO-OPTICAL CHARACTERISTICS AND RATINGS

PART NUMBER	4301F1/5		4301F11/17		4301F15/17	
	Red	Green	Red	Yellow	Green	Yellow
Output Color	Red	Green	Red	Yellow	Green	Yellow
Diffusion	Diffused	Diffused	Diffused	Diffused	Diffused	Diffused
Package Color	White	White	White	White	White	White
Test Current (mA)	20	20	20	20	20	20
Forward Voltage Typ. (V)	1.8	2.1	2.0	2.1	2.2	2.1
Forward Voltage Max. (V)	2.4	2.8	2.0	2.1	2.5	2.5
Luminous Intensity Min. (mcd)	3.7	1.1	8.0	5.0	8.0	5.0
Luminous Intensity Typ. (mcd)	12.6	3.7	40	20	20	40
Rated Current (mA)	20	20	10	10	20	20
Peak Wavelength (nm)	660	565	625	590	565	590
Viewing Angle (degrees)	100	100	60	60	60	60
Power Dissipation (mW)	100	100	105	105	105	105
Continuous Forward Current Max. (mA)	30	40	30	30	25	30
Reverse Breakdown Voltage Min. (V)	5.0	5.0	5.0	5.0	5.0	5.0