

ROTRON® Regenerative Blowers

Filtration Accessories

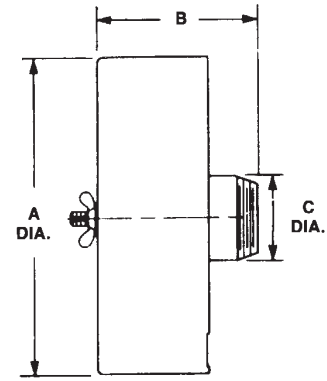
Blower Connection Key	
NPT	American National Standard Taper Pipe Thread (Male)
NPSC	American National Standard Straight Pipe Thread for Coupling (Female)
SO	Slip On (Smooth – No Threads)

Inlet Filter (Single Connection)

Inlet Filters protect the blower and the air distribution system from dust, and other airborne particles and contaminants. Normally used in pressure systems.

SPECIFICATIONS:

- HOUSING – Steel
- MEDIA – Polyester
- EFFICIENCY – 97-98% (8 to 10 micron particle size)
- FILTER ELEMENT – Replaceable (see filter elements)
- NOTE: “Z” MEDIA (1 to 3 micron particle size) available



Standard Media Filter P/N	Filter Element	Reference Blower Model	Connection		Dimensions (Inches)			Z Media Filter Part Number
			Inlet		A	B	C	
477411	271078	A	2.00 SO		4.56	6.12	2.00	
516466	515132	B	1.00 NPT		6.00	6.50	1.00	517865
515122	515132	C,D	1.50 NPT		6.00	6.50	1.50	517866
515123	515133	E	2.00 NPT		7.75	7.25	2.00	517867
515124	515134	E	2.00 NPT		10.00	12.25	2.00	517868
515125	515134	F	2.50 NPT		10.00	12.50	2.50	517869
515145	515134	G	3.00 NPT		10.00	13.00	3.00	517870
515151	515135	H	4.00 NPT		10.00	14.00	4.00	517871
516511	516515	H	6.00 NPT		16.00	15.00	6.00	517872

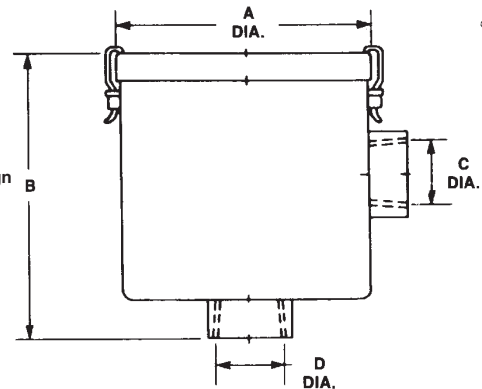
Inline Filter (Dual Connection)

Inline Filters protect the blower from harmful dust and other particles that may be drawn into the blower through the air distribution system. Normally used in vacuum systems.

Inline filter PN 271200 is a straight through design
Inlet “C” is directly opposite of outlet “D”

SPECIFICATIONS:

- HOUSING – Steel
- MEDIA – Polyester
- EFFICIENCY – 97-98% (8 to 10 micron particle size)
- FILTER ELEMENT – Replaceable (see filter elements)
- NOTE: “Z” MEDIA (1 to 3 micron particle size) available



Standard Media Filter P/N	Filter Element	Reference Blower Model	Connection		Dimensions (Inches)				Z Media Filter Part Number
			Inlet	Outlet	A	B	C	D	
271200	271078	A	1.75 SO	2.00 SO	5.25	8.31	2.00	1.75	
516461	516434	B	1.00 NPSC-F	1.00 NPSC-F	7.25	6.50	1.00	1.00	517886
515254	516434	C,D	1.50 NPSC-F	1.50 NPSC-F	7.00	6.50	1.50	1.50	517887
515255	516435	E	2.00 NPSC-F	2.00 NPSC-F	8.00	10.25	2.00	2.00	517888
515256	516435	F	2.50 NPSC-F	2.50 NPSC-F	8.00	10.25	2.50	2.50	517889
516463*	515135	G	3.00 NPT-M	3.00 NPT-M	14.00	26.50	3.00	3.00	517890
516465*	515135	H	4.00 NPT-M	4.00 NPT-M	14.00	27.00	4.00	4.00	517891
517611*	516515	H	6.00 NPT-M	6.00 NPT-M	18.00	28.00	6.00	6.00	517892

* Feature 1/4" threaded tap for gauge connection on inlet and outlet

Rev. 2/04

