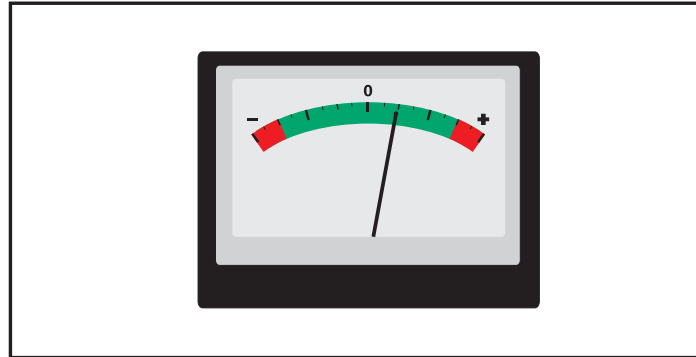


This low cost, compact indicator is ideally suited for low or high volume applications. The meter features a 17 segment LCD to display 0-1V or -1V-0-1V d.c. full scale reading. Other voltages and currents can be indicated via the addition of 2 external scaling resistors. The meter can be used in applications where the order of magnitude of the reading is more important than the value of the reading itself. It allows the operator to scan the display and receive a quick visual feedback. The module is mounted into the panel, using the supplied clip. A rubber seal is included, providing splashproof protection for the unit when fitted to the meter during installation.

- 🔊 17 Segment LCD
- 🔊 LED Backlighting
- 🔊 Colour Scale
- 🔊 0-1V and -1V-0-1V d.c. Ranges
- 🔊 No Calibration Required
- 🔊 Screw Terminal Connection
- 🔊 Splashproof



ORDERING INFORMATION

Standard Indicator

Stock Number
SP 5-1710-BL

ELECTRICAL SPECIFICATIONS

Specification	Min.	Typ.	Max.	Unit
Accuracy (overall error)*		1		Segment (± 1)
Full scale reading	(left/right hand zero position)	0	1	V d.c.
	(centre zero position)	-1	1	V d.c.
Resolution	(left/right hand zero position)	62.5		mV d.c.
	(centre zero position)	125		mV d.c.
Sample rate		4		samples/sec
Operating temperature range	0		50	$^{\circ}\text{C}$
Supply voltage (meter only, not LED backlighting)	5	9	12	V d.c.
Supply current (meter only, not LED backlighting)		6	10	mA
Supply voltage for LED backlighting**	4.5	5	5.5	V d.c.
Supply current for LED backlighting @5V d.c.**		50		mA

* At voltages above 1V d.c. or below -1V d.c., the display flashes.

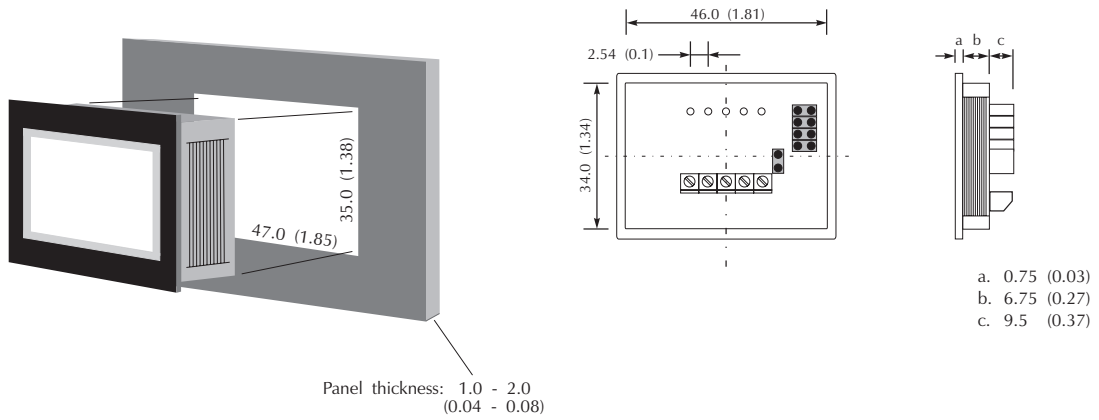
** For backlighting supply voltages in excess of 5Vd.c., consult Various Operating Modes on page 4.

SAFETY

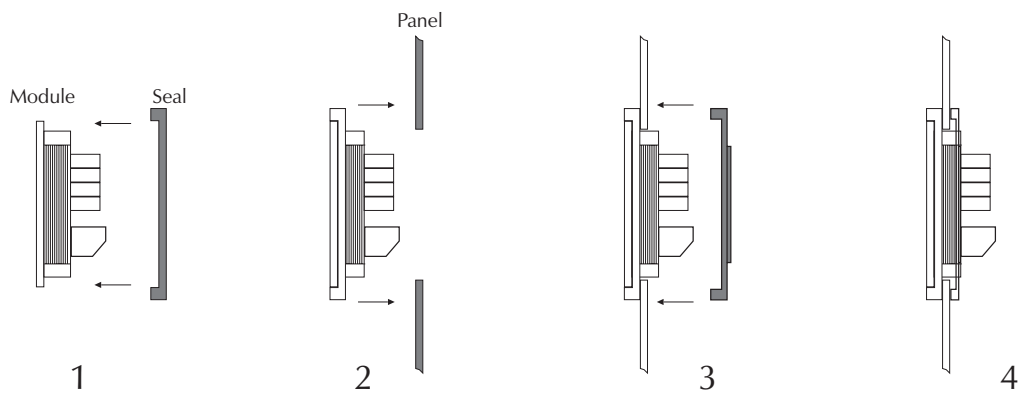
To comply with the Low Voltage Directive (LVD 93/68/EEC), input voltages to the module's pins must not exceed 60Vdc. The user must ensure that the incorporation of the panel meter into the user's equipment conforms to the relevant sections of BS EN 61010 (Safety Requirements for Electrical Equipment for Measuring, Control and Laboratory Use).

DIMENSIONS

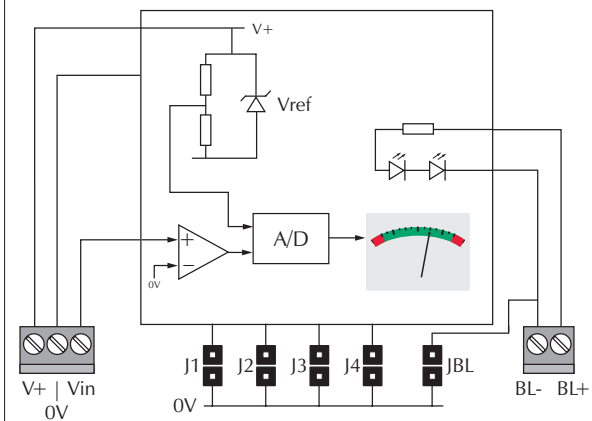
All dimensions in mm (inches)



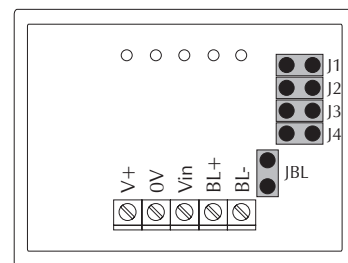
PANEL FITTING



FUNCTIONAL BLOCK DIAGRAM



CONNECTIONS (rear view)



Specifications liable to change without prior warning SP 5-1710-BL

Issue 1

M.C. Applies to SP 5-1710/2